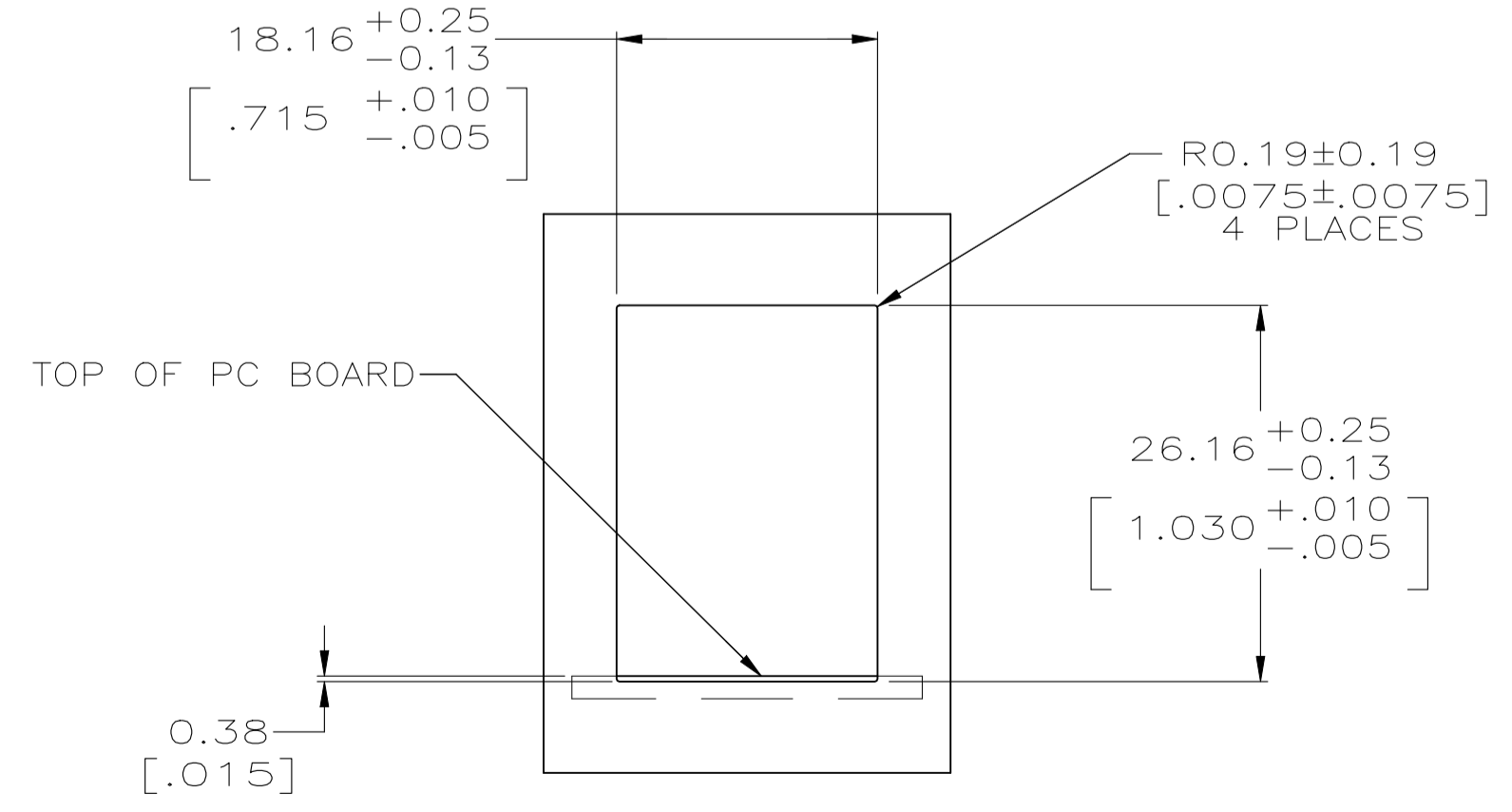
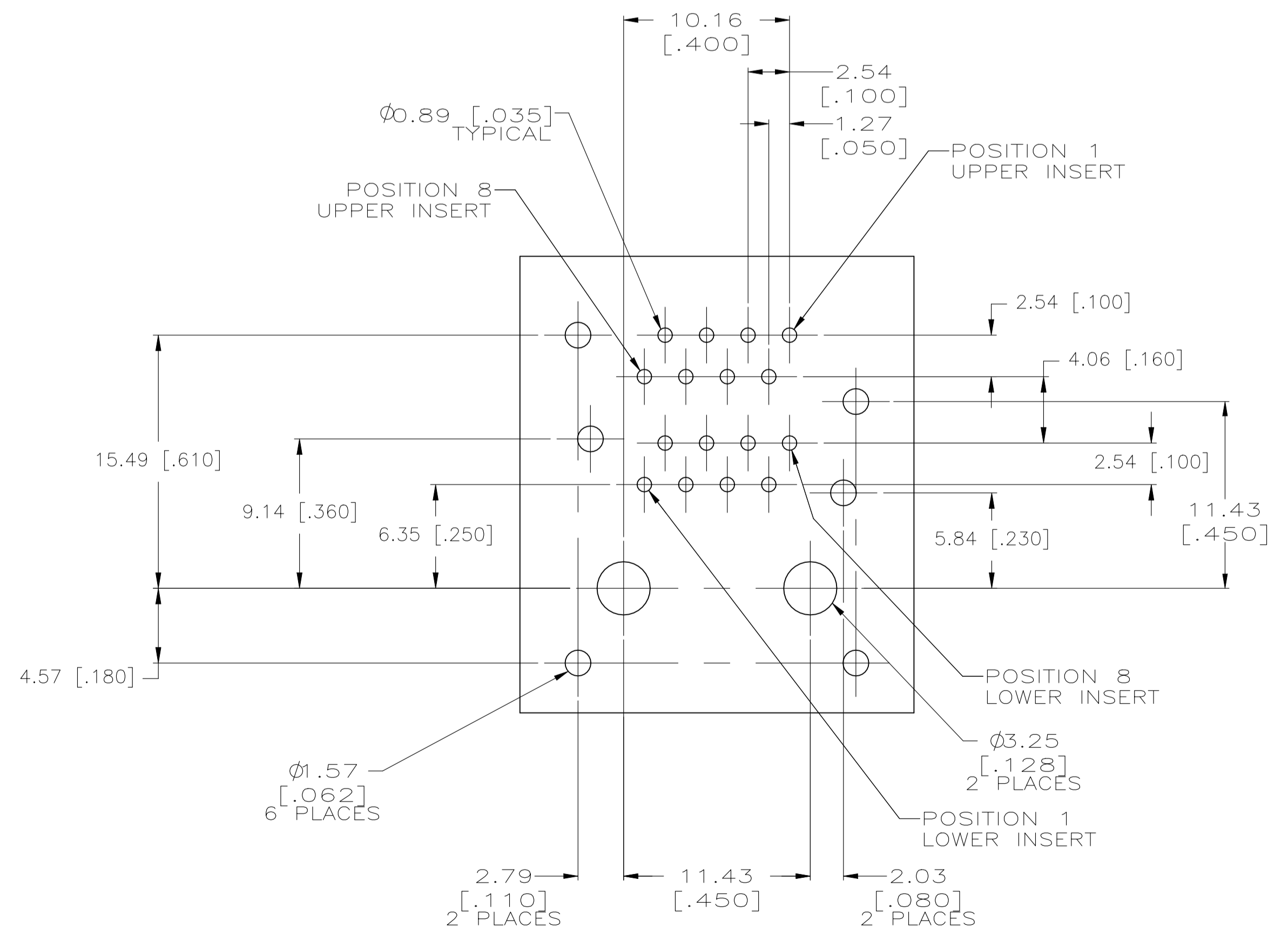
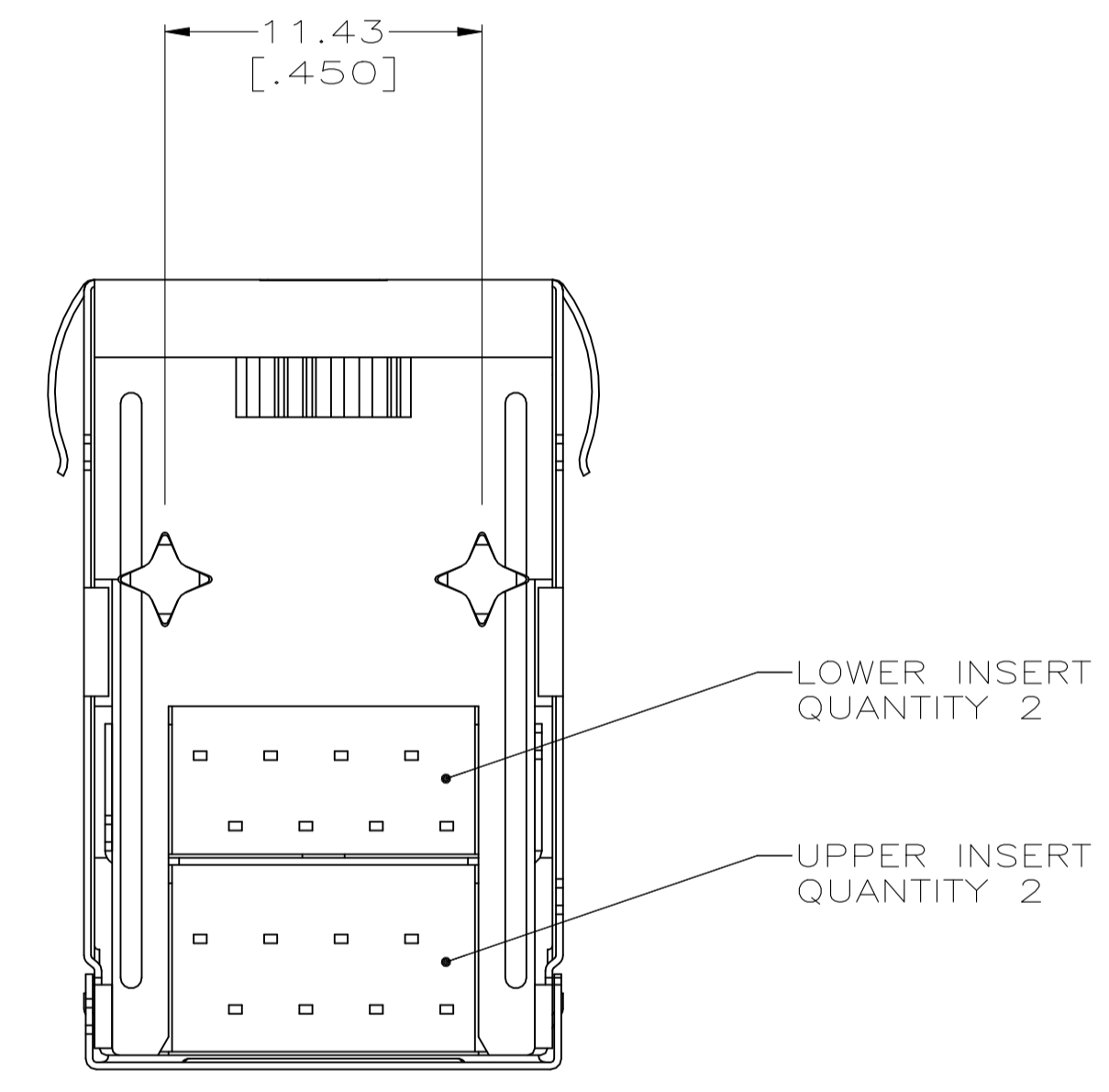
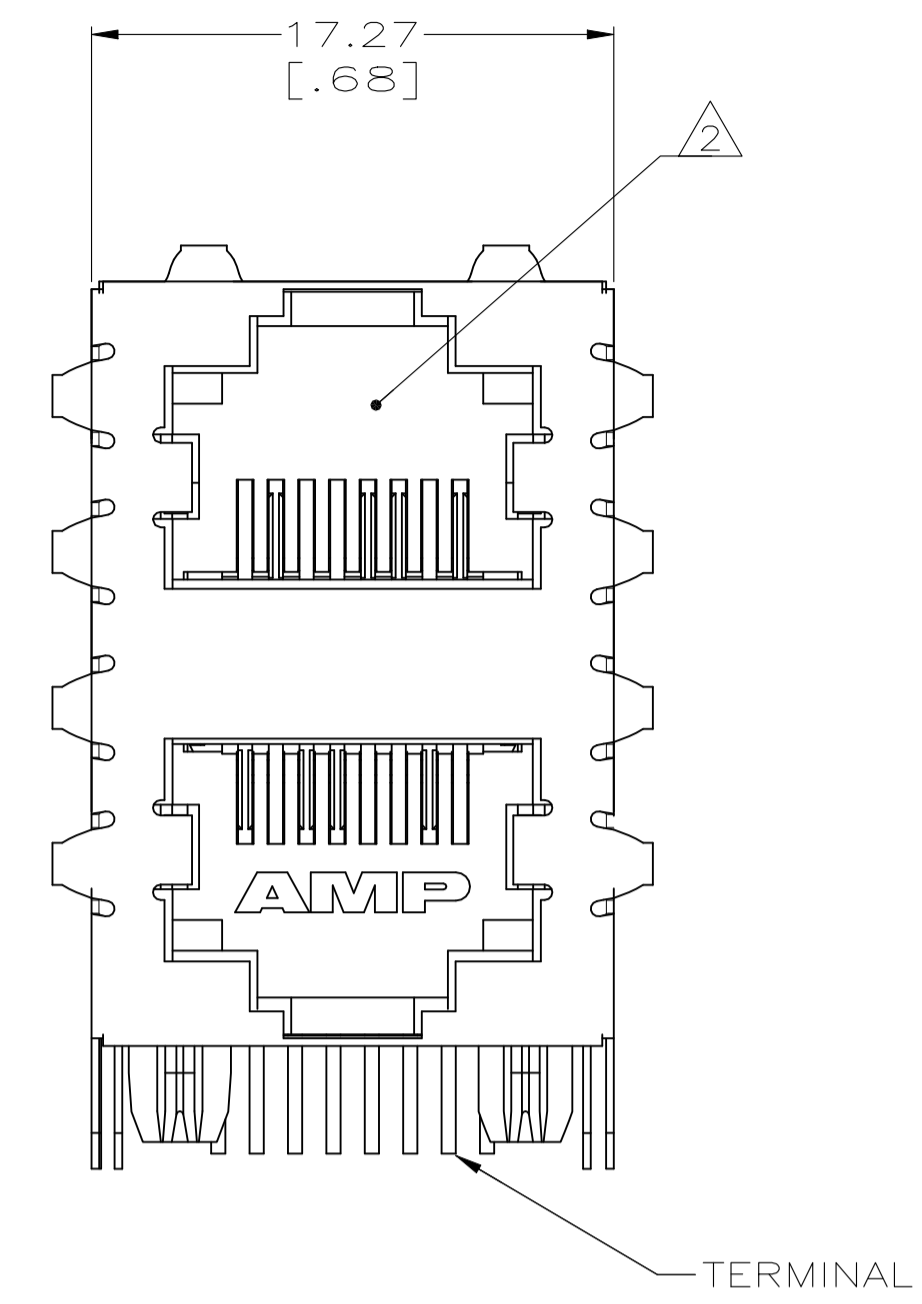
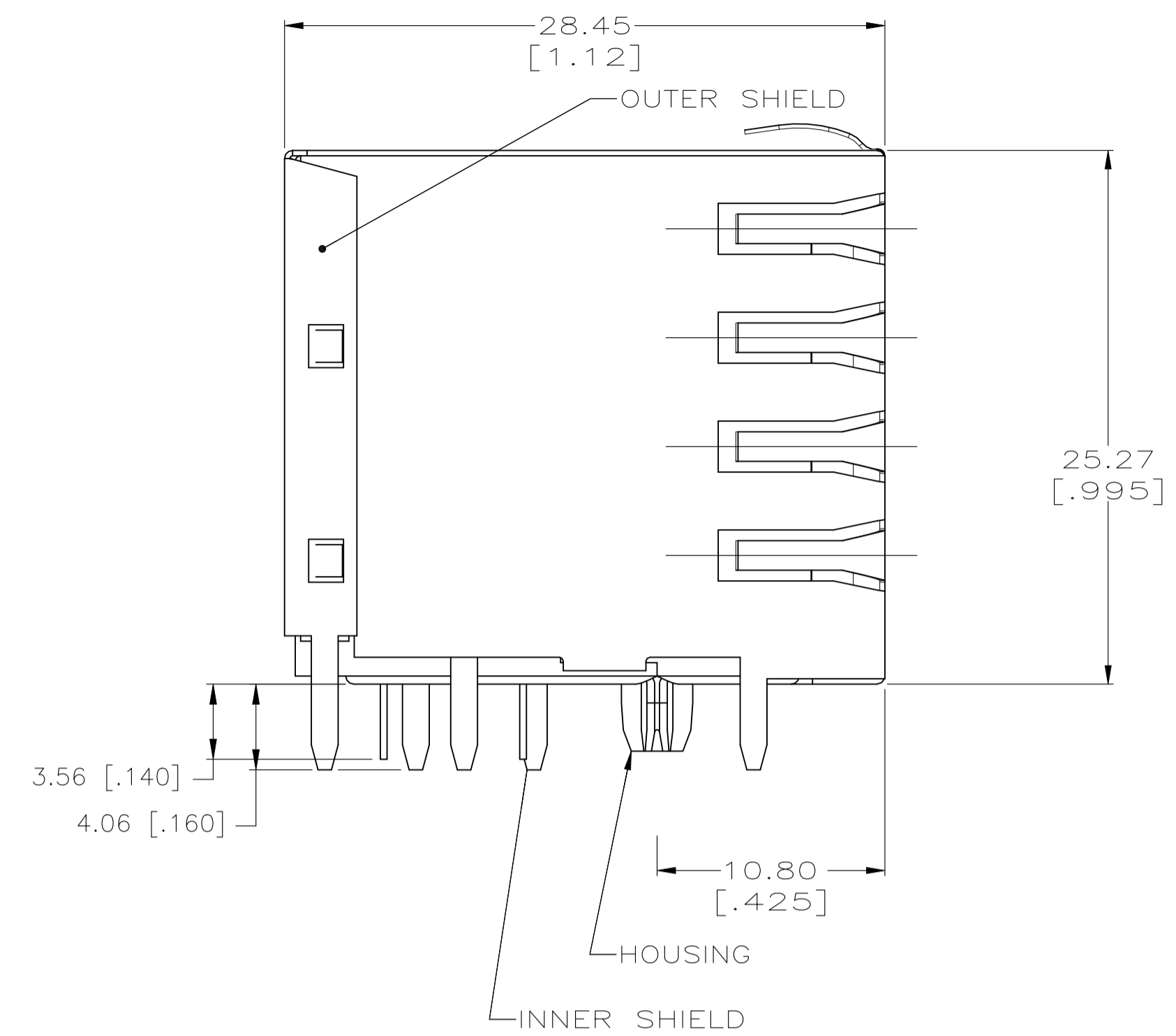
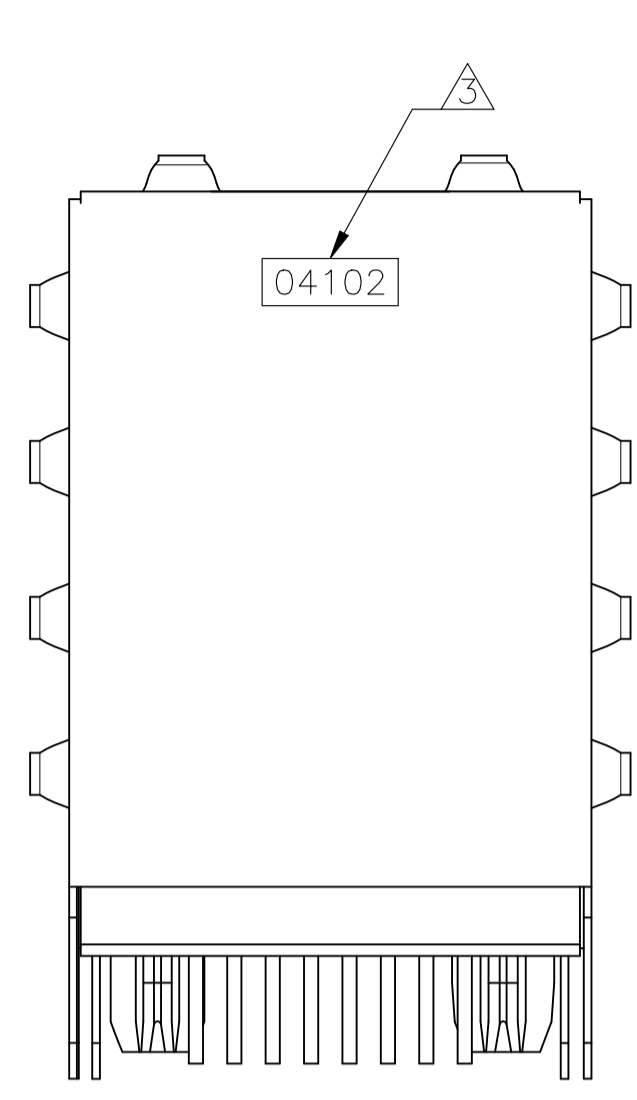


REVISIONS					
REV	DESCRIPTION	DATE	BY	CHK	APP'D
A1	MODIFIED AS PER ECR-23-169440	31MAR2023	KV	HW	



- MATERIAL:
HOUSING - PCT POLYESTER, BLACK, UL94V-0.
OVERMOLDED TERMINAL ARRAY - PBT, BROWN.
TERMINALS - 0.33 [.013] THICK PHOS BRONZE PLATED WITH 1.27um [.000050] MIN THICK HARD GOLD IN LOCALIZED AREA AND 3.81um [.000150] MIN THICK MATTE TIN IN SOLDER AREA OVER 1.27um [.000050] MIN THICK NICKEL UNDERPLATE.
OUTER AND INNER SHIELDS-0.25 [.010] THICK COPPER ALLOY PLATED WITH 1.27 um [.000050] MINIMUM NICKEL AND 2.03 um [.000080] MINIMUM HOT TIN DIP ON PCB GROUND TABS.
- ⚠ JACK CAVITY CONFORMS TO FCC RULES AND REGULATIONS, PART 68 SUBPART F.
- ⚠ DATE CODE LOCATED ON REAR OF PART APPROXIMATELY AS SHOWN:
FIRST 2 DIGITS ARE LAST 2 DIGITS OF YEAR,
SECOND 2 DIGITS ARE MANUFACTURING WORK WEEK,
LAST DIGIT IS DAY OF WEEK, WITH SUNDAY = 1.

PC BOARD LAYOUT VIEWED FROM COMPONENT SIDE

SUGGESTED PANEL CUTOUT DIMENSIONS SCALE 2:1

2170161-1
PART NUMBER

THIS DRAWING IS A CONTROLLED DOCUMENT.		DIN D.ZHU 16JUN2011	TE Connectivity	
DIMENSIONS: mm [INCHES]		CHK D.ZHU 16JUN2011	NAME STACKED MODULAR JACK ASSEMBLY, 2x1 PORT, 8 POSITION, SHIELDED, PANEL GROUND, CATEGORY 5	
TOLERANCES UNLESS OTHERWISE SPECIFIED:		APP'D MQ.W 16JUN2011	PRODUCT SPEC 108-1163-2	
0. PLC ± -		APPLICATION SPEC 114-2048		
1. PLC ± -		SIZE A1		
2. PLC ± 0.25(.01)		SCALE 4:1		
3. PLC ± 0.13(.005)		SHEET 1 of 1		
4. PLC ± -		REV A1		
ANGLES ± -		WEIGHT 0.000000		
MATERIAL SEE NOTE 1		FINISH SEE NOTE 1		
		CUSTOMER DRAWING		