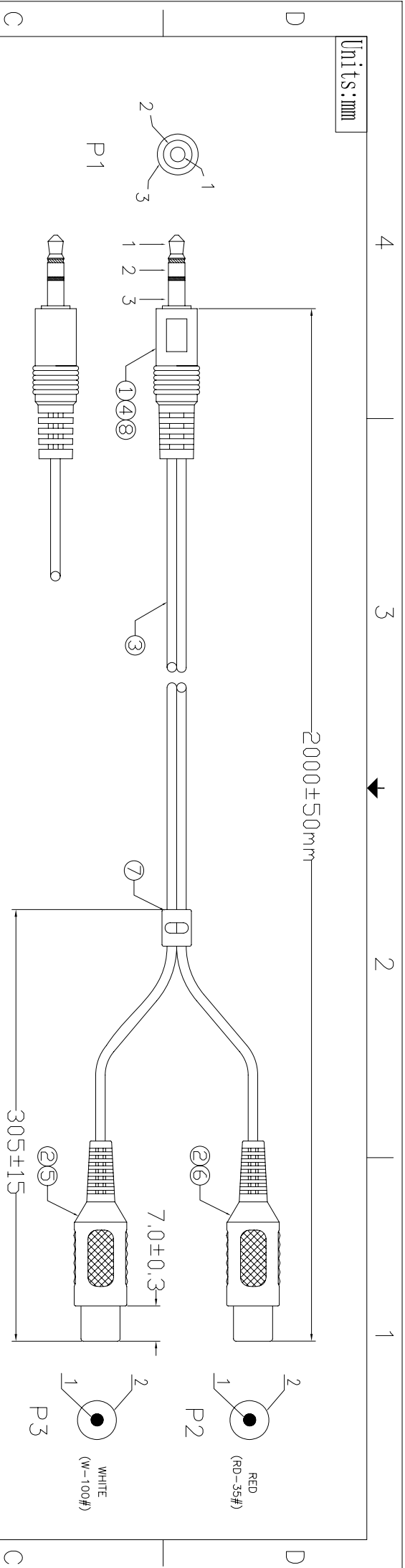


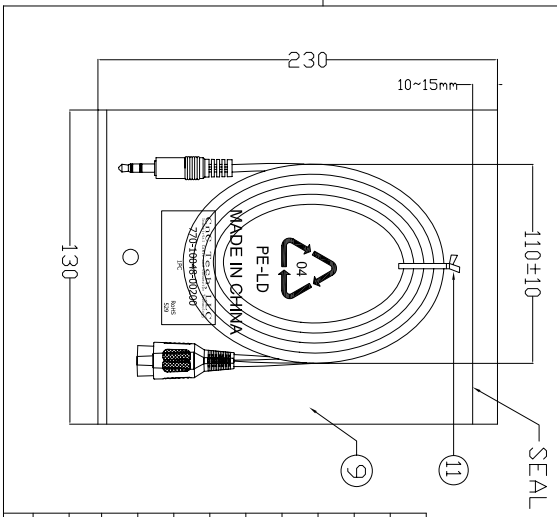
Units: mm



**PIN ASSIGNMENT:**

P1	P2	P3	COLOR
1	1		RED
2	1		WHITE
3	2		SPIRAL (RED)
		2	SPIRAL (WHITE)

*Electrical test:*  
 1. 100% short, open, miswire test  
 2. Conduct resistance: 2 Ohm(max)  
 3. Insulation resistance: 5Mohm(min)  
 4. dielectric test: DC 300V



NO.	NAME	QTY
①	CONN	1
②	CONN	2
③	CABLE	1
④	OUT JACKET	3.0g
⑤	OUT JACKET	3.3g
⑥	OUT JACKET	3.3g
⑦	S/R	1.5g
⑧	TUBE	1
⑨	PE BAG	1
⑩	PE BAG	1/10
⑪	TIE	2

**CNC Tech, LLC**  
 Industrial Cable and Connector Technology

DRAWN BY	ZHONGHS	DRAWING NO.	
CHECKED BY		CUSTOMER	
APPROVAL BY		ITEM NO.	770-10048-00200
DECIDE BY		DATE	2012-02-06
VERSIONS/EDITION	A/0	PROJECTION	