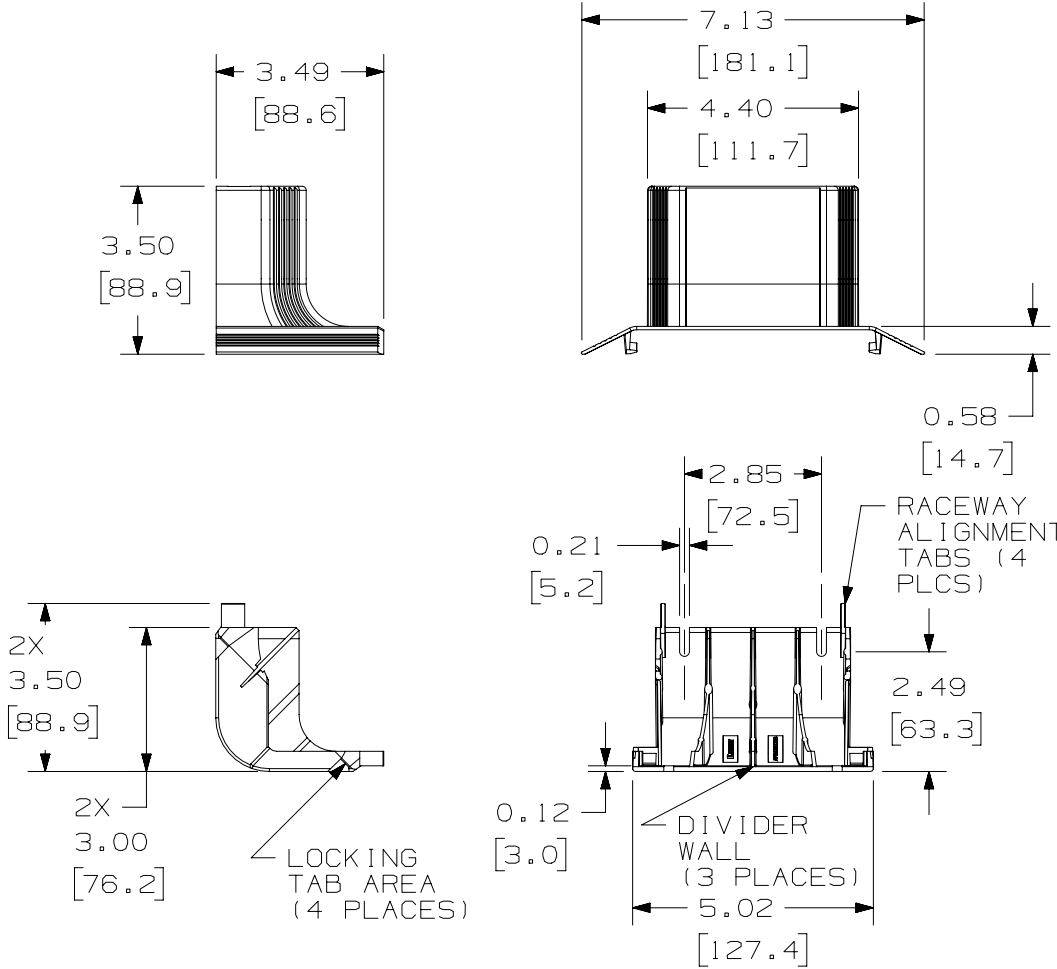
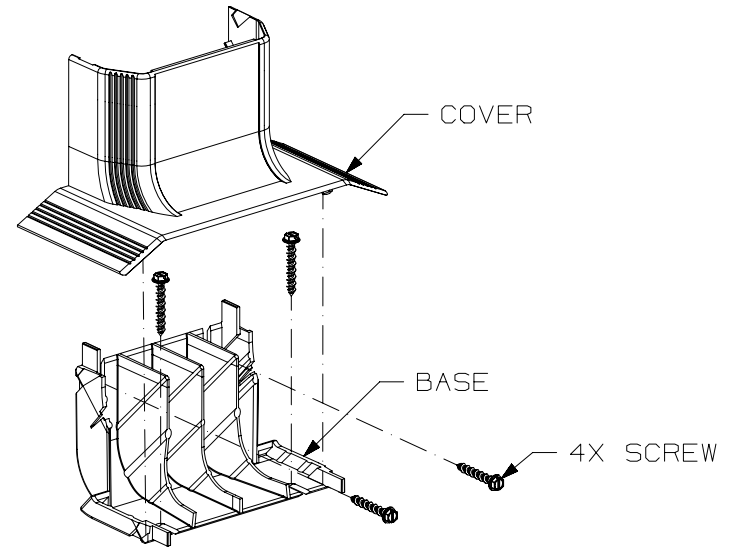


THIS COPY IS PROVIDED ON A RESTRICTED BASIS AND IS NOT TO BE USED IN ANY WAY DETRIMENTAL TO THE INTERESTS OF PANDUIT CORP.


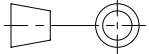


NOTES:

- VISIT OUR ON-LINE CATALOG AT WWW.PANDUIT.COM FOR A LIST OF CURRENT PARTS APPLICABLE FOR USE WITH THIS PRODUCT.
- DIMENSIONS IN [] ARE METRIC.
- WEIGHT: 0.45-lb (0.20-kg)
- PART INCLUDES:
 - 1- ABOVE FLOOR RACEWAY 4-CHANNEL TRANSITION TO T70 BASE
 - 1- ABOVE FLOOR RACEWAY 4-CHANNEL TRANSITION TO T70 COVER
 - 4- 3/16" X 1-1/4" HEX WASHER HEAD CONCRETE SCREW
- RoHS COMPLIANT, UL 94V-0 MATERIAL
- THIS PRODUCT IS INTENDED TO BE USED WITH PANDUIT TYPE T70 RACEWAY



**	COLOR
IW	OFF - WHITE
BL	BLACK
OS	OFFICE SLATE

PART NUMBER		AFR4TRT70**	
TITLE		ABOVE FLOOR RACEWAY 4-CHANNEL TRANSITION TO T-70 FITTING	
CUSTOMER DRAWING			
ITEM REVISION NAME	00064EAD/01		
DATASET FILE NAME	00064EAD_DC/01A		
 THIRD ANGLE PROJECTION			
MATERIAL	PVC	DRAWING NUMBER	00064EAD-DC
DRAWN BY	DATE	CHK	SCALE
BJN	8-22-17	ROJC	NONE
SHEET 1 OF 1		A	

REV	DATE	BY	CHK	APR	DESCRIPTION	ECN
01A	1-16-18	ROJC	NAGL	AMY	A. UPDATED PART GEOMETRY	00064EAD-DC
00A	8-22-17	BJN	ROJC	AMY	RELEASED TO PRODUCTION	00064EAD-DC

2

1

2

1

A-SIZE CUSTOMER