

PS9402

R08DS0014EJ0100

Rev.1.00

2.5 A OUTPUT CURRENT, HIGH CMR, IGBT, POWER MOS FET GATE DRIVE, 16-PIN SSOP PHOTOCOUPLER Jun 22, 2012

DESCRIPTION

The PS9402 is an optically coupled isolator containing a GaAlAs LED on the input side and a photo diode, a signal processing circuit and a power output transistor on the output side on one chip.

The PS9402 is designed specifically for high common mode transient immunity (CMR), high output current and high switching speed.

The PS9402 includes desaturation detection and active miller clamping functions.

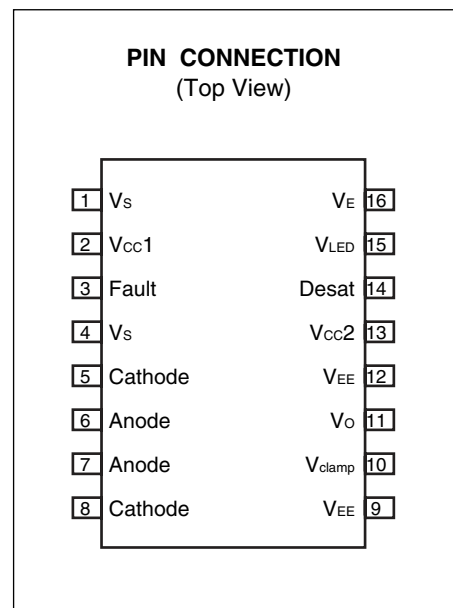
The PS9402 is suitable for driving IGBTs and Power MOS FETs.

The PS9402 is in a 16-pin plastic SSOP (Shrink Small Outline Package). And the PS9402 is able to high-density (surface) mounting.

FEATURES

- Long creepage distance (8 mm MIN.)
- Large peak output current (2.5 A MAX., 2.0 A MIN.)
- High speed switching (t_{PLH} , t_{PHL} = 200 ns MAX.)
- UVLO (Under Voltage Lock Out) protection with hysteresis
- Desaturation detection
- Miller clamping
- High common mode transient immunity ($|CM_H|$, $|CM_L|$ = 25 kV/ μ s MIN.)
- Embossed tape product: PS9402-E3: 850 pcs/reel
- Pb-Free product
- Safety standards
 - UL approved: No. E72422
 - CSA approved: No. CA 101391 (CA5A, CAN/CSA-C22.2 60065, 60950)
 - DIN EN60747-5-2 (VDE0884 Part2) approved: No. 40024069 (Option)

<R>



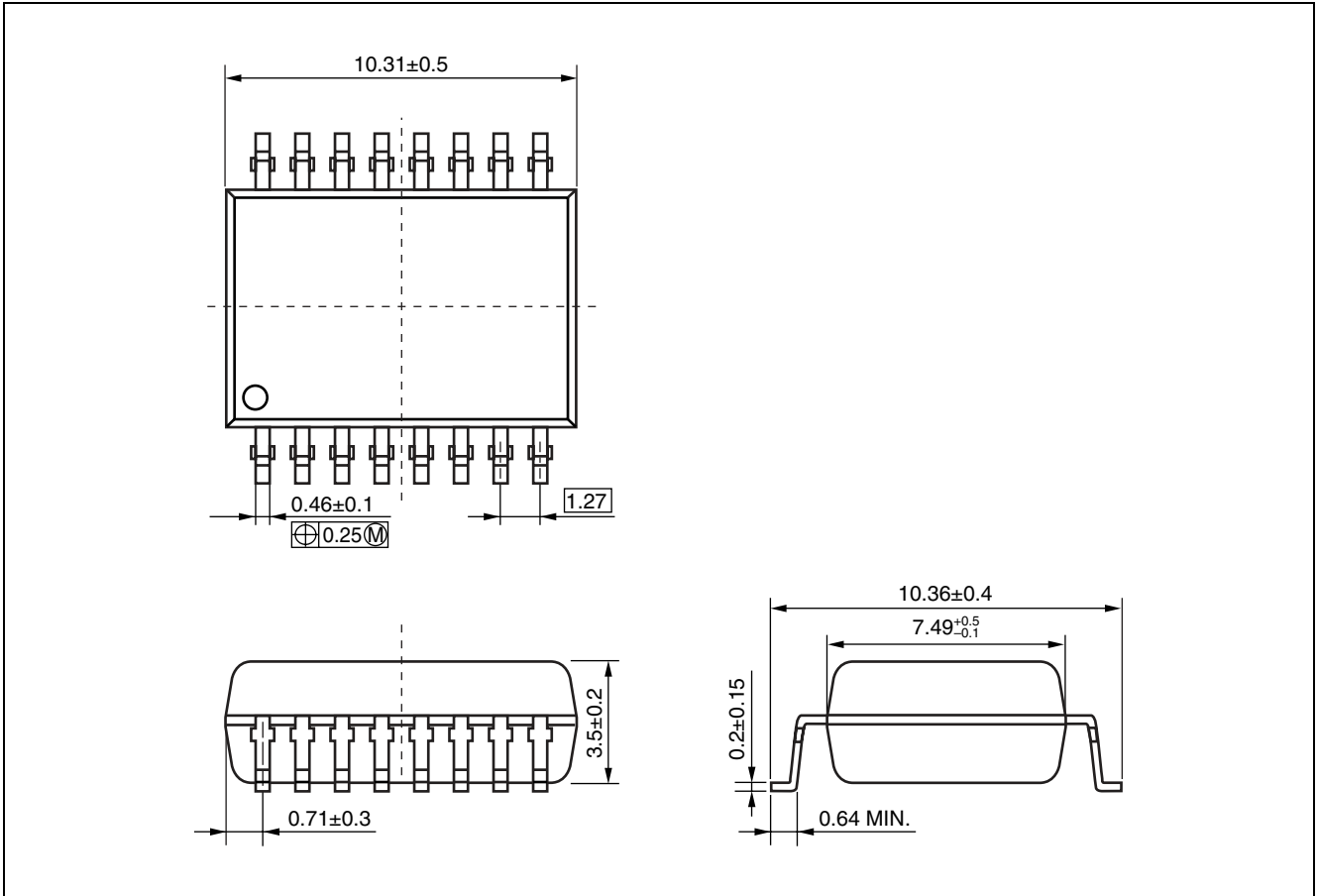
APPLICATIONS

- IGBT, Power MOS FET Gate Driver
- Industrial inverter
- Uninterruptible Power Supply (UPS)

The mark <R> shows major revised points.

The revised points can be easily searched by copying an "<R>" in the PDF file and specifying it in the "Find what:" field.

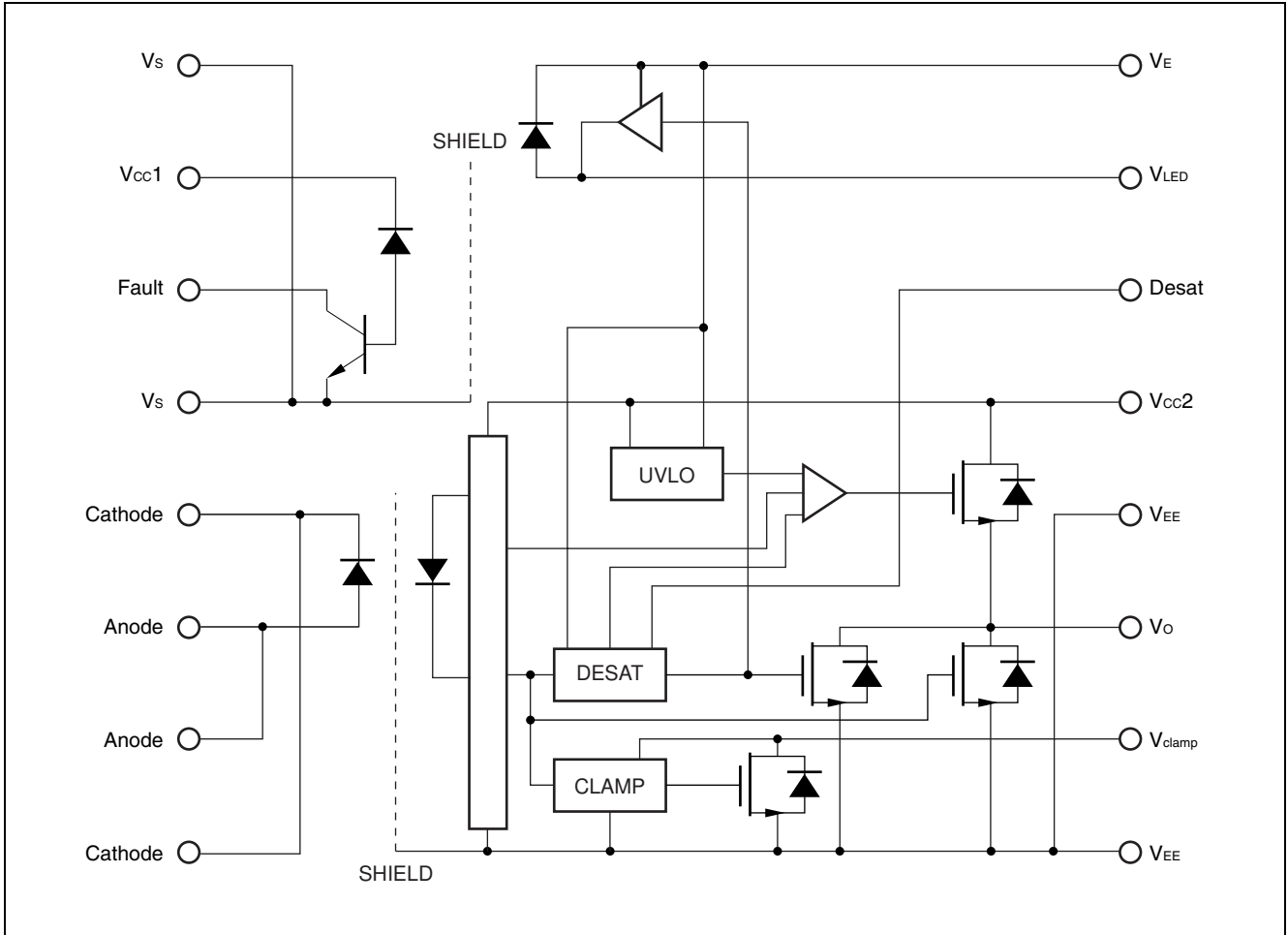
PACKAGE DIMENSIONS (UNIT: mm)



PHOTOCOUPLER CONSTRUCTION

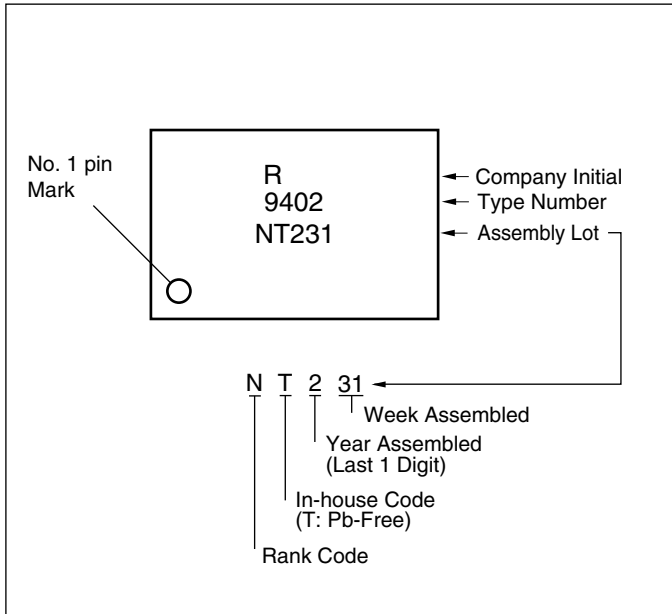
Parameter	Unit (MIN.)
Air Distance	8 mm
Outer Creepage Distance	8 mm
Isolation Distance	0.4 mm

BLOCK DIAGRAM (UNIT: mm)



	I_F	UVLO ($V_{CC2} - V_{EE}$)	DESAT (Pin 14: DESAT pin input)	FAULT (Pin 3: FAULT pin output)	V_o
<R>	OFF	Not Active ($> V_{UVLO+}$)	Not active	High	Low
<R>	ON	Not Active ($> V_{UVLO+}$)	Low ($< V_{DESATth}$)	High	High
<R>	ON	Not Active ($> V_{UVLO+}$)	High ($> V_{DESATth}$)	Low (FAULT)	Low
<R>	ON	Active ($< V_{UVLO-}$)	Not Active	High	Low
<R>	OFF	Active ($< V_{UVLO-}$)	Not Active	High	Low

<R> **MARKING EXAMPLE**



ORDERING INFORMATION

Part Number	Order Number	Solder Plating Specification	Packing Style	Safety Standard Approval	Application Part Number*1
PS9402	PS9402-AX	Pb-Free (Ni/Pd/Au)	10 pcs (Tape 10 pcs cut)	Standard products (UL and CSA Approved)	PS9402
<R> PS9402-E3	PS9402-E3-AX		Embossed Tape 850 pcs/reel		
PS9402-V	PS9402-V-AX		10 pcs (Tape 10 pcs cut)	DIN EN60747-5-2 (VDE0884 Part2) Approved (Option)	
<R> PS9402-V-E3	PS9402-V-E3-AX		Embossed Tape 850 pcs/reel		

Note: *1. For the application of the Safety Standard, following part number should be used.

ABSOLUTE MAXIMUM RATINGS (T_A = 25°C, unless otherwise specified)

Parameter	Symbol	Ratings	Unit
Forward Current *1	I _F	25	mA
Peak Transient Forward Current (Pulse Width < 1 μs)	I _{F (TRAN)}	1.0	A
Reverse Voltage	V _R	5	V
Input Supply Voltage	V _{CC1}	0 to 5.5	V
Input IC Power Dissipation *2	P _I	80	mW
High Level Peak Output Current *3	I _{OH (PEAK)}	2.5	A
Low Level Peak Output Current *3	I _{OL (PEAK)}	2.5	A
FAULT Output Current	I _{FAULT}	8	mA
FAULT Pin Voltage	V _{FAULT}	0 to V _{CC1}	V
Total Output Supply Voltage	(V _{CC2} - V _{EE})	0 to 33	V
Negative Output Supply Voltage	(V _E - V _{EE})	0 to 15	V
Output Voltage	V _O	0 to V _{CC2}	V
Peak Clamping Sinking Current	I _{Clamp}	1.7	A
Miller Clamping Pin Voltage	V _{Clamp}	0 to V _{CC2}	V
DESAT Voltage	V _{DESAT}	V _E to V _E + 10	V
Output IC Power Dissipation *4	P _O	300	mW
Isolation Voltage *5	BV	5 000	Vr.m.s.
Operating Ambient Temperature	T _A	-40 to +110	°C
Storage Temperature	T _{stg}	-55 to +125	°C

<R> Notes: *1. Reduced to 0.52 mA/°C at T_A = 85°C or more.

*2. Reduced to 1.6 mW/°C at T_A = 75°C or more.

<R> *3. Maximum pulse width = 10 μs, Maximum duty cycle = 0.2%

*4. Reduced to 5.5 mW/°C at T_A = 70°C or more.

*5. AC voltage for 1 minute at T_A = 25°C, RH = 60% between input and output.

Pins 1-8 shorted together, 9-16 shorted together.

RECOMMENDED OPERATING CONDITIONS

Parameter	Symbol	MIN.	MAX.	Unit
Total Output Supply Voltage	(V _{CC2} - V _{EE})	15	30	V
Negative Output Supply Voltage	(V _E - V _{EE})	0	15	V
Positive Output Supply Voltage	(V _{CC2} - V _E)	15	30 - (V _E - V _{EE})	V
Forward Current (ON)	I _{F (ON)}	8	12	mA
Forward Voltage (OFF)	V _{F (OFF)}	-2	0.8	V
Operating Ambient Temperature	T _A	-40	110	°C

<R>

ELECTRICAL CHARACTERISTICS (DC) (at RECOMMENDED OPERATING CONDITIONS, $V_{EE} = V_E = GND$, unless otherwise specified)

Parameter	Symbol	Conditions	MIN.	TYP. *1	MAX.	Unit
FAULT Logic Low Output Voltage	V_{FAULTL}	$I_{FAULT} = 1.1 \text{ mA}$, $V_{CC1} = 5.5 \text{ V}$		0.1		V
FAULT Logic High Output Current	I_{FAULTH}	$V_{FAULT} = 5.5 \text{ V}$, $V_{CC1} = 5.5 \text{ V}$, $T_A = 25^\circ\text{C}$			0.5	μA
High Level Output Current	I_{OH}	$V_O = (V_{CC2} - 4 \text{ V})^{*2}$	-0.5	-1.5		A
		$V_O = (V_{CC2} - 15 \text{ V})^{*3}$	-2.0			
Low Level Output Current	I_{OL}	$V_O = (V_{EE} + 2.5 \text{ V})^{*2}$	0.5	1.5		A
		$V_O = (V_{EE} + 15 \text{ V})^{*3}$	2.0			
Low Level Output Current During Fault Condition	I_{OLF}	$V_O - V_{EE} = 14 \text{ V}$	90	140	230	mA
High Level Output Voltage	V_{OH}	$I_O = 100 \text{ mA}^{*4}$	$V_{CC2} - 3.0$	$V_{CC2} - 1.3$		V
		$I_O = -650 \mu\text{A}^{*4}$	$V_{CC2} - 2.5$	$V_{CC2} - 0.8$		
Low Level Output Voltage	V_{OL}	$I_O = 100 \text{ mA}$		0.15	0.5	V
Clamp Pin Threshold Voltage	V_{tClamp}			2.0		V
Clamp Low Level Sinking Current	I_{CL}	$V_{tClamp} = V_{EE} + 2.5 \text{ V}$	0.35	1.5		A
High Level Supply Current	I_{CC2H}	$I_O = 0 \text{ mA}$		2	3	mA
Low Level Supply Current	I_{CC2L}	$I_O = 0 \text{ mA}$		2	3	mA
Blanking Capacitor Charging Current	I_{CHG}	$V_{DESAT} = 2 \text{ V}$	-0.13	-0.24	-0.33	mA
Blanking Capacitor Discharging Current	I_{DSCHG}	$V_{DESAT} = 7 \text{ V}$	10	30		mA
DESAT Threshold	$V_{DESATth}$	$V_{CC2} - V_E > V_{UVLO-}$, $V_O < 5 \text{ V}$	6.0	6.9	7.5	V
UVLO Threshold	V_{UVLO+}	$V_O > 5 \text{ V}$	11.0	12.6	13.5	V
	V_{UVLO-}	$V_O < 5 \text{ V}$	9.8	11.3	12.3	
UVLO Hysteresis	$UVLO_{HYS}$	$(V_{UVLO+}) - (V_{UVLO-})$	0.4	1.3		V
Threshold Input Current (L → H)	I_{FLH}	$I_O = 0 \text{ mA}$, $V_O > 5 \text{ V}$		1.5	5	mA
Threshold Input Voltage (H → L)	V_{FHL}	$I_O = 0 \text{ mA}$, $V_O < 5 \text{ V}$	0.8			V
Input Forward Voltage	V_F	$I_F = 10 \text{ mA}$, $T_A = 25^\circ\text{C}$	1.2	1.56	1.8	V
Input Reverse Current	I_R	$V_R = 3 \text{ V}$, $T_A = 25^\circ\text{C}$			10	μA
Input Capacitance	C_{IN}	$f = 1 \text{ MHz}$, $V_F = 0 \text{ V}$		30		pF

Notes: *1. Typical values at $T_A = 25^\circ\text{C}$.*2. Maximum pulse width = 50 μs , Maximum duty cycle = 0.5%*3. Maximum pulse width = 10 μs , Maximum duty cycle = 0.2%*4. V_{OH} is measured with the DC load current in this testing (Maximum pulse width = 1 ms, Maximum duty cycle = 20%).

<R>

SWITCHING CHARACTERISTICS (AC) (at RECOMMENDED OPERATING CONDITIONS, $V_{EE} = V_E = GND$, unless otherwise specified)

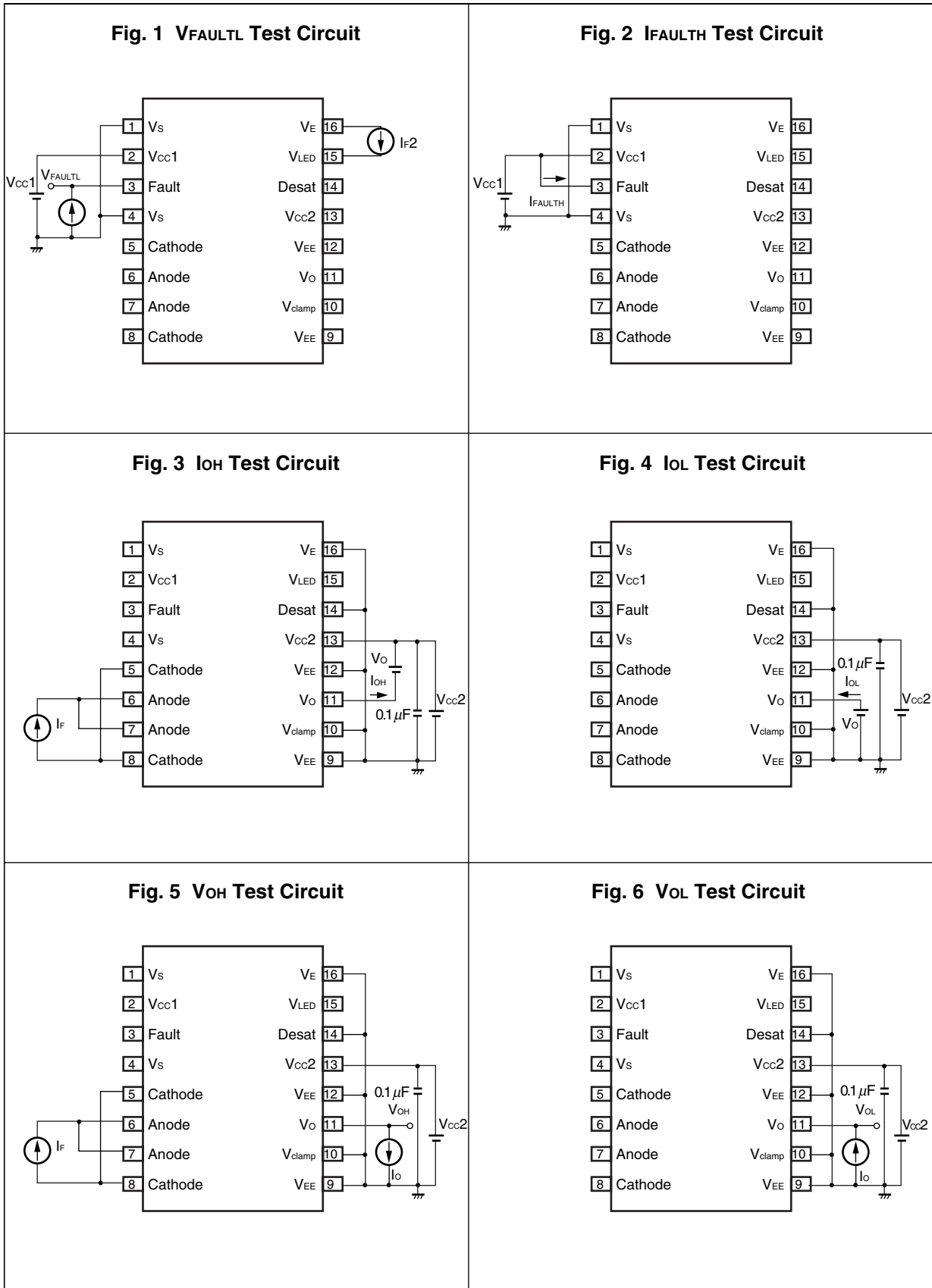
Parameter	Symbol	Conditions	MIN.	TYP. *1	MAX.	Unit
Propagation Delay Time (L → H)	t_{PLH}	$R_g = 10 \Omega$, $C_g = 10 \text{ nF}$, $f = 10 \text{ kHz}$, Duty Cycle = 50% *2, $I_F = 10 \text{ mA}$, $V_{CC2} = 30 \text{ V}$	50	90	200	ns
Propagation Delay Time (H → L)	t_{PHL}		50	110	200	ns
Pulse Width Distortion (PWD)	$ t_{PHL} - t_{PLH} $			20	100	ns
Propagation Delay Time (Difference Between Any Two Products)	$t_{PHL} - t_{PLH}$		-100		100	ns
Rise Time	t_r				50	ns
Fall Time	t_f				50	ns
Common Mode Transient Immunity at High Level Output *3	CM_H	$T_A = 25^\circ\text{C}$, $I_F = 10 \text{ mA}$, $V_{CC2} = 30 \text{ V}$, $V_{CM} = 1.5 \text{ kV}$, $C_{DESAT} = 100 \text{ pF}$, $R_F = 2.1 \text{ k}\Omega$, $V_{CC1} = 5 \text{ V}$	25			kV/ μs
Common Mode Transient Immunity at Low Level Output *4	CM_L	$T_A = 25^\circ\text{C}$, $V_F = 0 \text{ V}$, $V_{CC2} = 30 \text{ V}$, $V_{CM} = 1.5 \text{ kV}$, $R_F = 2.1 \text{ k}\Omega$, $V_{CC1} = 5 \text{ V}$			-25	kV/ μs
DESAT Sense to 90% V_O Delay	$t_{DESAT(90\%)}$	$C_{DESAT} = 100 \text{ pF}$, $R_F = 2.1 \text{ k}\Omega$, $R_g = 10 \Omega$, $C_g = 10 \text{ nF}$, $V_{CC2} = 30 \text{ V}$		250	500	ns
DESAT Sense to 10% V_O Delay	$t_{DESAT(10\%)}$		1.5	2	3	μs
DESAT Sense to Low Level FAULT Signal Delay	$t_{DESAT(FAULT)}$			400	800	ns
DESAT Sense to DESAT Low Propagation Delay	$t_{DESAT(LOW)}$			250		ns
DESAT Input Mute *5	$t_{DESAT(MUTE)}$		5			μs
RESET to High Level FAULT Signal Delay	$t_{RESET(FAULT)}$		$V_{CC1} = 5.5 \text{ V}$	0.3	1.2	3.0
		$V_{CC1} = 3.3 \text{ V}$	0.5	1.5	4.0	μs

Notes: *1. Typical values at $T_A = 25^\circ\text{C}$.

*2. This load condition is equivalent to the IGBT load at 1 200 V/150 A.

*3. Common mode transient immunity in the high state is the maximum tolerable dV_{CM}/dt of the common mode pulse, V_{CM} , to assure that the output will remain in the high state (i.e., $V_O > 15 \text{ V}$ or $FAULT > 2 \text{ V}$). A 100 pF and a 2.1 k Ω pull-up resistor is needed in fault detection mode.*4. Common mode transient immunity in the low state is the maximum tolerable dV_{CM}/dt of the common mode pulse, V_{CM} , to assure that the output will remain in a low state (i.e., $V_O < 1.0 \text{ V}$ or $FAULT < 0.8 \text{ V}$).*5. During muting DESAT, even if LED (IF) input occurs, IGBT operates turn-off and V_O state is kept to low. After unmuting this DESAT, when LED is turned on, $V_O/FAULT$ becomes high state (with automatic reset).

<R> TEST CIRCUIT 1



<R> TEST CIRCUIT 3

Fig. 13 VuvLO Test Circuit

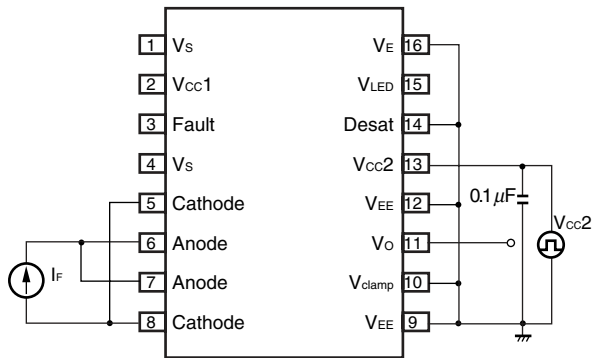


Fig. 14 IFLH Test Circuit

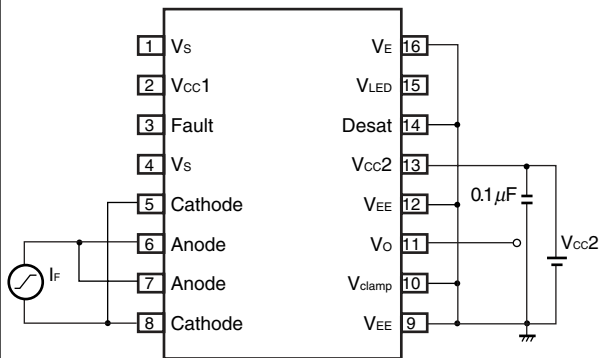


Fig. 15 tPLH/tPHL Test Circuit

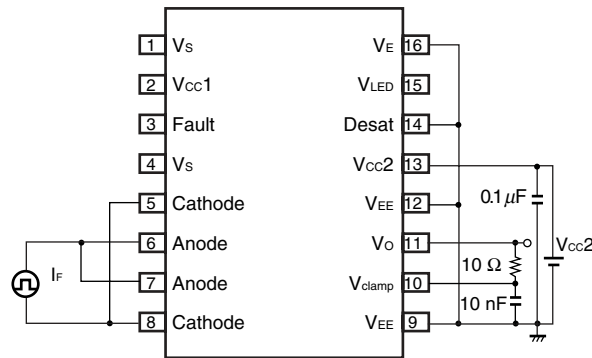


Fig. 17 tPLH/tPHL Test Wave Forms

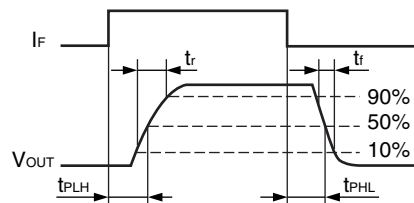


Fig. 17 tDESAT Test Circuit

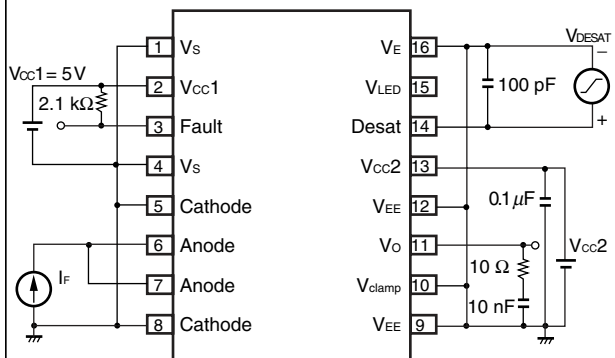
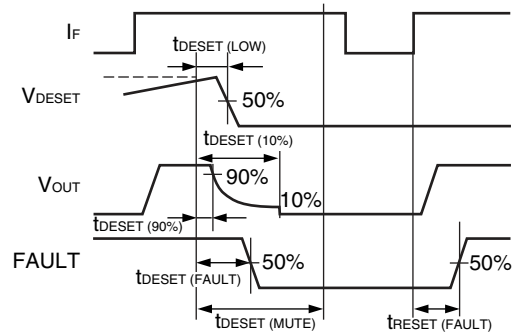
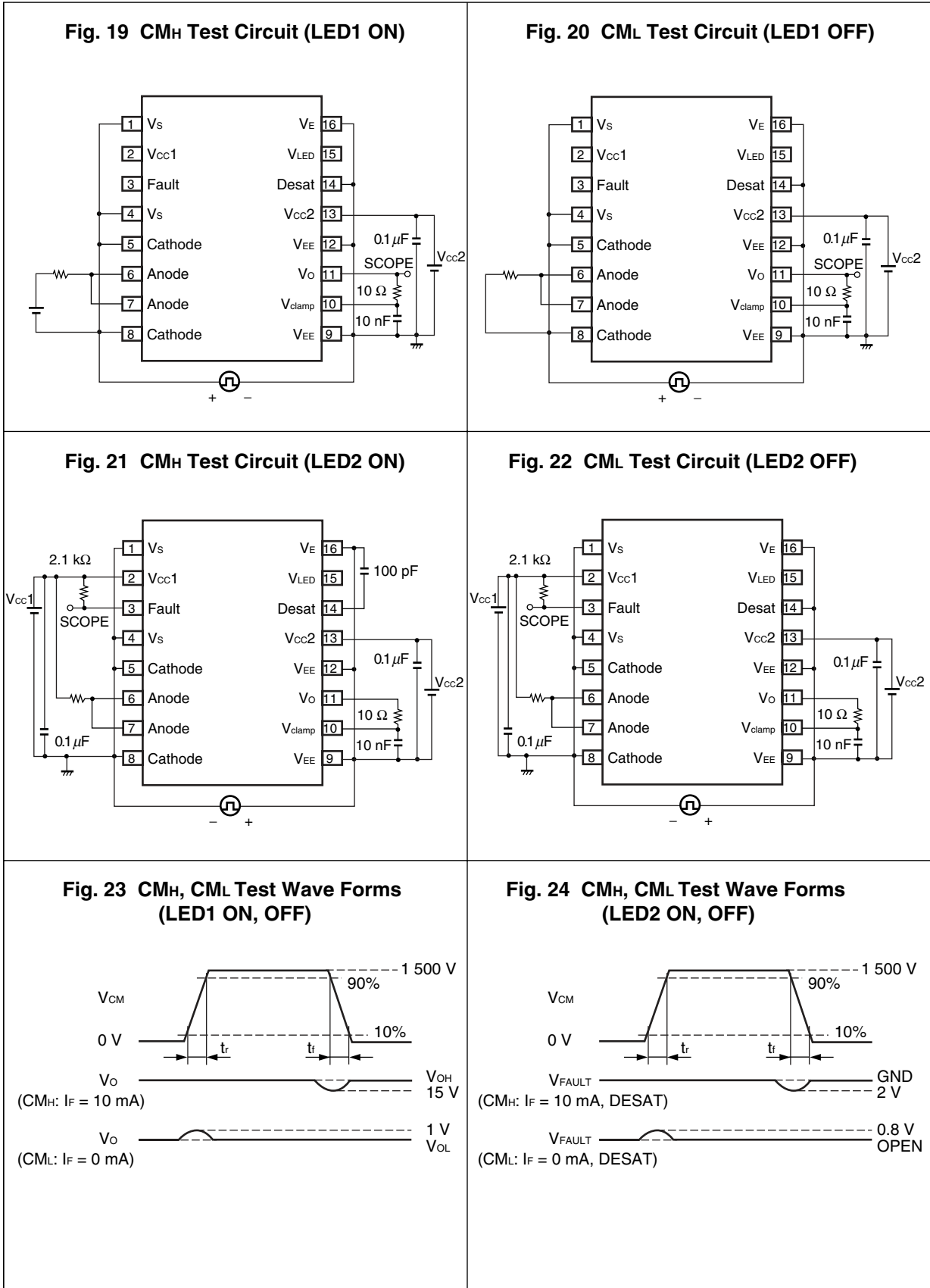


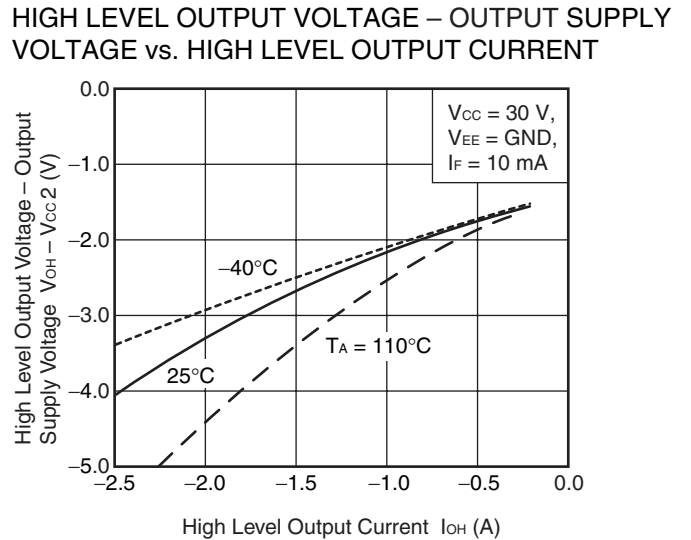
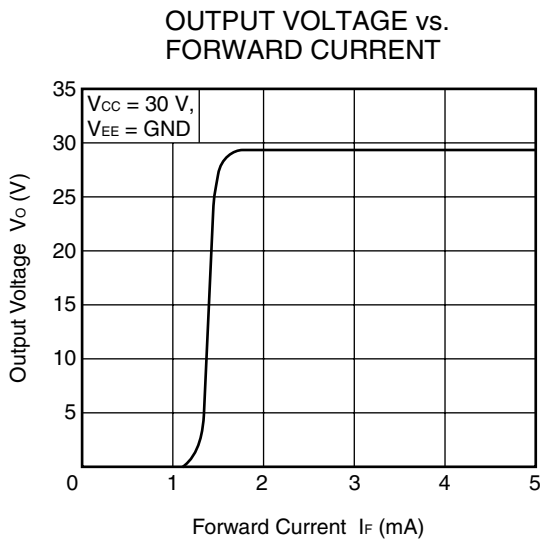
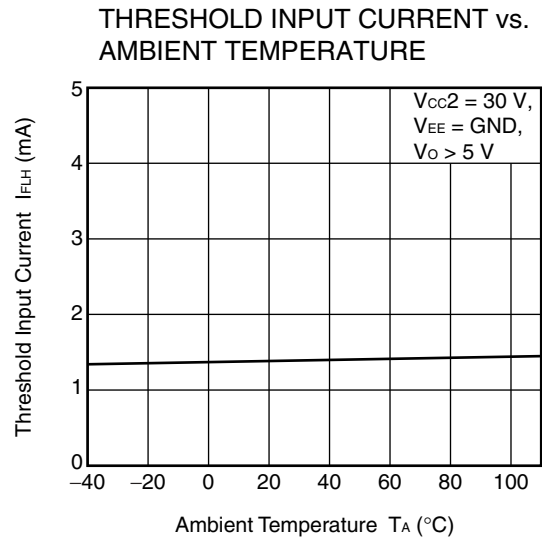
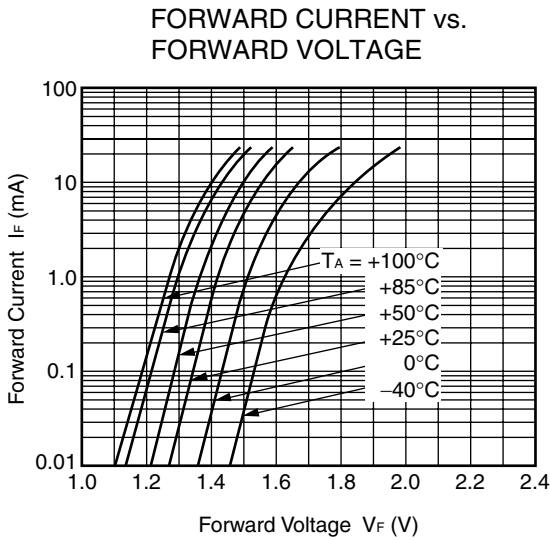
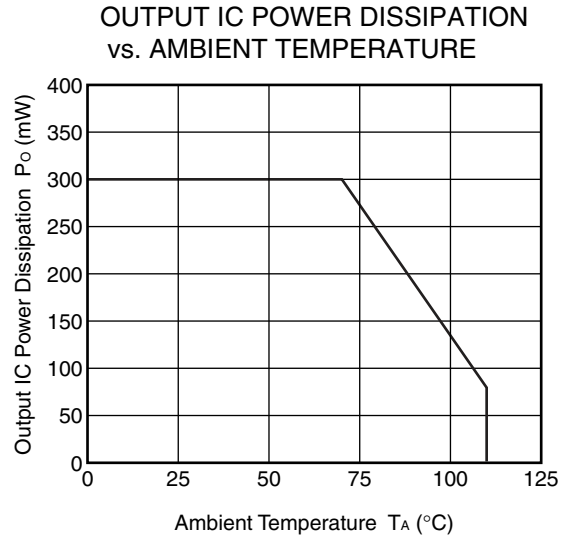
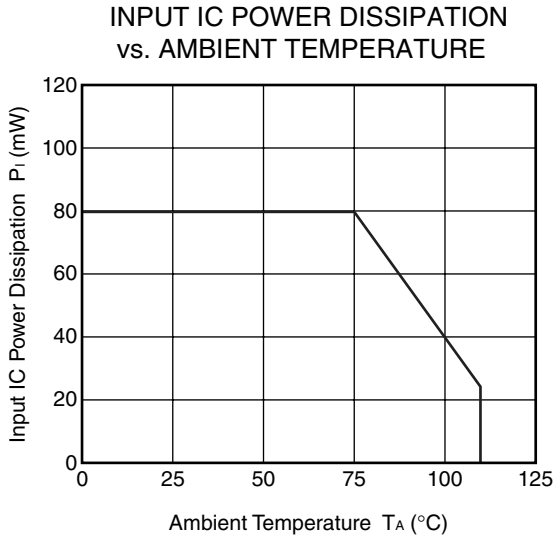
Fig. 18 tDESAT Test Wave Forms



<R> TEST CIRCUIT 4

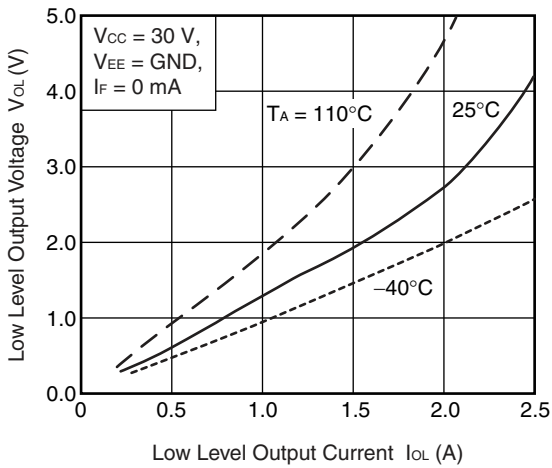


<R> **TYPICAL CHARACTERISTICS ($T_A = 25^\circ\text{C}$, unless otherwise specified)**

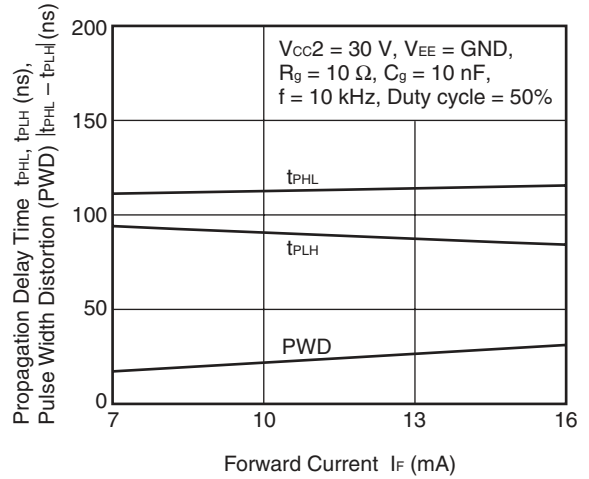


Remark The graphs indicate nominal characteristics.

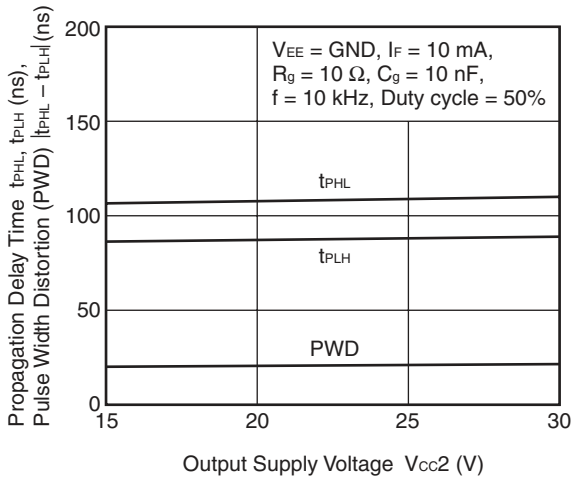
LOW LEVEL OUTPUT VOLTAGE vs. LOW LEVEL OUTPUT CURRENT



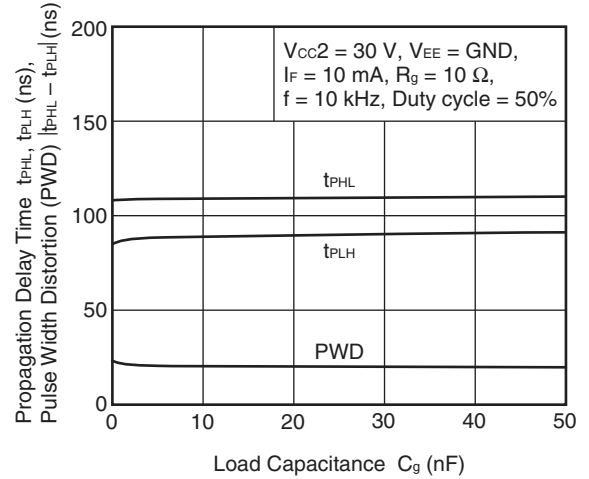
PROPAGATION DELAY TIME, PULSE WIDTH DISTORTION vs. FORWARD CURRENT



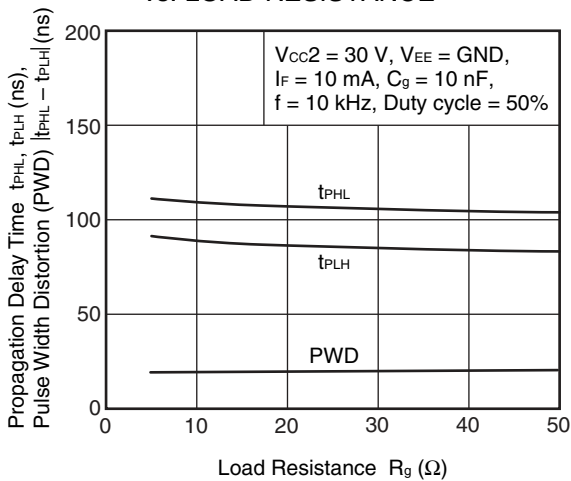
PROPAGATION DELAY TIME, PULSE WIDTH DISTORTION vs. OUTPUT SUPPLY VOLTAGE



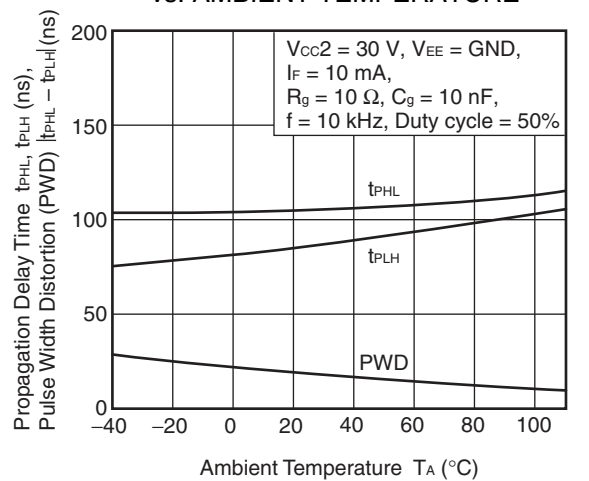
PROPAGATION DELAY TIME, PULSE WIDTH DISTORTION vs. LOAD CAPACITANCE



PROPAGATION DELAY TIME, PULSE WIDTH DISTORTION vs. LOAD RESISTANCE

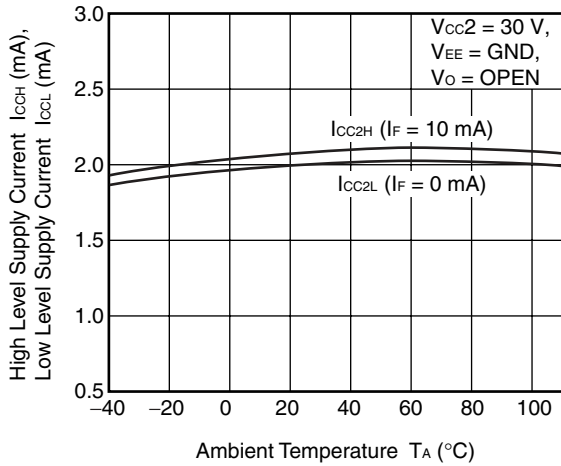


PROPAGATION DELAY TIME, PULSE WIDTH DISTORTION vs. AMBIENT TEMPERATURE

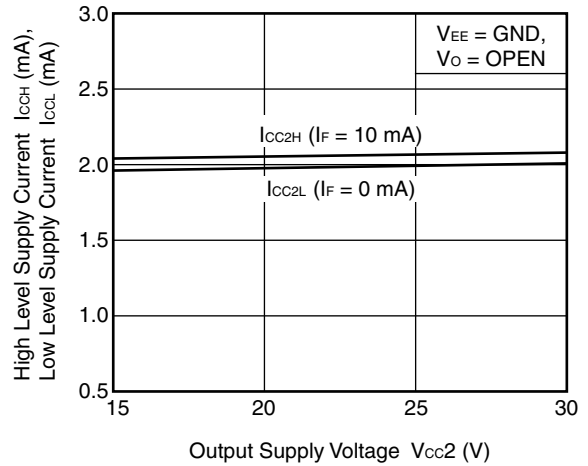


Remark The graphs indicate nominal characteristics.

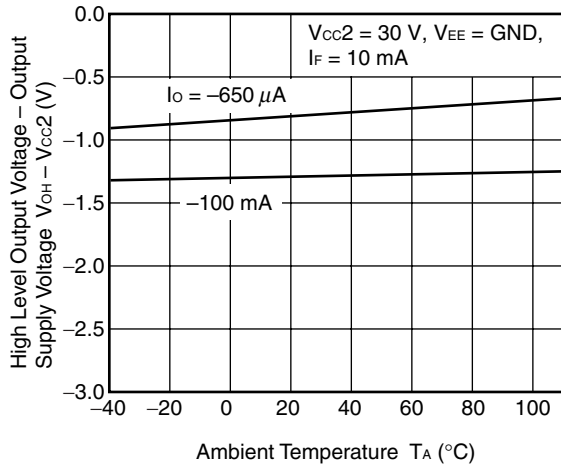
HIGH LEVEL SUPPLY CURRENT, LOW LEVEL SUPPLY CURRENT vs. AMBIENT TEMPERATURE



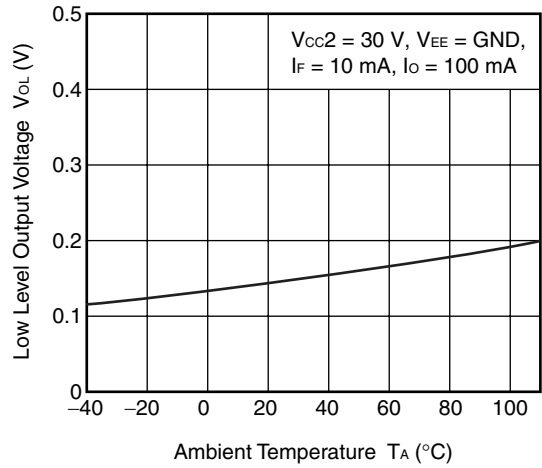
HIGH LEVEL SUPPLY CURRENT, LOW LEVEL SUPPLY CURRENT vs. OUTPUT SUPPLY VOLTAGE



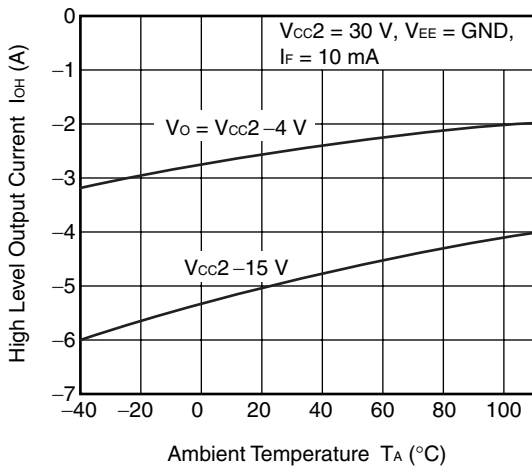
HIGH LEVEL OUTPUT VOLTAGE – OUTPUT SUPPLY VOLTAGE vs. AMBIENT TEMPERATURE



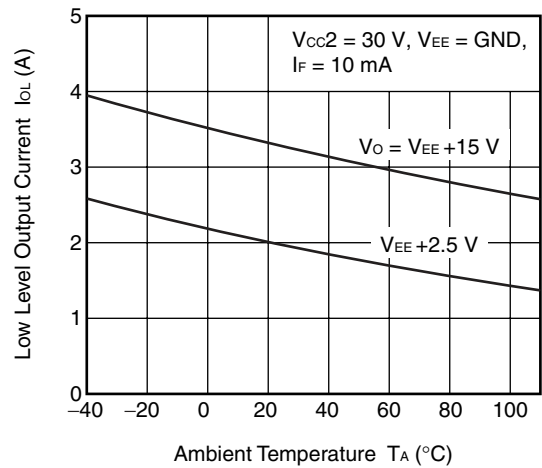
LOW LEVEL OUTPUT VOLTAGE vs. AMBIENT TEMPERATURE



HIGH LEVEL OUTPUT CURRENT vs. AMBIENT TEMPERATURE

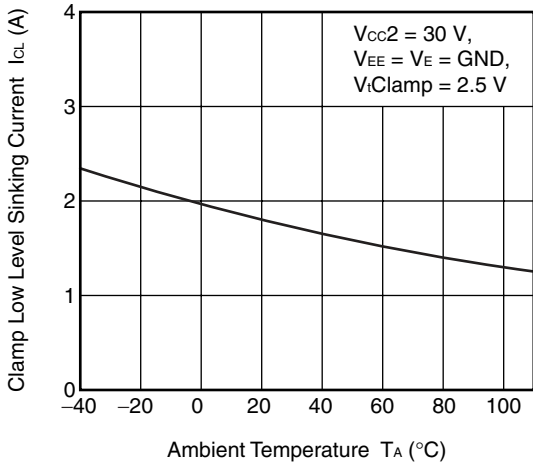


LOW LEVEL OUTPUT CURRENT vs. AMBIENT TEMPERATURE

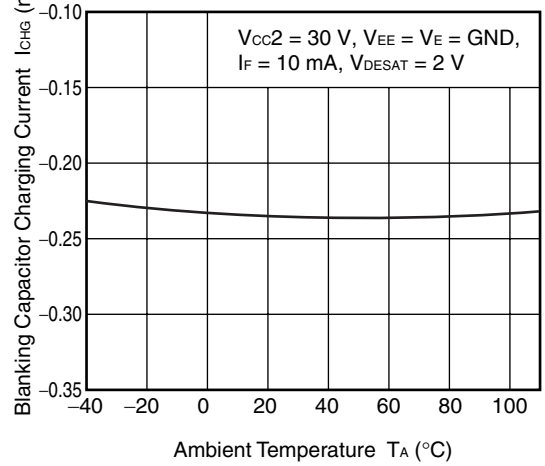


Remark The graphs indicate nominal characteristics.

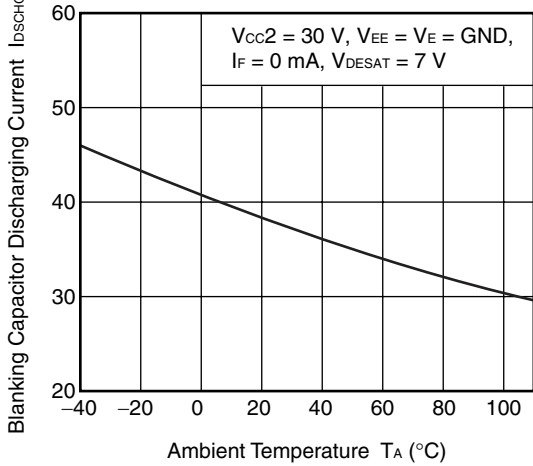
CLAMP LOW LEVEL SINKING CURRENT vs. AMBIENT TEMPERATURE



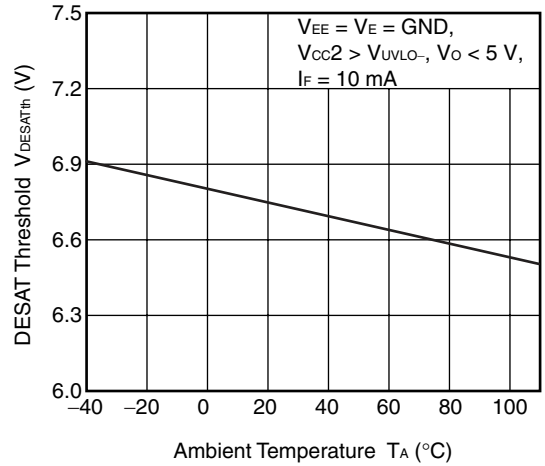
BLANKING CAPACITOR CHARGING CURRENT vs. AMBIENT TEMPERATURE



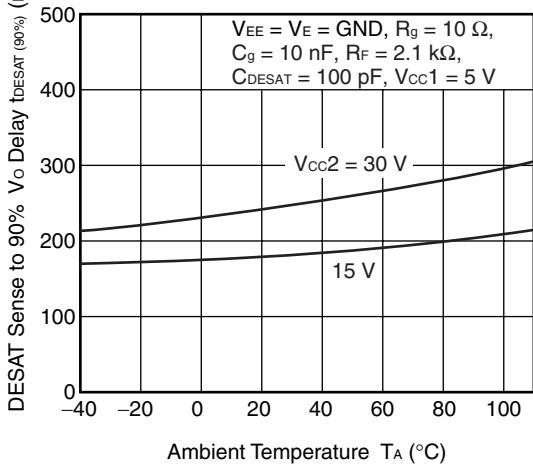
BLANKING CAPACITOR DISCHARGING CURRENT vs. AMBIENT TEMPERATURE



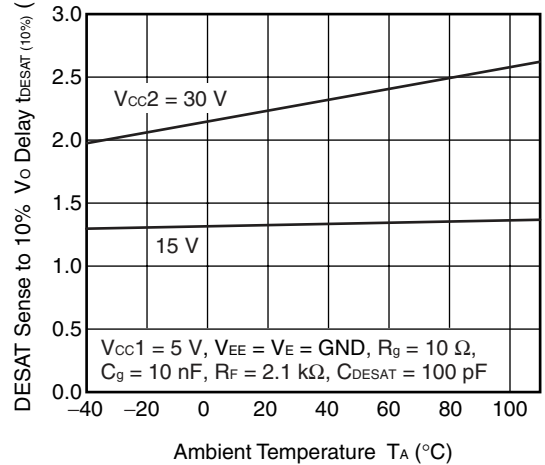
DESAT THRESHOLD vs. AMBIENT TEMPERATURE



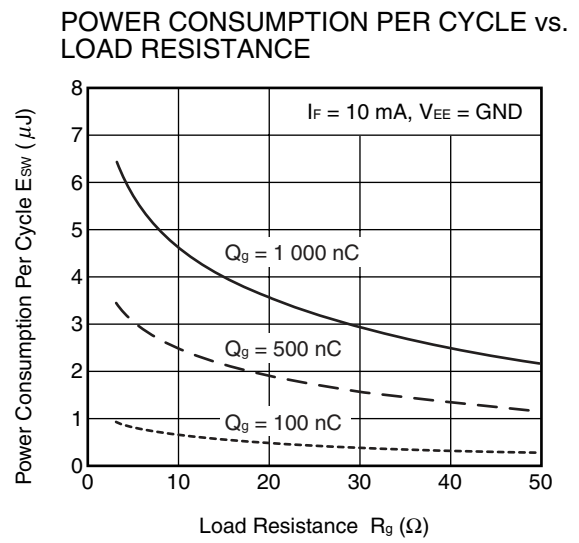
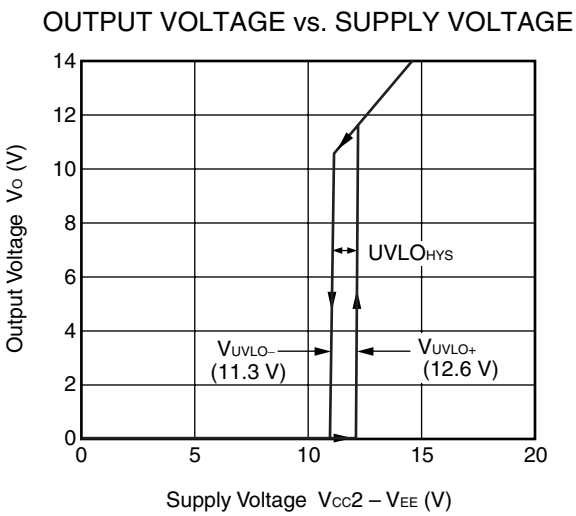
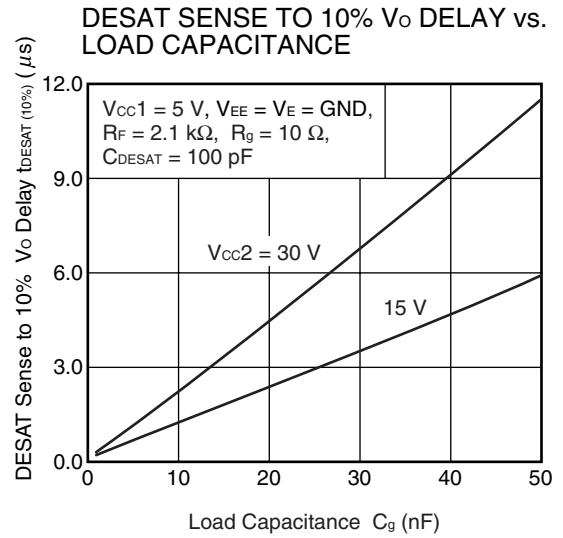
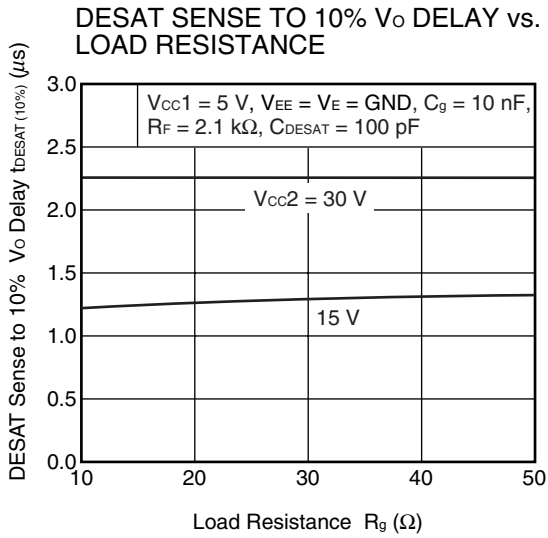
DESAT SENSE TO 90% V_O DELAY vs. AMBIENT TEMPERATURE



DESAT SENSE TO 10% V_O DELAY vs. AMBIENT TEMPERATURE



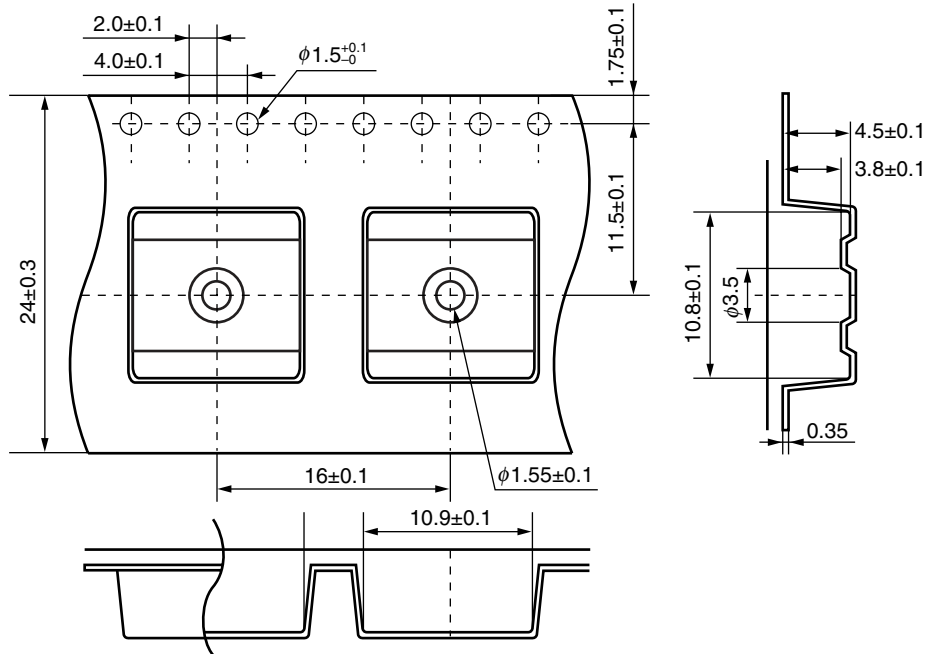
Remark The graphs indicate nominal characteristics.



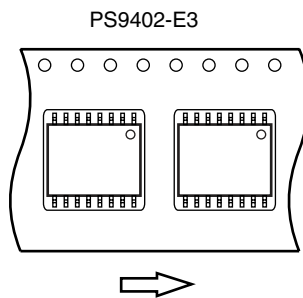
Remark The graphs indicate nominal characteristics.

TAPING SPECIFICATIONS (UNIT: mm)

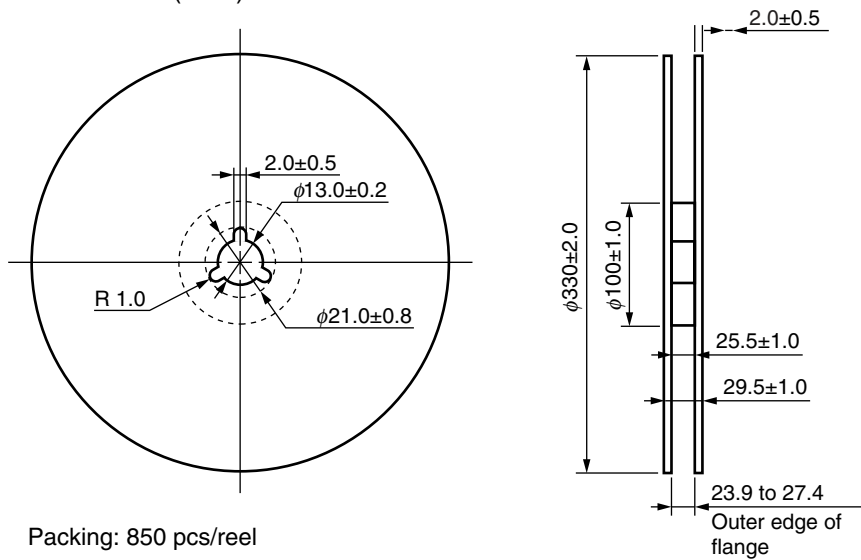
Outline and Dimensions (Tape)



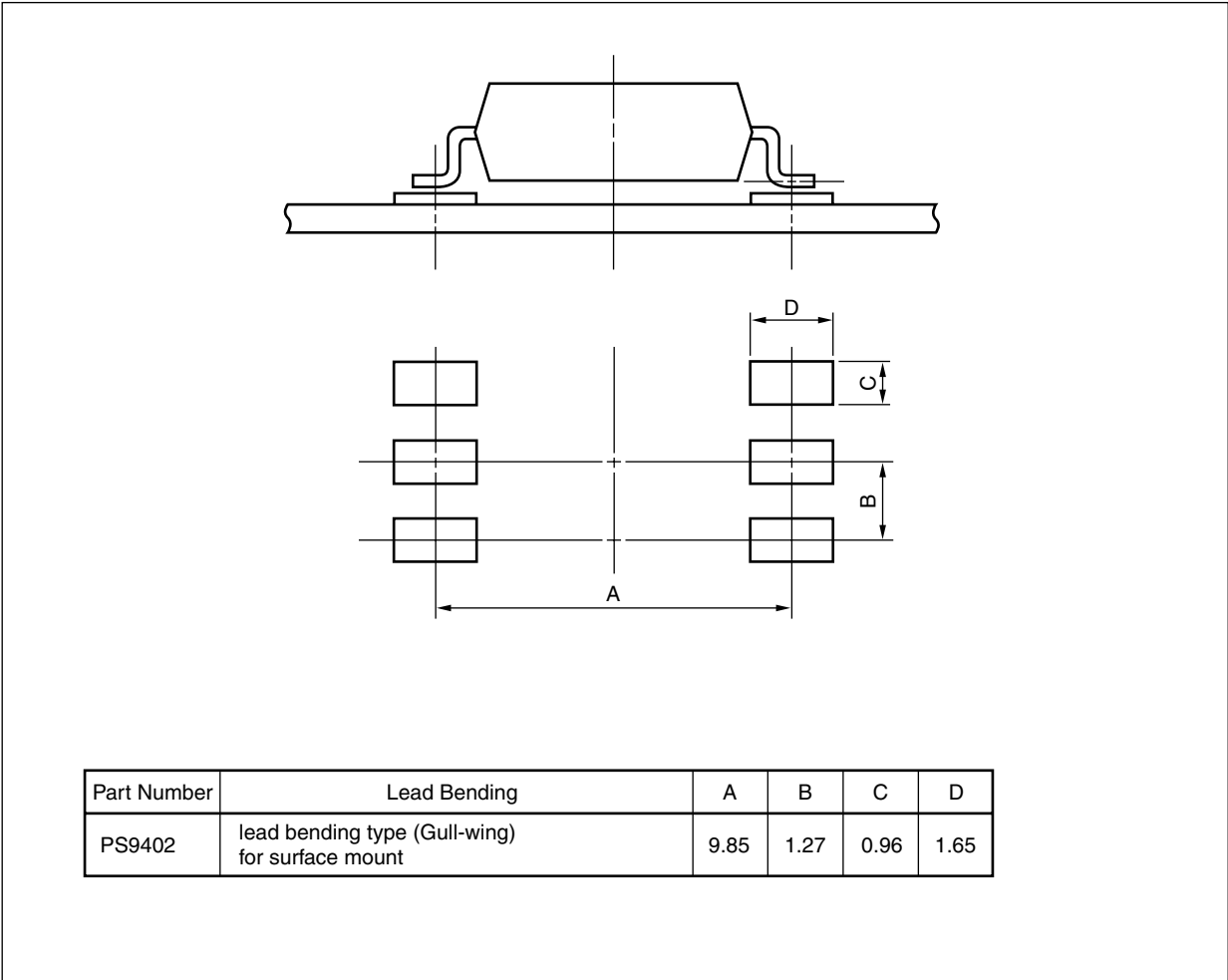
Tape Direction



Outline and Dimensions (Reel)



<R> **RECOMMENDED MOUNT PAD DIMENSIONS (UNIT: mm)**



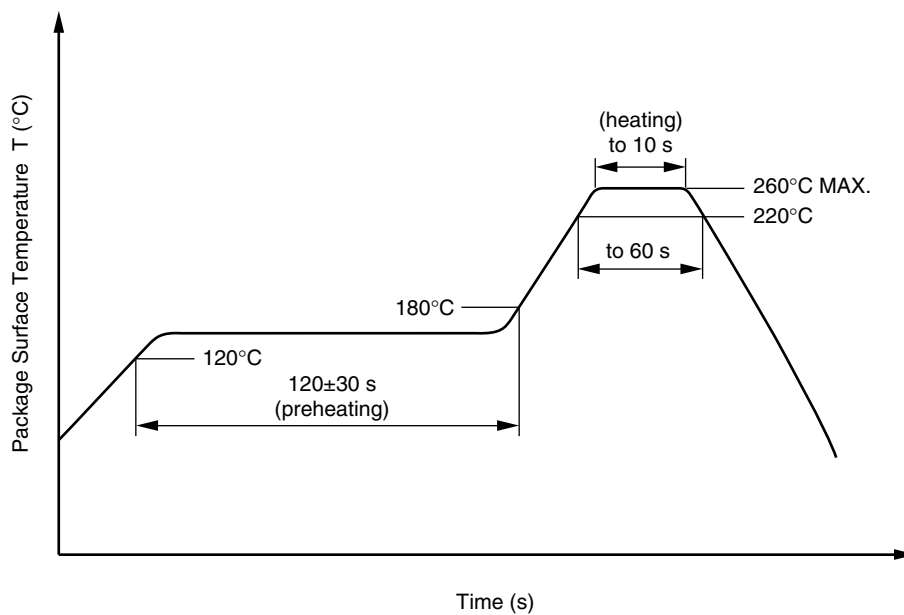
NOTES ON HANDLING

1. Recommended soldering conditions

(1) Infrared reflow soldering

- Peak reflow temperature 260°C or below (package surface temperature)
- Time of peak reflow temperature 10 seconds or less
- Time of temperature higher than 220°C 60 seconds or less
- Time to preheat temperature from 120 to 180°C 120±30 s
- Number of reflows Three
- Flux Rosin flux containing small amount of chlorine (The flux with a maximum chlorine content of 0.2 Wt% is recommended.)

Recommended Temperature Profile of Infrared Reflow



(2) Wave soldering

- Temperature 260°C or below (molten solder temperature)
- Time 10 seconds or less
- Preheating conditions 120°C or below (package surface temperature)
- Number of times One (Allowed to be dipped in solder including plastic mold portion.)
- Flux Rosin flux containing small amount of chlorine (The flux with a maximum chlorine content of 0.2 Wt% is recommended.)

(3) Soldering by Soldering Iron

- Peak Temperature (lead part temperature) 350°C or below
- Time (each pins) 3 seconds or less
- Flux Rosin flux containing small amount of chlorine (The flux with a maximum chlorine content of 0.2 Wt% is recommended.)

(a) Soldering of leads should be made at the point 1.5 to 2.0 mm from the root of the lead

(4) Cautions

- Fluxes Avoid removing the residual flux with freon-based and chlorine-based cleaning solvent.

2. Cautions regarding noise

Be aware that when voltage is applied suddenly between the photocoupler's input and output at startup, the output transistor may enter the on state, even if the voltage is within the absolute maximum ratings.

USAGE CAUTIONS

1. This product is weak for static electricity by designed with high-speed integrated circuit so protect against static electricity when handling.
2. Board designing
 - (1) By-pass capacitor of more than 0.1 μF is used between V_{CC} and GND near device. Also, ensure that the distance between the leads of the photocoupler and capacitor is no more than 10 mm.
 - <R> (2) When designing the printed wiring board, ensure that the pattern of the IGBT collectors/emitters is not too close to the input block pattern of the photocoupler.

If the pattern is too close to the input block and coupling occurs, a sudden fluctuation in the voltage on the IGBT output side might affect the photocoupler's LED input, leading to malfunction or degradation of characteristics. (If the pattern needs to be close to the input block, to prevent the LED from lighting during the off state due to the abovementioned coupling, design the input-side circuit so that the bias of the LED is reversed, within the range of the recommended operating conditions, and be sure to thoroughly evaluate operation.)
3. Make sure the rise/fall time of the forward current is 0.5 μs or less.
- <R> 4. In order to avoid malfunctions, make sure the rise/fall slope of the $V_{\text{CC}2}$ is 3 $\text{V}/\mu\text{s}$ or less.
5. Avoid storage at a high temperature and high humidity.

<R> SPECIFICATION OF VDE MARKS LICENSE DOCUMENT

Parameter	Symbol	Spec.	Unit
Climatic test class (IEC 60068-1/DIN EN 60068-1)		40/110/21	
Dielectric strength maximum operating isolation voltage	U_{IORM}	1 130	V_{peak}
Test voltage (partial discharge test, procedure a for type test and random test) $U_{pr} = 1.6 \times U_{IORM.}, P_d < 5 \text{ pC}$	U_{pr}	1 808	V_{peak}
Test voltage (partial discharge test, procedure b for all devices) $U_{pr} = 1.875 \times U_{IORM.}, P_d < 5 \text{ pC}$	U_{pr}	2 119	V_{peak}
Highest permissible overvoltage	U_{TR}	8 000	V_{peak}
Degree of pollution (DIN EN 60664-1 VDE0110 Part 1)		2	
Comparative tracking index (IEC 60112/DIN EN 60112 (VDE 0303 Part 11))	CTI	175	
Material group (DIN EN 60664-1 VDE0110 Part 1)		III a	
Storage temperature range	T_{stg}	-55 to +125	°C
Operating temperature range	T_A	-40 to +110	°C
Isolation resistance, minimum value $V_{IO} = 500 \text{ V dc at } T_A = 25^\circ\text{C}$	Ris MIN.	10^{12}	Ω
$V_{IO} = 500 \text{ V dc at } T_A \text{ MAX. at least } 100^\circ\text{C}$	Ris MIN.	10^{11}	Ω
Safety maximum ratings (maximum permissible in case of fault, see thermal derating curve)			
Package temperature	T_{si}	175	°C
Current (input current I_F , $P_{si} = 0$)	I_{si}	400	mA
Power (output or total power dissipation)	P_{si}	700	mW
Isolation resistance $V_{IO} = 500 \text{ V dc at } T_A = T_{si}$	Ris MIN.	10^9	Ω

Caution GaAs Products	<p>This product uses gallium arsenide (GaAs). GaAs vapor and powder are hazardous to human health if inhaled or ingested, so please observe the following points.</p> <ul style="list-style-type: none">• Follow related laws and ordinances when disposing of the product. If there are no applicable laws and/or ordinances, dispose of the product as recommended below.<ol style="list-style-type: none">1. Commission a disposal company able to (with a license to) collect, transport and dispose of materials that contain arsenic and other such industrial waste materials.2. Exclude the product from general industrial waste and household garbage, and ensure that the product is controlled (as industrial waste subject to special control) up until final disposal.• Do not burn, destroy, cut, crush, or chemically dissolve the product.• Do not lick the product or in any way allow it to enter the mouth.
------------------------------	--

Revision History

PS9402 Data Sheet

Rev.	Date	Description	
		Page	Summary
0.01	May 09, 2011	–	First edition issued
1.00	Jun 22, 2012	Throughout	Preliminary Data Sheet - > Data Sheet
		Throughout	Safety standards approved
		p.3	Modification of BLOCK DIAGRAM
		p.4	Modification of MARKING EXAMPLE
		p.5	Modification of ABSOLUTE MAXIMUM RATINGS
		p.6	Modification of ELECTRICAL CHARACTERISTICS (DC)
		p.7	Modification of SWITCHING CHARACTERISTICS (AC)
		pp.8 to 11	Modification of TEST CIRCUIT
		pp.12 to 16	Addition of TYPICAL CHARACTERISTICS
		p.18	Addition of RECOMMENDED MOUNT PAD DIMENSIONS
		p.20	Modification of USAGE CAUTIONS
p.21	Addition of SPECIFICATION OF VDE MARKS LICENSE DOCUMENT		

All trademarks and registered trademarks are the property of their respective owners.

Notice

1. Descriptions of circuits, software and other related information in this document are provided only to illustrate the operation of semiconductor products and application examples. You are fully responsible for the incorporation of these circuits, software, and information in the design of your equipment. Renesas Electronics assumes no responsibility for any losses incurred by you or third parties arising from the use of these circuits, software, or information.
 2. Renesas Electronics has used reasonable care in preparing the information included in this document, but Renesas Electronics does not warrant that such information is error free. Renesas Electronics assumes no liability whatsoever for any damages incurred by you resulting from errors in or omissions from the information included herein.
 3. Renesas Electronics does not assume any liability for infringement of patents, copyrights, or other intellectual property rights of third parties by or arising from the use of Renesas Electronics products or technical information described in this document. No license, express, implied or otherwise, is granted hereby under any patents, copyrights or other intellectual property rights of Renesas Electronics or others.
 4. You should not alter, modify, copy, or otherwise misappropriate any Renesas Electronics product, whether in whole or in part. Renesas Electronics assumes no responsibility for any losses incurred by you or third parties arising from such alteration, modification, copy or otherwise misappropriation of Renesas Electronics product.
 5. Renesas Electronics products are classified according to the following two quality grades: "Standard" and "High Quality". The recommended applications for each Renesas Electronics product depends on the product's quality grade, as indicated below.
"Standard": Computers; office equipment; communications equipment; test and measurement equipment; audio and visual equipment; home electronic appliances; machine tools; personal electronic equipment; and industrial robots etc.
"High Quality": Transportation equipment (automobiles, trains, ships, etc.); traffic control systems; anti-disaster systems; anti-crime systems; and safety equipment etc.
Renesas Electronics products are neither intended nor authorized for use in products or systems that may pose a direct threat to human life or bodily injury (artificial life support devices or systems, surgical implantations etc.), or may cause serious property damages (nuclear reactor control systems, military equipment etc.). You must check the quality grade of each Renesas Electronics product before using it in a particular application. You may not use any Renesas Electronics product for any application for which it is not intended. Renesas Electronics shall not be in any way liable for any damages or losses incurred by you or third parties arising from the use of any Renesas Electronics product for which the product is not intended by Renesas Electronics.
 6. You should use the Renesas Electronics products described in this document within the range specified by Renesas Electronics, especially with respect to the maximum rating, operating supply voltage range, movement power voltage range, heat radiation characteristics, installation and other product characteristics. Renesas Electronics shall have no liability for malfunctions or damages arising out of the use of Renesas Electronics products beyond such specified ranges.
 7. Although Renesas Electronics endeavors to improve the quality and reliability of its products, semiconductor products have specific characteristics such as the occurrence of failure at a certain rate and malfunctions under certain use conditions. Further, Renesas Electronics products are not subject to radiation resistance design. Please be sure to implement safety measures to guard them against the possibility of physical injury, and injury or damage caused by fire in the event of the failure of a Renesas Electronics product, such as safety design for hardware and software including but not limited to redundancy, fire control and malfunction prevention, appropriate treatment for aging degradation or any other appropriate measures. Because the evaluation of microcomputer software alone is very difficult, please evaluate the safety of the final products or systems manufactured by you.
 8. Please contact a Renesas Electronics sales office for details as to environmental matters such as the environmental compatibility of each Renesas Electronics product. Please use Renesas Electronics products in compliance with all applicable laws and regulations that regulate the inclusion or use of controlled substances, including without limitation, the EU RoHS Directive. Renesas Electronics assumes no liability for damages or losses occurring as a result of your noncompliance with applicable laws and regulations.
 9. Renesas Electronics products and technology may not be used for or incorporated into any products or systems whose manufacture, use, or sale is prohibited under any applicable domestic or foreign laws or regulations. You should not use Renesas Electronics products or technology described in this document for any purpose relating to military applications or use by the military, including but not limited to the development of weapons of mass destruction. When exporting the Renesas Electronics products or technology described in this document, you should comply with the applicable export control laws and regulations and follow the procedures required by such laws and regulations.
 10. It is the responsibility of the buyer or distributor of Renesas Electronics products, who distributes, disposes of, or otherwise places the product with a third party, to notify such third party in advance of the contents and conditions set forth in this document, Renesas Electronics assumes no responsibility for any losses incurred by you or third parties as a result of unauthorized use of Renesas Electronics products.
 11. This document may not be reproduced or duplicated in any form, in whole or in part, without prior written consent of Renesas Electronics.
 12. Please contact a Renesas Electronics sales office if you have any questions regarding the information contained in this document or Renesas Electronics products, or if you have any other inquiries.
- (Note 1) "Renesas Electronics" as used in this document means Renesas Electronics Corporation and also includes its majority-owned subsidiaries.
(Note 2) "Renesas Electronics product(s)" means any product developed or manufactured by or for Renesas Electronics.



SALES OFFICES

Renesas Electronics Corporation

<http://www.renesas.com>

Refer to "<http://www.renesas.com/>" for the latest and detailed information.

Renesas Electronics America Inc.
2880 Scott Boulevard Santa Clara, CA 95050-2554, U.S.A.
Tel: +1-408-588-6000, Fax: +1-408-588-6130

Renesas Electronics Canada Limited
1101 Nicholson Road, Newmarket, Ontario L3Y 9C3, Canada
Tel: +1-905-898-5441, Fax: +1-905-898-3220

Renesas Electronics Europe Limited
Dukes Meadow, Millboard Road, Bourne End, Buckinghamshire, SL8 5FH, U.K.
Tel: +44-1628-585-100, Fax: +44-1628-585-900

Renesas Electronics Europe GmbH
Arcadiastrasse 10, 40472 Düsseldorf, Germany
Tel: +49-211-65030, Fax: +49-211-6503-1327

Renesas Electronics (China) Co., Ltd.
7th Floor, Quantum Plaza, No.27 ZhiChunLu Haidian District, Beijing 100083, P.R.China
Tel: +86-10-8235-1155, Fax: +86-10-8235-7679

Renesas Electronics (Shanghai) Co., Ltd.
Unit 204, 205, AZIA Center, No.1233 Lujiazui Ring Rd., Pudong District, Shanghai 200120, China
Tel: +86-21-5877-1818, Fax: +86-21-6887-7858 / -7898

Renesas Electronics Hong Kong Limited
Unit 1601-1613, 16/F., Tower 2, Grand Century Place, 193 Prince Edward Road West, Mongkok, Kowloon, Hong Kong
Tel: +852-2886-9318, Fax: +852 2886-9022/9044

Renesas Electronics Taiwan Co., Ltd.
13F, No. 363, Fu Shing North Road, Taipei, Taiwan
Tel: +886-2-8175-9600, Fax: +886 2-8175-9670

Renesas Electronics Singapore Pte. Ltd.
1 HarbourFront Avenue, #06-10, Keppel Bay Tower, Singapore 098632
Tel: +65-6213-0200, Fax: +65-6278-8001

Renesas Electronics Malaysia Sdn.Bhd.
Unit 906, Block B, Menara Amcorp, Amcorp Trade Centre, No. 18, Jln Persiaran Barat, 46050 Petaling Jaya, Selangor Darul Ehsan, Malaysia
Tel: +60-3-7955-9390, Fax: +60-3-7955-9510

Renesas Electronics Korea Co., Ltd.
11F., Samik Laved' or Bldg., 720-2 Yeoksam-Dong, Kangnam-Ku, Seoul 135-080, Korea
Tel: +82-2-558-3737, Fax: +82-2-558-5141