

213522-1 ✓ ACTIVE

AMP | AMP M Series

TE Internal #: 213522-1

Rectangular Power Connectors, Housing, Receptacle, Cable-to-Cable, 34 Position, 3.81 mm [.15 in] Centerline, Wire & Cable, UL 94V-0, AMP M Series

[View on TE.com >](#)



Connectors > Power Connectors > Rectangular Power > Rectangular Power Connectors



Rectangular Power Connector Type: **Housing**

Connector & Housing Type: **Receptacle**

Connector System: **Cable-to-Cable**

Number of Positions: **34**

Centerline (Pitch): **3.81 mm [.15 in]**

Features

Product Type Features

Assembly Requirement	Unassembled Kit
Rectangular Power Connector Type	Housing
Connector & Housing Type	Receptacle
Connector System	Cable-to-Cable
Sealable	No
Connector & Contact Terminates To	Wire & Cable

Configuration Features

Number of Positions	34
Number of Power Positions	4
Number of Signal Positions	34
Number of Rows	4

Electrical Characteristics

Operating Voltage	250 VDC
-------------------	---------

Contact Features



Contact Current Rating (Max)	16 A
Contact Retention Within Housing	With
Contact Type	Socket

Termination Features

Termination Method to Wire & Cable	Crimp
------------------------------------	-------

Mechanical Attachment

Strain Relief	With
Contact Retention Type Within Housing	Locking Spring
Panel Mount Feature	Without
Connector Mounting Type	Cable Mount (Free-Hanging)

Housing Features

Centerline (Pitch)	3.81 mm [.15 in]
Housing Color	Black
Housing Material	Phenolic GF

Dimensions

Connector Height	52.07 mm [2.05 in]
Product Width	21.03 mm [.828 in]
Wire Size	.05 – 2 mm ²
Row-to-Row Spacing	4.57 mm [.18 in]

Usage Conditions

Operating Temperature Range	-55 – 150 °C [-67 – 302 °F]
-----------------------------	-----------------------------

Operation/Application

Circuit Application	Power & Signal
---------------------	----------------

Industry Standards

UL Flammability Rating	UL 94V-0
Glow Wire Rating	Standard Part - Not Glow Wire

Packaging Features

Packaging Quantity	1
Packaging Method	Bag

Product Compliance

[For compliance documentation, visit the product page on TE.com>](#)

EU RoHS Directive 2011/65/EU	Compliant
EU ELV Directive 2000/53/EC	Compliant
China RoHS 2 Directive MIIT Order No 32, 2016	No Restricted Materials Above Threshold
EU REACH Regulation (EC) No. 1907/2006	Current ECHA Candidate List: JUNE 2023 (235) Candidate List Declared Against: JUNE 2023 (235) Does not contain REACH SVHC
Halogen Content	Low Halogen - Br, Cl, F, I < 900 ppm per homogenous material. Also BFR/CFR/PVC Free
Solder Process Capability	Not applicable for solder process capability

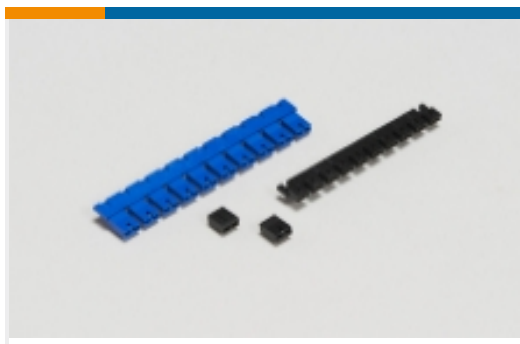
Product Compliance Disclaimer

This information is provided based on reasonable inquiry of our suppliers and represents our current actual knowledge based on the information they provided. This information is subject to change. The part numbers that TE has identified as EU RoHS compliant have a maximum concentration of 0.1% by weight in homogenous materials for lead, hexavalent chromium, mercury, PBB, PBDE, DBP, BBP, DEHP, DIBP, and 0.01% for cadmium, or qualify for an exemption to these limits as defined in the Annexes of Directive 2011/65/EU (RoHS2). Finished electrical and electronic equipment products will be CE marked as required by Directive 2011/65/EU. Components may not be CE marked. Additionally, the part numbers that TE has identified as EU ELV compliant have a maximum concentration of 0.1% by weight in homogenous materials for lead, hexavalent chromium, and mercury, and 0.01% for cadmium, or qualify for an exemption to these limits as defined in the Annexes of Directive 2000/53/EC (ELV). Regarding the REACH Regulation, the information TE provides on SVHC in articles for this part number is based on the latest European Chemicals Agency (ECHA) 'Guidance on requirements for substances in articles' posted at this URL: <https://echa.europa.eu/guidance-documents/guidance-on-reach>

Compatible Parts



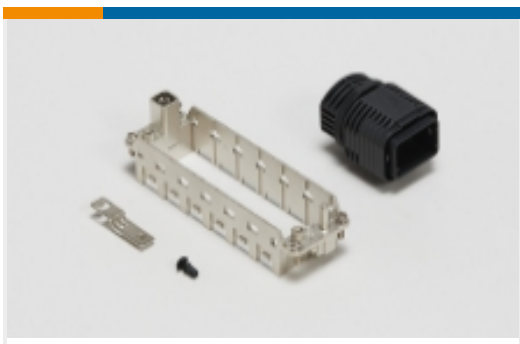
Also in the Series | **AMP M Series**



Board-to-Board Jumpers & Shunts(7)



Rack & Panel Connectors(1)



Rectangular Connector Hardware(51)



Rectangular Power Connectors(66)



Standard Edge Connectors(2)

Customers Also Bought



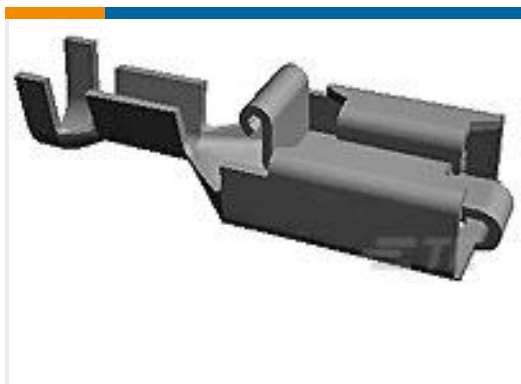
TE Part #1-178802-5
Receptacle and Tab Housing: 3.81 mm pitch, 250V



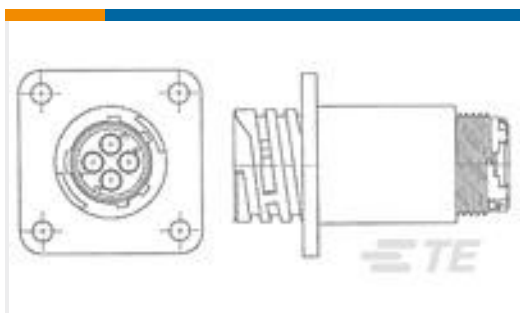
TE Part #66425-8
Strip Pin and Socket Contacts, Type III



TE Part #794277-1
09P UMNL INTERFACE SEAL



TE Part #154718-3
PL 250 REC 0.7-2.0 MM2 0.406 TPBR



TE Part #796190-1
SLD CPC RCPT ASSY,23-24,STD SX



TE Part #2-2141600-2
TAB 2.8x0.8 CONTACT CF SRC Ag



TE Part #794939-1
04P MINI UMNL CAP HSG

Documents

[Product Drawings](#)
[M-SERIES KIT 34P V.35](#)

English

[CAD Files](#)

[3D PDF](#)

[3D](#)

[Customer View Model](#)

[ENG_CVM_213522-1_F1.3d_igs.zip](#)



English

Customer View Model

[ENG_CVM_213522-1_F1.3d_stp.zip](#)

English

Customer View Model

[ENG_CVM_213522-1_F1.2d_dxf.zip](#)

English

[3D PDF](#)

English

[3D PDF](#)

3D

Customer View Model

[ENG_CVM_CVM_213522-1_J.2d_dxf.zip](#)

English

Customer View Model

[ENG_CVM_CVM_213522-1_J.3d_igs.zip](#)

English

Customer View Model

[ENG_CVM_CVM_213522-1_J.3d_stp.zip](#)

English

By downloading the CAD file I accept and agree to the [Terms and Conditions](#) of use.

Datasheets & Catalog Pages

[M_SERIES_PIN_AND_SOCKET_CONNECTORS](#)

English