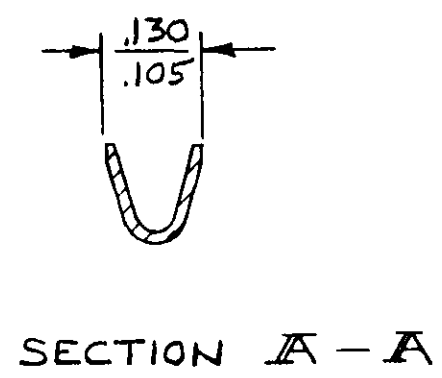
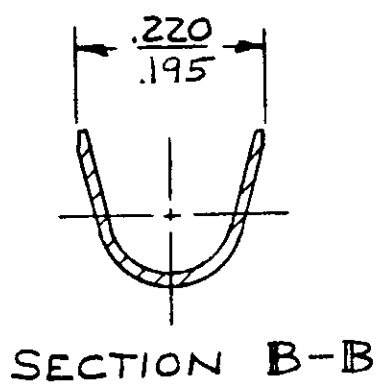
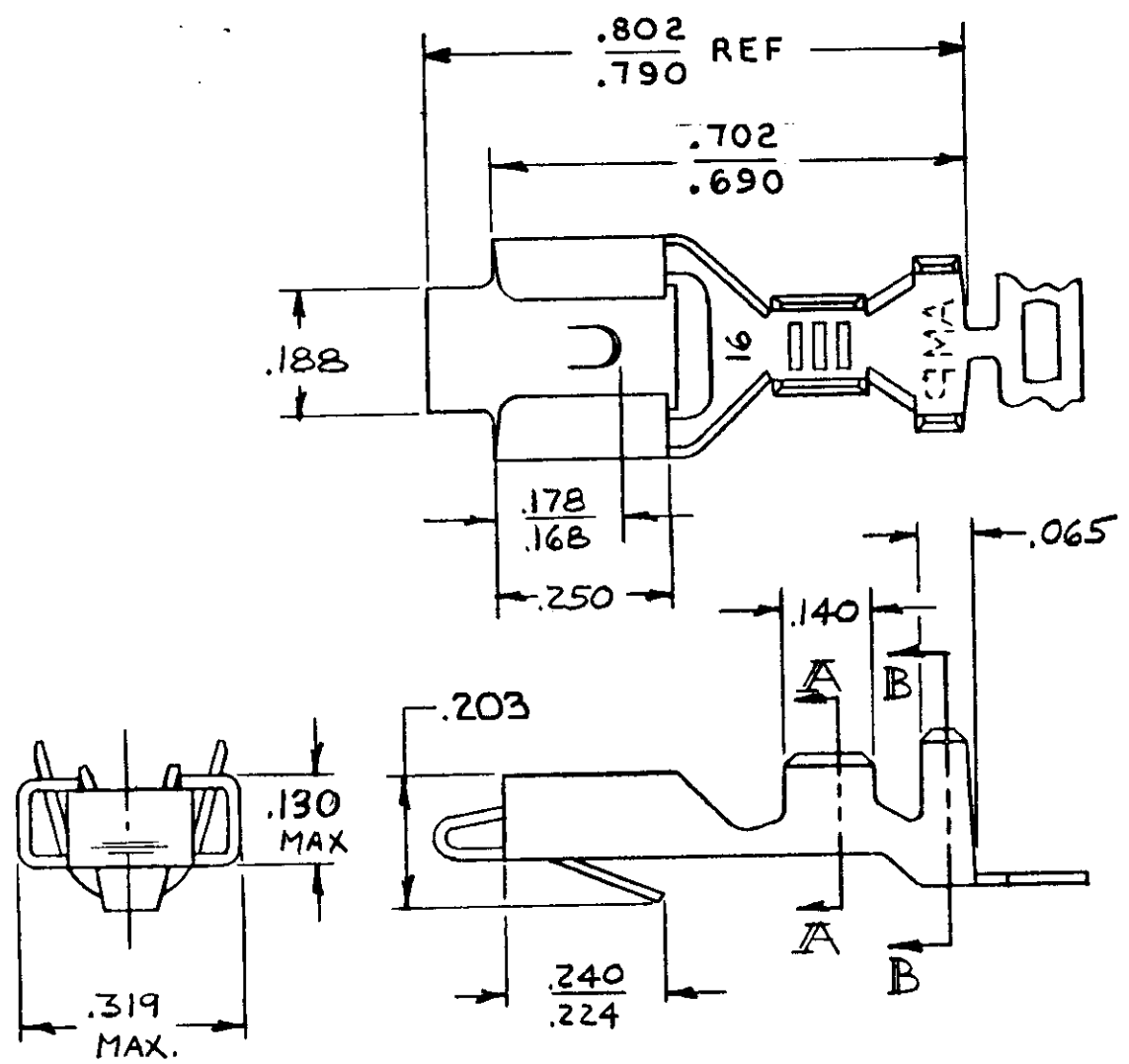


© COPYRIGHT 1978 BY AMP INCORPORATED, HARRISBURG, PA.  
 ALL INTERNATIONAL RIGHTS RESERVED. AMP INCORPORATED PRODUCTS  
 COVERED BY U. S. AND FOREIGN PATENTS AND/OR PATENTS PENDING.

| REVISIONS |      |     |                           |         |          |
|-----------|------|-----|---------------------------|---------|----------|
| P         | ZONE | LTR | DESCRIPTION               | DATE    | APPROVED |
| 1         |      | F   | REVISED PER ECR-13-005733 | 23AUG13 | PD       |
|           |      |     |                           |         |          |
|           |      |     |                           |         |          |
|           |      |     |                           |         |          |
|           |      |     |                           |         |          |



|   |             |                       |               |
|---|-------------|-----------------------|---------------|
| FINISH  | .145 MAX    | 20-16 AWG             | 640841-1      |
| INSULATION RANGE  | WIRE SIZE   | PART NO               |               |
| UNLESS OTHERWISE SPECIFIED DIMENSIONS ARE IN INCHES. TOLERANCES ON: DECIMALS ± .015 ANGLES ± 1° | CONTRACT NO |                       |               |
| MATERIAL  | DR          |                       |               |
| BRASS   | 5-24-78     | NAME                  |               |
| FINISH  | CHK         | .250 BLADE RECEPTACLE |               |
| SEE TABLE   | APPD        | SIZE                  | CODE IDENT NO |
|   | APPD        | B                     | 00779         |
|   | DSGN APPD   | DRAWING NO            | 640841        |
|   | OTHER APPD  | SCALE                 | SHEET         |