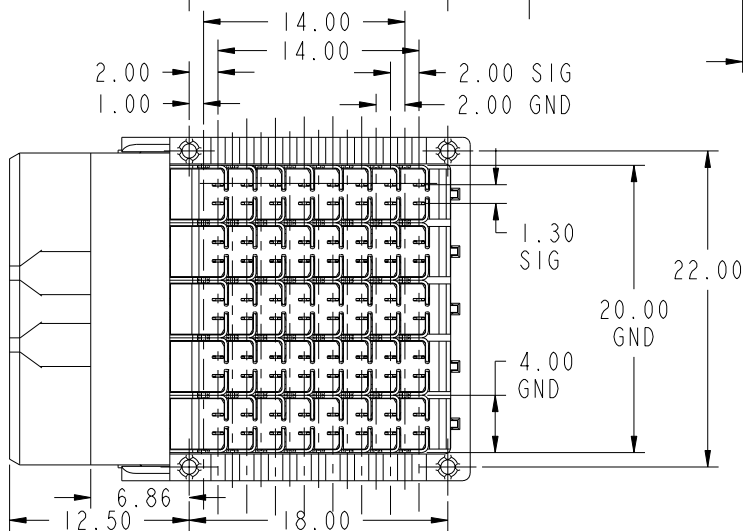
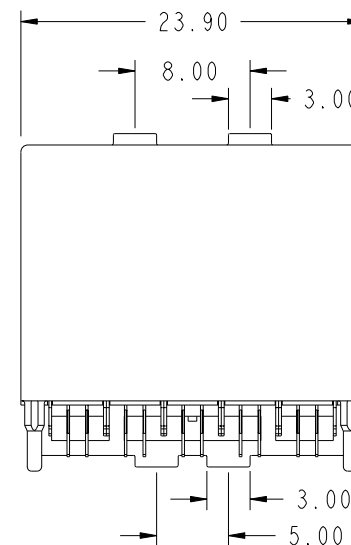
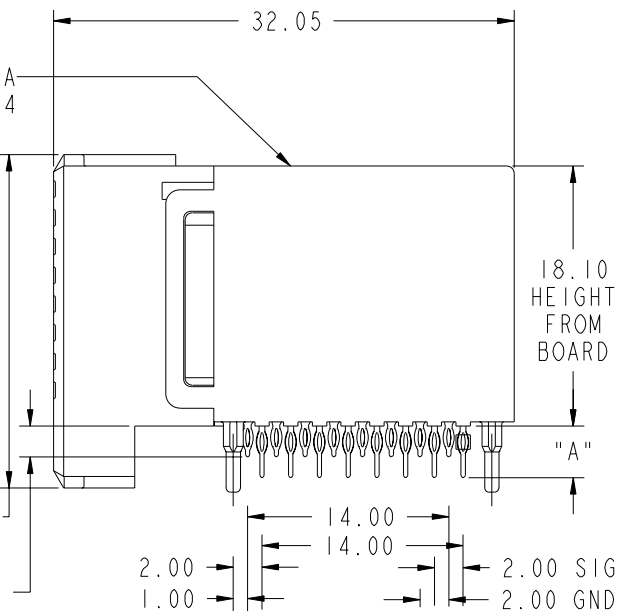
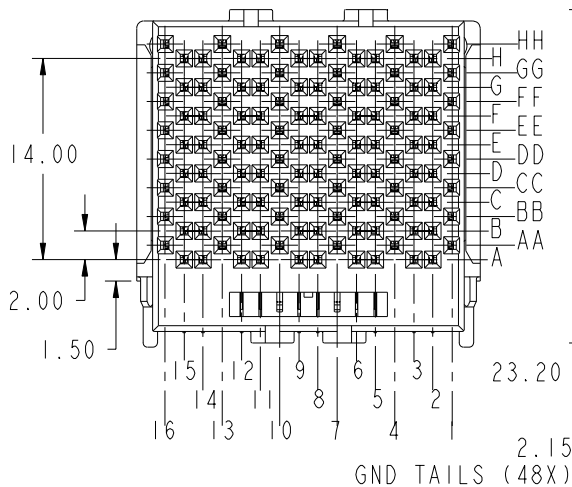


PRODUCT NUMBER  
SEE TABLE

PART MARKING AREA  
SEE NOTE 4



NOTES:

1. BODY MATERIAL: LCP, 30% GF  
FLAME RETARDANT ACC. UL 94-V0.
2. CONTACT MATERIAL: COPPER ALLOY
3. PLATING ON PRESS FIT TAIL:  
74760-XYLF IS Sn (LEAD FREE)
- ④ PRODUCT MARKING: PART NUMBER  
AND BATCH ID.
5. SEE GS-20-012 FOR APPLICATION TOOLING.
6. THE PRODUCTS MEET THE EUROPEAN UNION DIRECTIVES  
AND OTHER COUNTRY REGULATIONS AS DESCRIBED  
IN GS-22-008.
7. ALL PRODUCTS WILL WITHSTAND EXPOSURE  
TO 260°C FOR 10 SECONDS IN A CONVECTION,  
INFRA-RED OR VAPOR PHASE REFLOW OVEN, IF  
IN A DRY ATMOSPHERE.

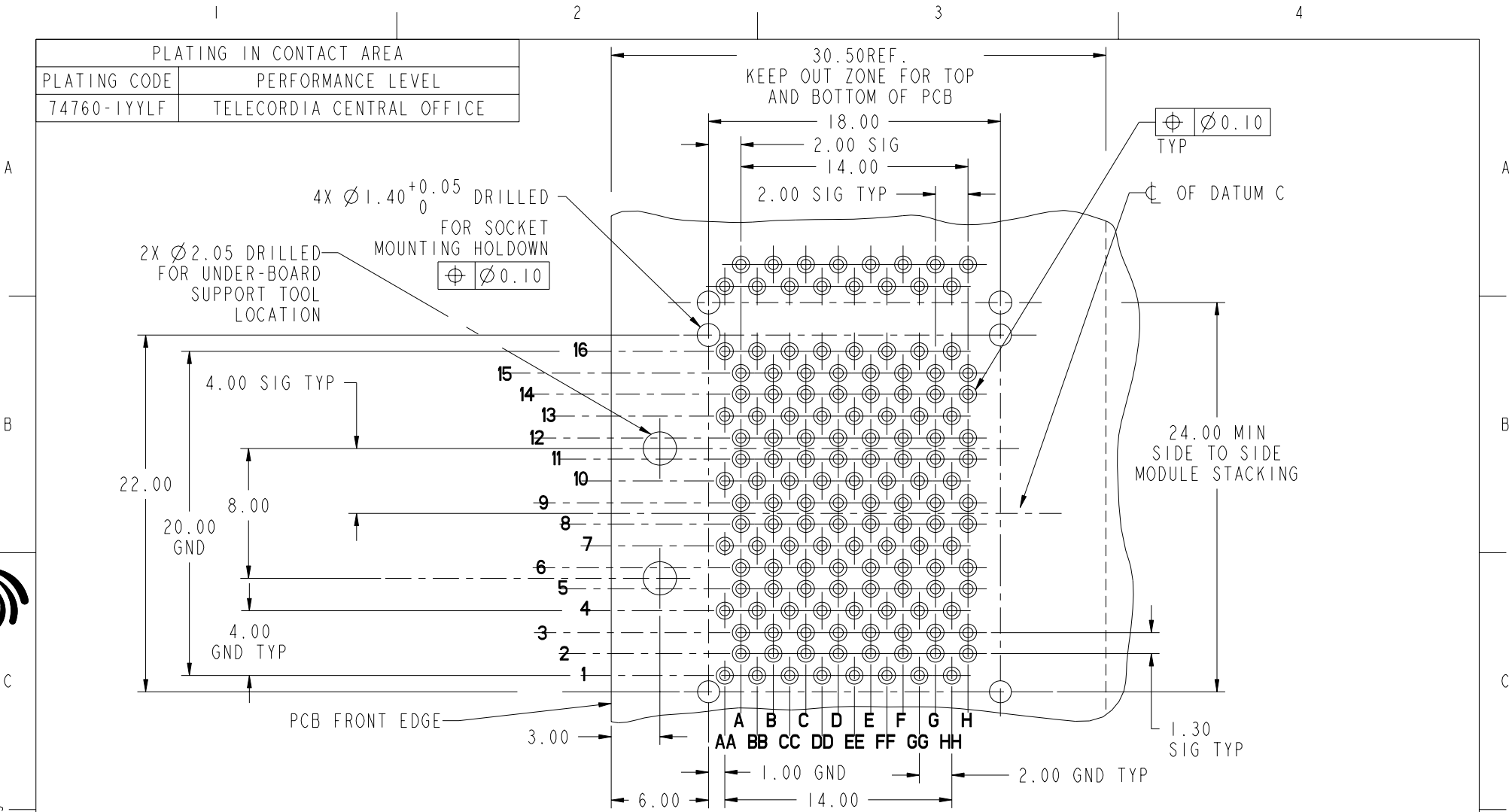


Copyright FCI.

www.fciconnect.com		surface	tolerance std	projection	MM
		TOLERANCES UNLESS OTHERWISE SPECIFIED			
Dr	LEV4	7/23/98	ANGULAR	0.X ±.3	size A4
Eng	S. STONER	7/23/98	LINEAR	0.XX ±.13	Scale 2:1
Chr	J. ORTEGA	7/31/98	0° ±2°	0.XXX ±.50	ECN M08-0141
Appr	J. ORTEGA	7/31/98	Product family METRAL(tm)		Spec ref -
FCI			METRAL 3000 R.A.		Rev. L
			RECEPT. ASSY-8X5-24MM		74760
catalog no			CUSTOMER		sheet 1 of 4

rev	ecn no	dr	date
E	V02721	SCS	01/26/01
F	V12260	JLO	10-08-01
G	HC1064	AR	12/17/01
H	V05-0325	DA1	04/11/05
J	V05-0568	TAB	07/06/05
K	M08-0132	AGS	01/05/08
L	M08-014	MHT	2008-05-20

PLATING IN CONTACT AREA	
PLATING CODE	PERFORMANCE LEVEL
74760-1YYLF	TELECORDIA CENTRAL OFFICE



PRESS-FIT HOLES	SIZE RANGE	IMMERSION Sn	IMMERSION Ag	IMMERSION Au
HOLE DIAMETER AFTER PLATING	$\varnothing 0.55 - \varnothing 0.65$	0.58-0.68	0.58-0.68	0.58-0.68
DRILLED HOLE	$\varnothing 0.675 - \varnothing 0.725$	0.71-0.76	0.71-0.76	0.71-0.76
COPPER PLATING	0.025 MIN	0.025-0.05	0.025-0.05	0.25-0.05
NICKEL PLATING				0.003-0.007
SnPb PLATING	0.005 - 0.015			
IMMERSION Sn		0.9-1.5um		
IMMERSION Ag			0.15-0.65um	
IMMERSION Au				FLASH UP TO 0.002



TITLE METRAL 3000 R.A.  
 RECEIPT. ASSY-8X5-24MM  
 catalog no

dwg no 74760  
 CUSTOMER sheet 2 of 4

Rev. L



Copyright FCI.



Copyright FCI.

A

B

C

D

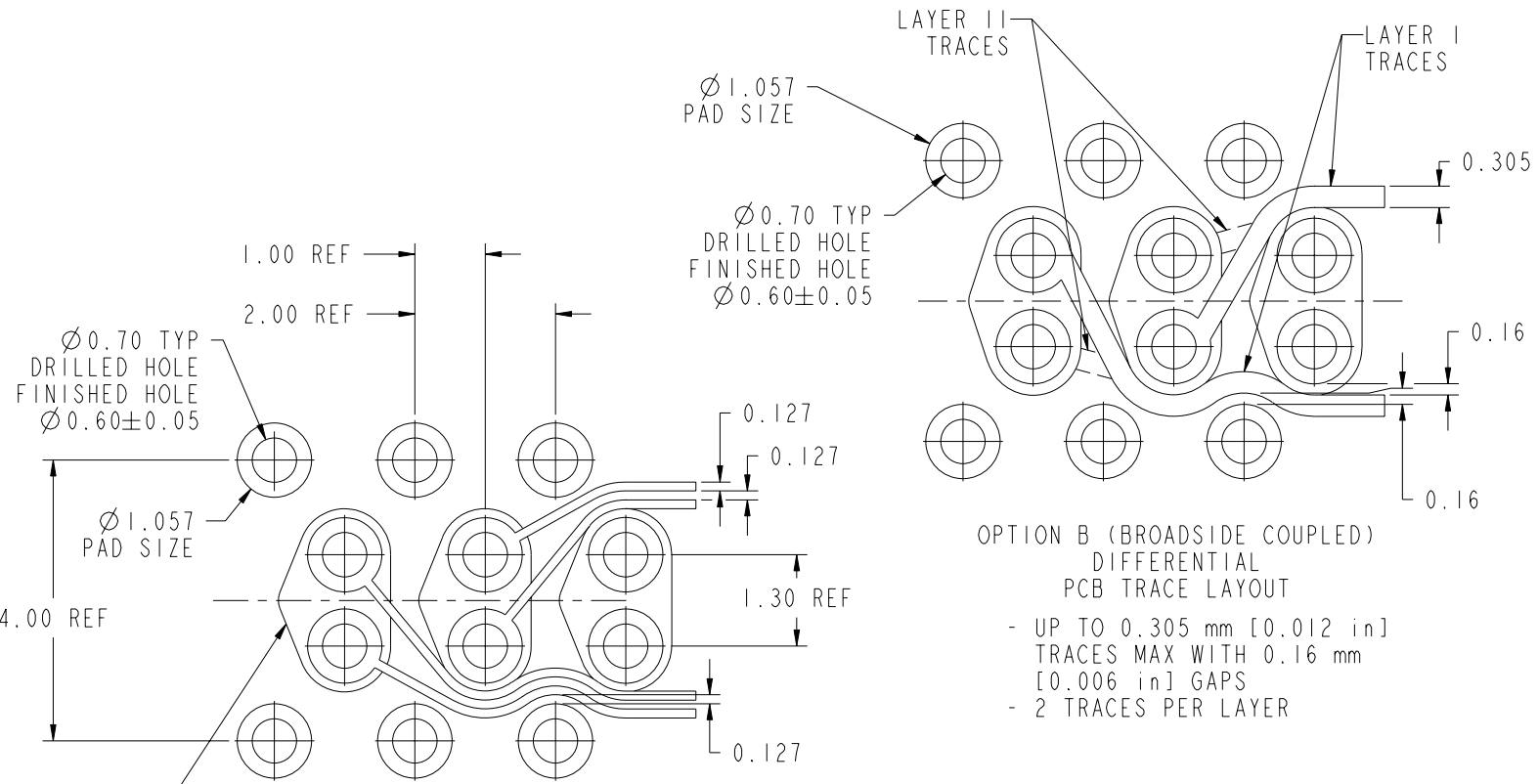
A

B

C

D

1 2 3 4



OPTION B (BROADSIDE COUPLED)  
DIFFERENTIAL  
PCB TRACE LAYOUT

- UP TO 0.305 mm [0.012 in] TRACES MAX WITH 0.16 mm [0.006 in] GAPS
- 2 TRACES PER LAYER

OPTION A (EDGE COUPLED)  
DIFFERENTIAL  
PCB TRACE LAYOUT

- 0.127 mm [0.005 in] TRACES MAX. WITH 0.127 mm [0.005 in] GAPS
- 4 TRACES (2 PAIRS) PER LAYER

SUGGESTED GROUND  
CLEARANCE PATTERN

REV F - 2006-04-17

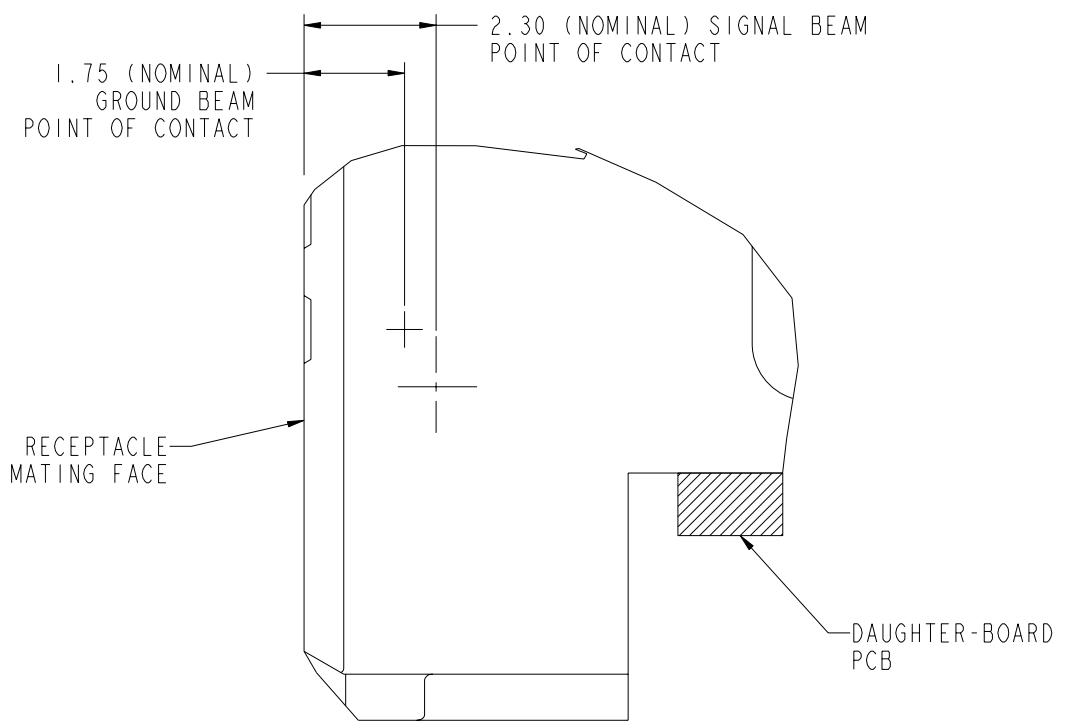
	FILE	METRAL 3000 R.A. RECEPT. ASSY-8X5-24MM	dvw no 74760	Rev. L
	CATALOG NO	CUSTOMER		

PDM: Rev:L

STATUS: Released

Printed: May 22, 2008

PRODUCT NUMBER	PCB THICKNESS	DIM "A" SIGNAL TAIL LENGTH
74760-X02LF	1.60	2.73
74760-X12LF	>= 2.40	3.53
74760-X03LF	1.60	2.73



Copyright FCI.

	title METRAL 3000 R.A. RECEPT. ASSY-8X5-24MM	dwg no 74760	Rev. L
	catalog no	CUSTOMER	sheet 4 of 4

REV F - 2006-04-17

PDM: Rev:L

STATUS: Released

Printed: May 22, 2008