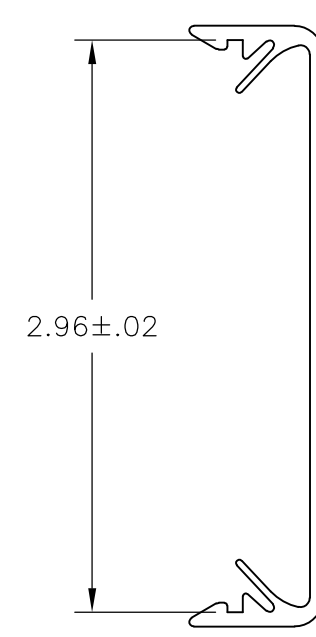
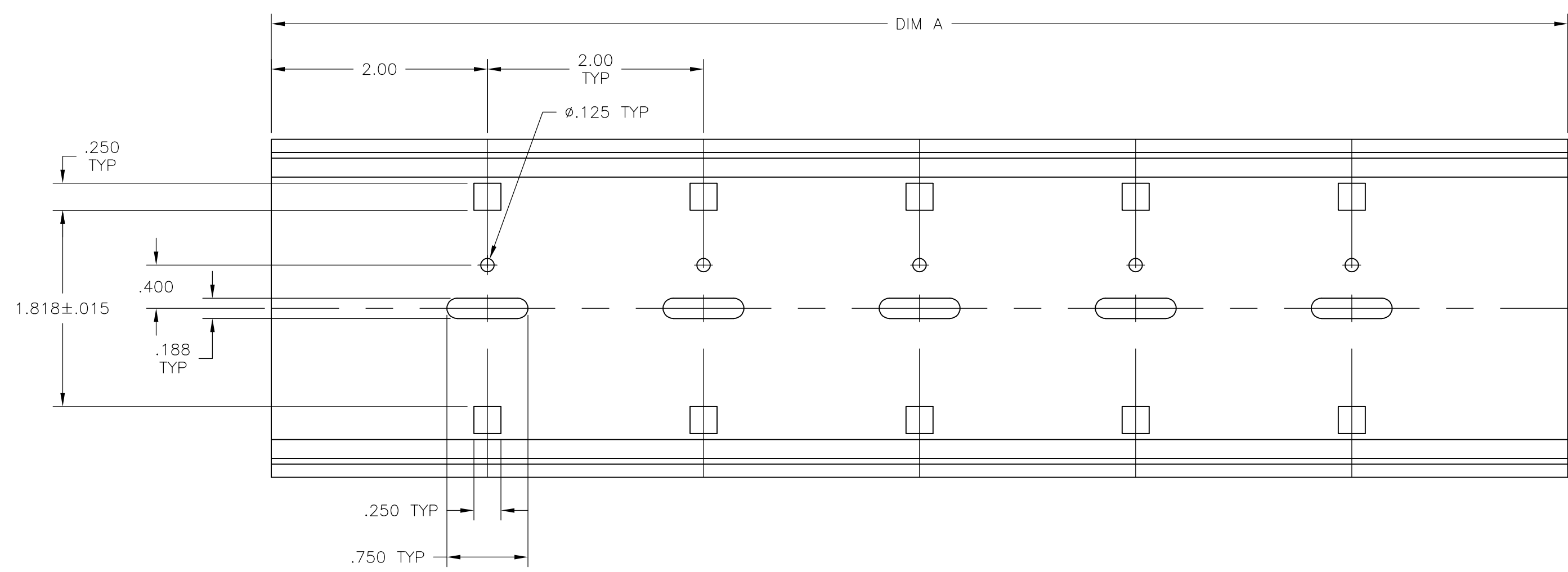


THIS DRAWING IS UNPUBLISHED. RELEASED FOR PUBLICATION
 © COPYRIGHT - By - ALL RIGHTS RESERVED.

LOC		DIST		REVISIONS			
P	LTR	DESCRIPTION		DATE	DWN	APVD	
	C	REVISED PER ECO-13-011850		13NOV2013	KH	MB	

- 1 ALL DIMENSIONS ARE ±.015 UNLESS OTHERWISE NOTED.
- 2 MATERIAL: RIGID, PVC, COLOR: GRAY
- 3 RECOMMENDED PC BOARD WIDTH 3.00"



	48.00	TK2D-48	9-1437685-1
OBSOLETE	24.00	TK2D-24	8-1437685-9
OBSOLETE	12.00	TK2D-12	8-1437685-8
	DIM A	CATALOG NUMBER	PART NUMBER

THIS DRAWING IS A CONTROLLED DOCUMENT.		DWN	S SCHLEGEL	5/6/09	TE TE Connectivity
		CHK	C RICARD	5/6/09	
		APVD	C RICARD	5/6/09	
		PRODUCT SPEC			
DIMENSIONS: INCHES	TOLERANCES UNLESS OTHERWISE SPECIFIED:	APPLICATION SPEC		NAME	
	0 PLC ± -	-		TK2D SNAPTRACK	
	1 PLC ± -	-		SIZE	
	2 PLC ± .02	-		CAGE CODE	
	3 PLC ± .005	-		DRAWING NO	
4 PLC ± -	-		RESTRICTED TO		
ANGLES ± 1°	FINISH	WEIGHT		A2 00779 C-8-1437685-8	
MATERIAL		CUSTOMER DRAWING		SCALE	NTS
				SHEET	1 of 1
				REV	C