

4

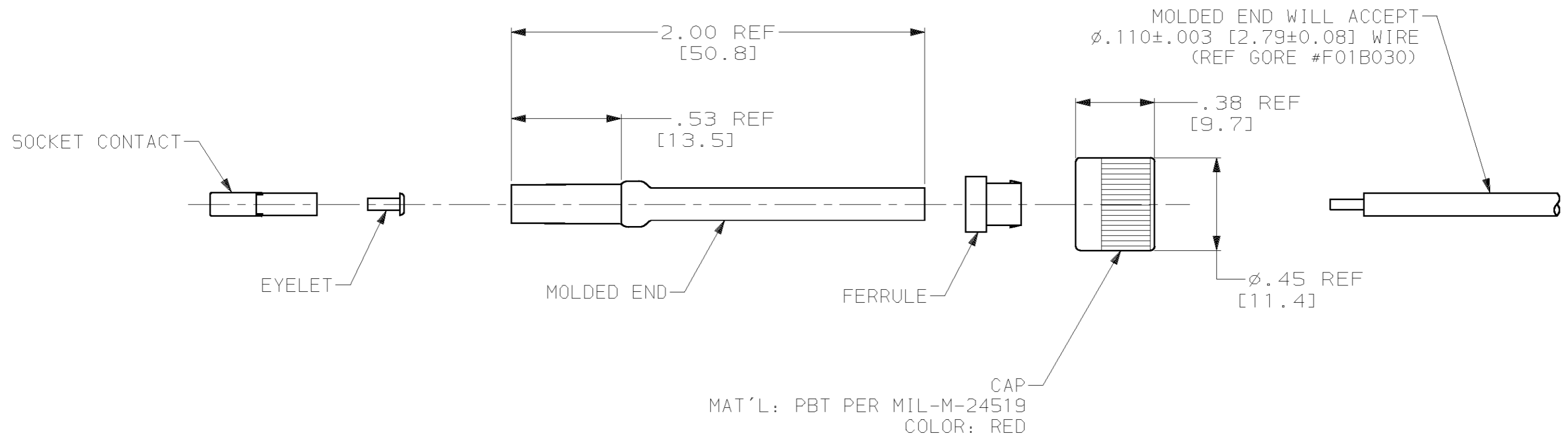
3

2

1

THIS DRAWING IS UNPUBLISHED. RELEASED FOR PUBLICATION ,19 .
 © COPYRIGHT 19 BY AMP INCORPORATED. ALL RIGHTS RESERVED.

LOC	DIST	REVISIONS			
P	LTR	DESCRIPTION	DATE	DWN	APVD
DF	50	C	REV & REDRAWN; 0G3D-0300-99	5-00	CT DE



1. TAG IS MARKED WITH AMP, AMP PART NO, DATE CODE AND CUSTOMER PART NO. (SEE TABLE) PER MIL-STD-130,

34062120-002	868287-1
CUSTOMER PART NO.	PART NUMBER

THIS DRAWING IS A CONTROLLED DOCUMENT.		DWN C.C. THOMAS 5/9/00	AMP Incorporated Harrisburg, PA 17105-3608
DIMENSIONS: INCHES [mm]		CHK D. EABY 5/9/00	
TOLERANCES UNLESS OTHERWISE SPECIFIED:		APVD D. EABY 5/9/00	NAME MOLDED END BOOT KIT, POSITIVE STOP, LGH-1/2
0 PLC ±- 1 PLC ±- 2 PLC ±- 3 PLC ±- 4 PLC ±- ANGLES ±-		PRODUCT SPEC -	SIZE A3
MATERIAL -		APPLICATION SPEC -	CAGE CODE 00779
FINISH -		WEIGHT -	DRAWING NO C-868287
		CUSTOMER DRAWING	RESTRICTED TO -
		SCALE 2:1	SHEET 1 OF 1
			REV C