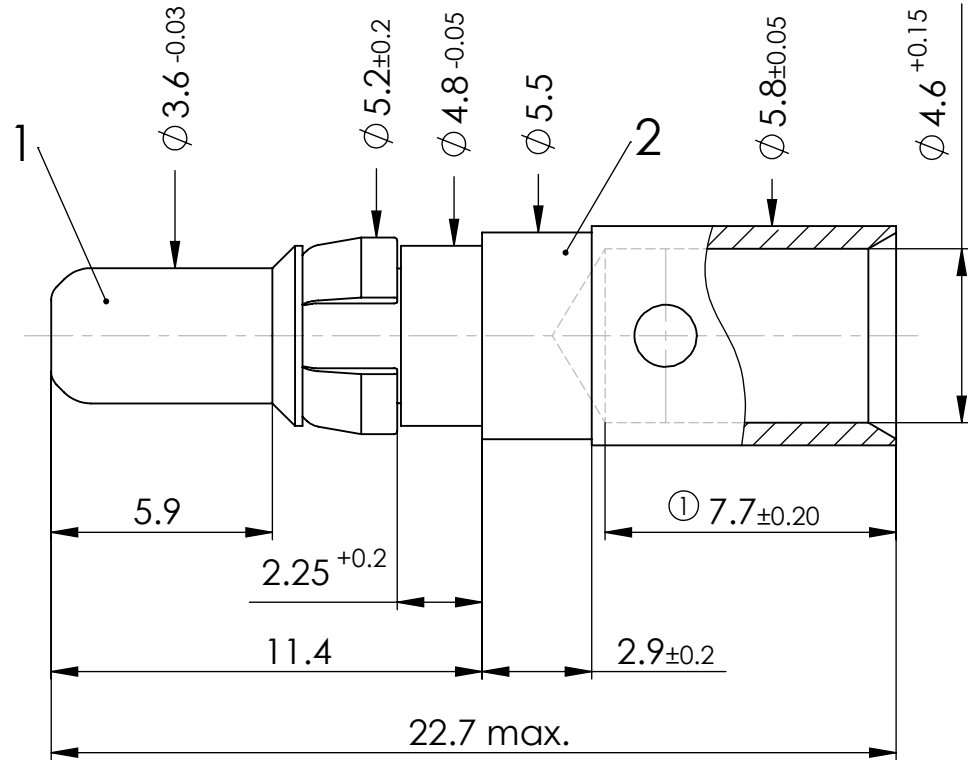
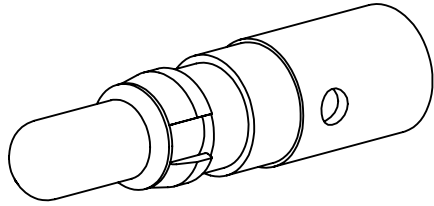


COMMENT:
 ALL RIGHTS ARE RESERVED BY US FOR THIS DRAWING. WITHOUT OUR PRIOR CONSENT,
 IT MAY NEITHER BE DUPLICATED NOR MADE AVAILABLE TO A THIRD PARTY,
 AND IT ALSO MAY NOT BE IMPROPERLY USED BY THE RECEIVER, OR A THIRD PARTY.



Text No. W-4

FCT tools: $\textcircled{2}$

Hand tool: M309

Pneumatic crimp tool: WA27-309

Die: SP994

Selector Number: $\textcircled{3}$

AWG 8 / SEL. 7
 AWG 10 / SEL. 6

CURRENT		40 A	HIGH POWER CONTACT	SCALE 5:1	DATA SHEET	$\textcircled{1}$
FOR		D-Sub				
DIMENSIONS IN MM			DRAWN	NAME / DATE		$\textcircled{2}$
MATERIAL + FINISH SEE EXTRA SHEET			CHECKED	Mzagler 14-05-2003		
UNLESS OTHERWISE SPECIFIED DIMENSIONS FOR REFERENCE ONLY			mteubel 07-01-2010		PART NO.	REV.
3	07-01-2010	11621			FMP004P	3
REV.	DATE	INDEX			ORIGINAL: DIN A4-DRAWING AS A FILE	REPLACEMENT FOR: