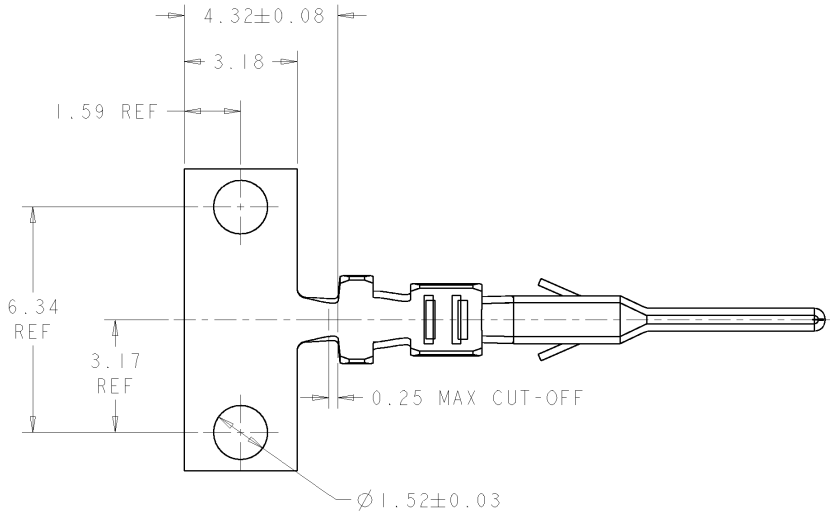
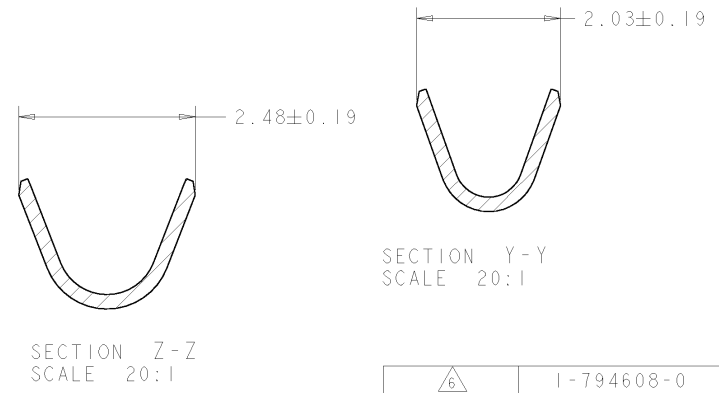
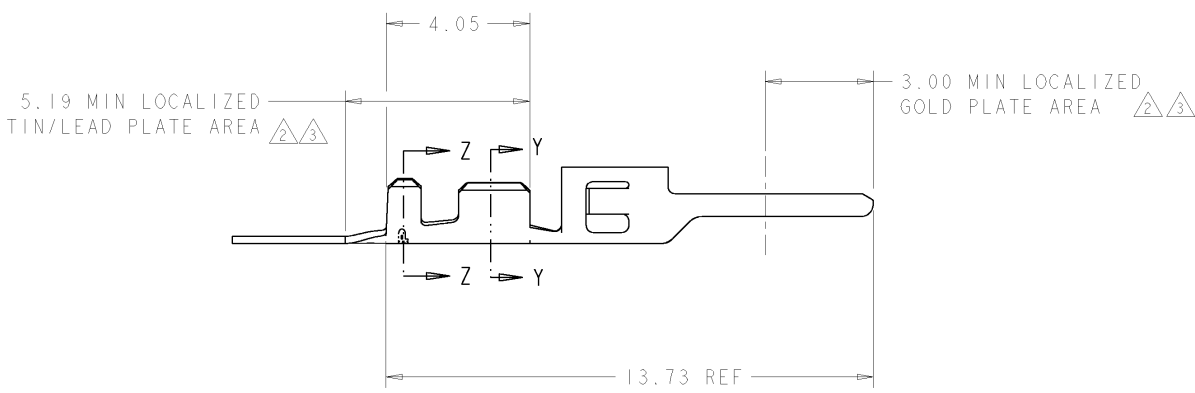


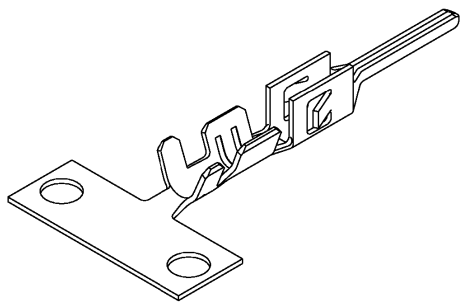
LOC	DIST	REVISIONS					
CM	00	P	LTN	DESCRIPTION	DATE	DRN	APVD
		B		REVISED PER 0G3B-0289-03	24-JUN-03	RW	CJ
		C		REVISED PER 0G3B-0519-03	24-JUN-03	RW	CJ



- 1. 2.54 µm MIN BRIGHT TIN/LEAD ENTIRE STOCK OVER 1.27 µm MIN NICKEL ENTIRE STOCK.
- 2. 0.38 µm MIN GOLD IN LOCALIZED GOLD PLATE AREA, 2.54 µm MIN BRIGHT TIN/LEAD IN LOCALIZED TIN/LEAD PLATE AREA, BOTH OVER 1.27 µm MIN NICKEL ON ENTIRE STOCK.
- 3. 0.76 µm MIN GOLD IN LOCALIZED GOLD PLATE AREA, 2.54 µm MIN BRIGHT TIN/LEAD IN LOCALIZED TIN/LEAD PLATE AREA, BOTH OVER 1.27 µm MIN NICKEL ON ENTIRE STOCK.
- 4. WIRE RANGE 20-24 AWG.
- 5. INSULATION RANGE 0.89-1.52
- 6. 2.54 µm MIN BRIGHT TIN ENTIRE STOCK OVER 1.27 µm MIN NICKEL ENTIRE STOCK.



6	1-794608-0
3	794608-3
2	794608-2
1	794608-1
FINISH	PART NUMBER



<small>THIS DRAWING IS A CONTROLLED DOCUMENT OF TYCO ELECTRONICS CORPORATION. IT IS SUBJECT TO CHANGE AND THE USER HAS THE OBLIGATION TO CONTACT THE SUPPLIER FOR THE LATEST REVISIONS AND/OR DATUMS.</small>		DRN: W J RUDY 29AUG2000 CHN: W DAVIS 29AUG2000 APVD: W DAVIS 29AUG2000	NAME: PLUG CONTACT, CRIMP SNAP, 20-24 AWG, MICRO MATE-N-LOK™ SIZE: A2 CAGE CODE: 00779 DRAWING NO: C-794608	Tyco Electronics Harrisburg, PA 17105-3608	RESTRICTED TO: - SHEET: 10 OF 11 REV: C
DIMENSIONS: mm 	TOLERANCES UNLESS OTHERWISE SPECIFIED: 0 PLC ± 1 PLC ±0.13 2 PLC ± 3 PLC ± 4 PLC ± ANGLES FINISH ±	PRODUCT SPEC: - APPLICATION SPEC: - WEIGHT: -	CUSTOMER DRAWING	tyco Electronics logo	SCALE: 10:1