

21 mm - 2 or 4 Relays RTMA4 Part number 88896206



- Miniature plug-in timer (21 x 27 mm)
- Function A : Delay on energisation
- Multi-range 0.1 s to 10 h
- Excellent noise resistance
- Relay output, 2 or 4 changeover contacts

Part numbers

| | Type | Functions | Relay outputs | Nominal rating | Supply voltage | Absorbed power (W) |
|------------|-------|-----------|--------------------|----------------|----------------|--------------------|
| 88 896 206 | RTMA4 | A | 4 timed changeover | 5 A AC | 110 V AC | 2,6 |

Specifications

| | |
|--|---|
| Timing ranges | 0,1 →1s 1 →10s 0,1 →1 min 1 →10 min 0,1 →1h 1 →10 h |
| Display precision | -0 % / + 10 % at 25 °C of full scale, according to CEI/EN61812 |
| Repetition accuracy (with constant parameters) | ± 0,5 % |
| Drift Temperature | ± 0,05 %/ °C |
| Drift Voltage | ± 0,2 %/V |
| Maximum reset time by de-energisation during timed delay | 50 ms |
| Maximum reset time by de-energisation after timing | 250 ms |
| Operating range | ±15 % of supply (AC) ±10 % of supply (DC) |
| Frequency (Hz) | 50/60 Hz ± 1 Hz |
| Immunity from micro power cuts : typical | < 5 ms |
| Ripple | ± 10 % (DC) |
| Operating factor | 100 % |
| Maximum power rating (resistive) | 1250 VA / 120 W |
| Minimum current | 100 mA |
| Maximum breaking voltage | 250 V AC |
| Type of contacts | AgNi |
| Max. permitted number of operations at 1 max 250 V AC resistive per hour | 600 |
| Electrical life at I max. 250 V AC resistive (number of operations) | 10 ⁵ |
| Mechanical life (operations) | 10 ⁷ |
| Breakdown voltage conforming to IEC/EN 61812-1 and 60601-1 | 2 kV at 1 mA / 1 min / 50 Hz |
| Display of output state by LED | Green : power on yellow : output on |
| Conformity to standards | CEI/EN61812-1, CEI/EN60601-1, EN50081-2, EN61000-6-2, CEI/EN60601-1-2, Directives BT (73/23/CEE + 93/68/CEE (CE marking)) + CEM (89/336/CEE) |
| Approvals | UL - cUL |
| Temperature limits use (°C) | -20 →+60 |
| Temperature limits stored (°C) | -40 →+70 |
| Insulation coordination (IEC/EN 60664-1) | 4 kV / surge category 3 |
| Degree of protection IEC 60529 | IP 50 (casing) |
| Vibration resistance acc. to IEC/EN 60068-2-6 | f = 10 →55 Hz A = 0,35 mm |
| Relative humidity (no condensation) | 95 % max (CEI 60068-2-3) |
| Electromagnetic compatibility (EMC) | Class 2 according to EN61812-1/A11 |
| Immunity to electrostatic discharges acc. IEC/EN 61000-4-2 | Level III (Air 8 K : contact 6kV) |
| Immunity to radiated, radio-frequency, electromagnetic field acc. IEC/EN 61000-4-3 | Level III (10 V/m : 26 M Hz to 1 G Hz / 900 M Hz) |
| Immunity to rapid transient bursts acc. to IEC/EN 61000-4-4 | Level III (Direct 2 kV : coupled 1kV) |
| Immunity to radio frequency in common mode acc. to IEC/EN 61000-4-6 | Level III (10 V (rms) : 0,15 M Hz to 80 Mhz) |
| Immunity to shock waves according to IEC/EN 61000-4-5 | AC : level III (common mode 2 kV, differential mode : 1 kV) DC : MC/MD : 0,5 kV |
| Immunity to voltage dips and breaks acc. to IEC/EN 61000-4-11 | 30 % / 10 ms 60 % / 100 ms / 1 s > 95 % 5 s |

Mains-borne and radiated emissions acc. to EN 55022
(CISPR22), EN55011 (CISPR11)

Class B

Housing material

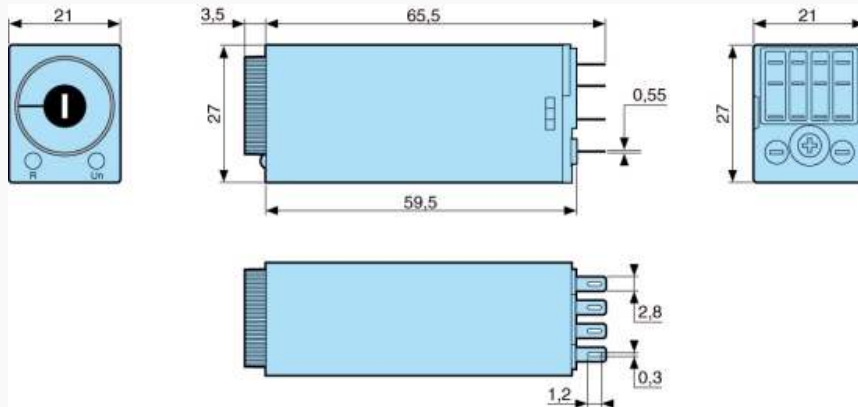
Self-extinguishing

Weight (g)

55

Dimensions (mm)

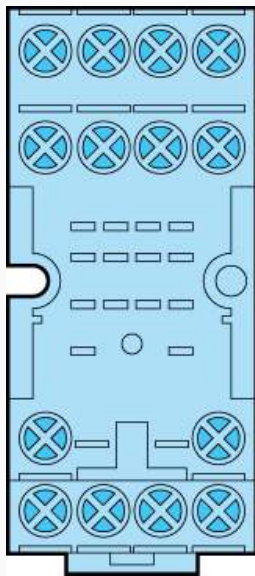
RTMA2 / RTMA4



Dimensions (mm)

Base for DIN rail mounting

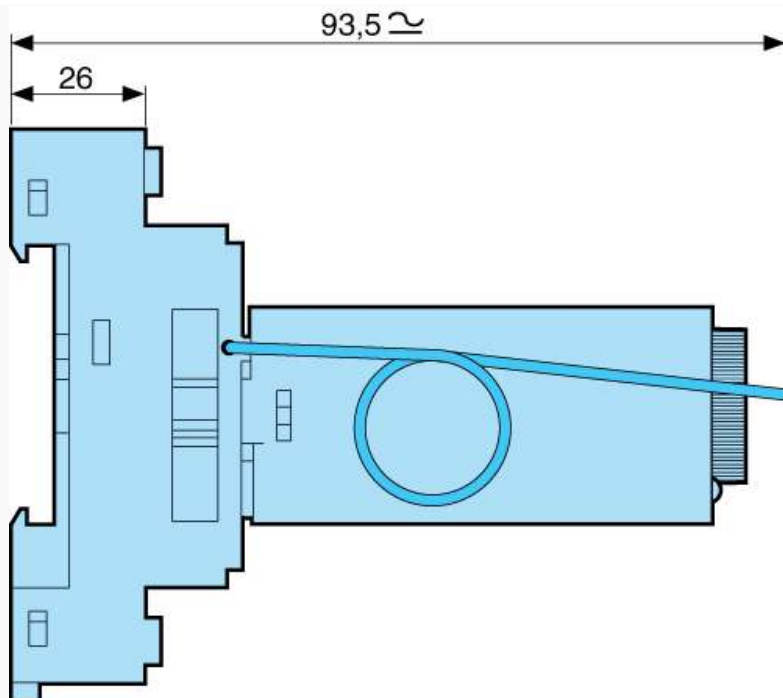
RTMA4 - 26 532 706



Dimensions (mm)

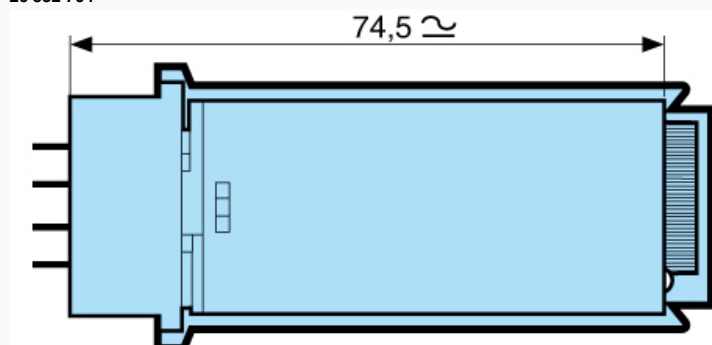
Spring clips for terminal base

26 532 702



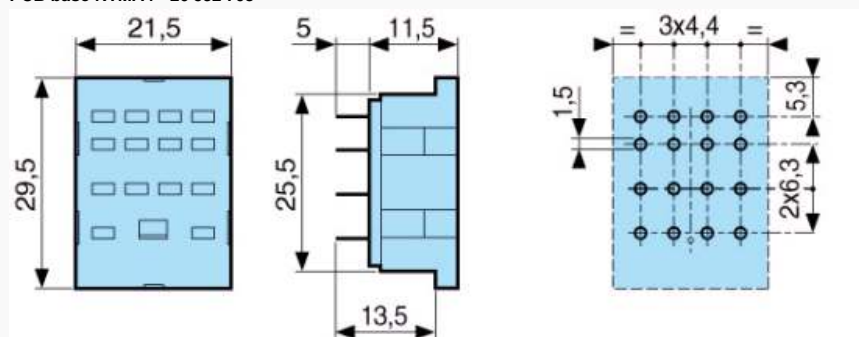
Dimensions (mm)

Spring clips for P.C.B. base
26 532 704



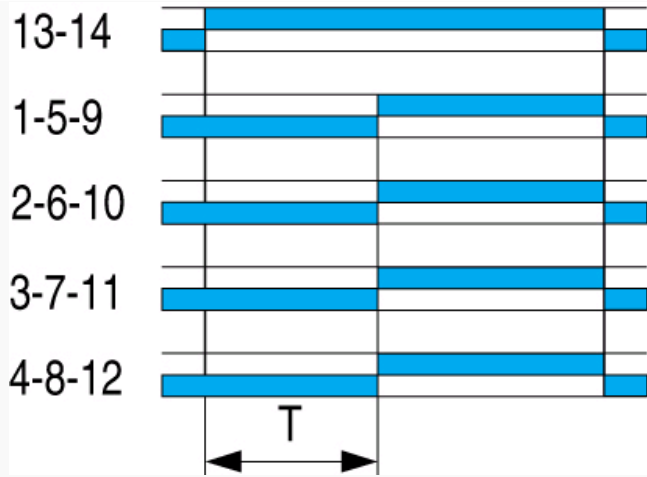
Dimensions (mm)

PCB base RTMA4 - 26 532 708



Curves

RTMA4

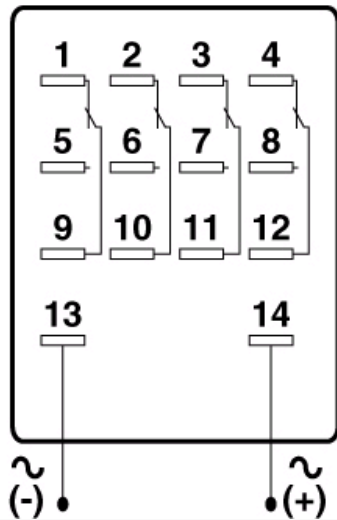
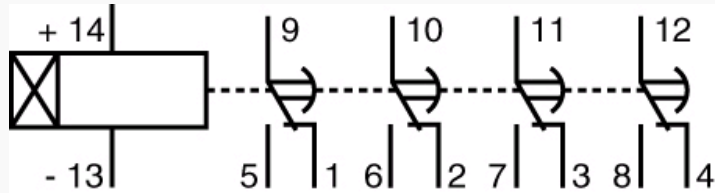


Function A

*** TRADUCTION MANQUANTE ***

Connections

RTMA4



| N° 2-3 | Legend |
|--------|---|
| | Supply |
| | Timed or instantaneous (switch set to "INST") relay outputs |