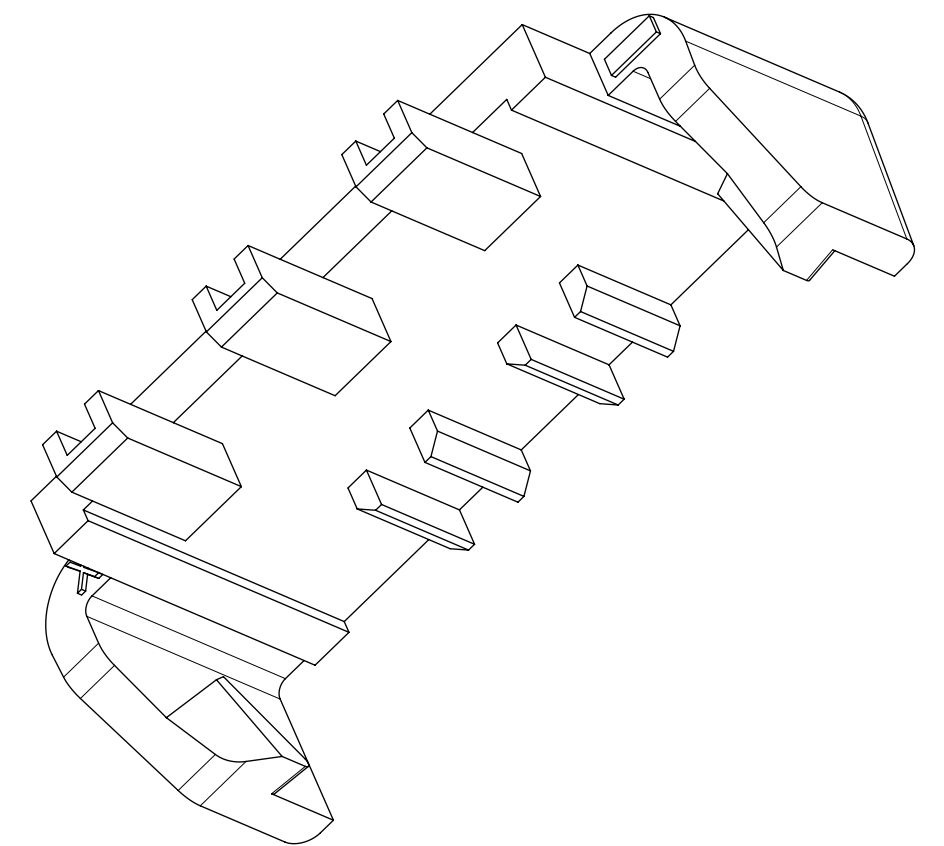
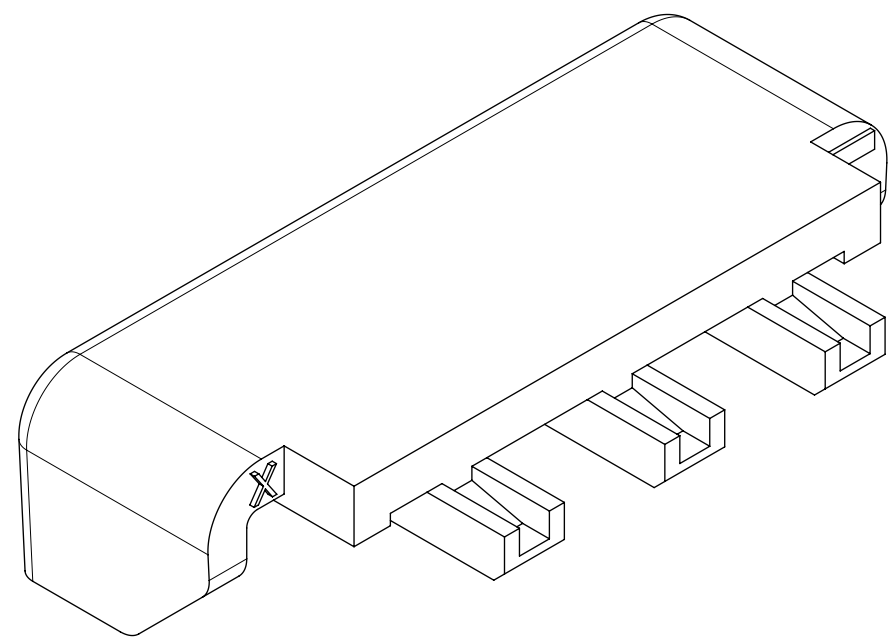
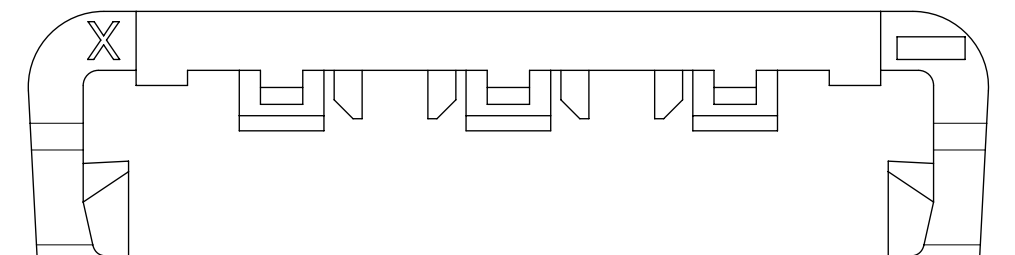
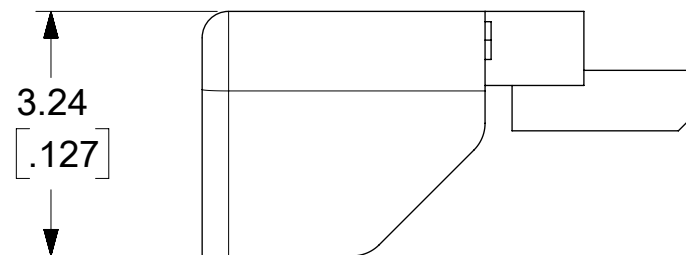
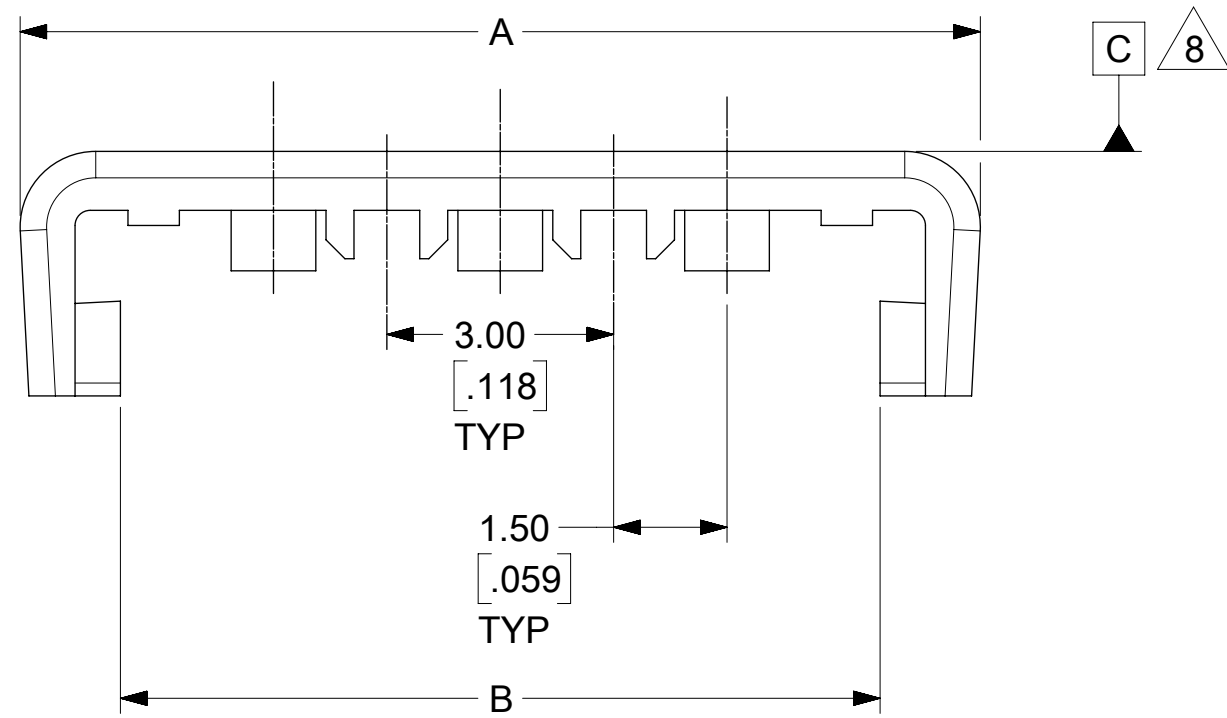


- NOTES:
- 1) MATERIAL: UNFILLED NYLON, RATED UL94V-2, IEC60335-1 GLOW WIRE CAPABLE, COLOR: NATURAL(WHITE).
 - 2) FINISH: NONE
 - 3) PRODUCT SPECIFICATION: PS-43045
 - 4) PACKAGING SPECIFICATION: BULK PER 1729530001-PK
 - 5) FOR USE WITH: 172952-XX02 RECEPTACLE OR 203632-XX1X PLUG HOUSINGS. NEVER USE WITHOUT TPA.
 - 6) THIS PART CONFORMS TO CLASS B REQUIREMENTS OF COSMETIC SPEC PS-45499-002
 - 7) TEXT ON PART IS FOR REFERENCE ONLY. TEXT AND TEXT LOCATION MAY VARY DEPENDING ON PART NUMBER AND/OR TOOL.
 - 8 BOW 0.38 / .015 MAX PER 25.4 / 1.00 ON SURFACE C
 - 9 CIRCUIT SIZE INDICATES THE SIZE OF THE MATCHING DUAL-ROW RECEPTACLE HOUSING. TWO TPA STRAPS ARE REQUIRED FOR EACH RECEPTACLE HOUSING.
 - 10) SEE SD-172952-002 (RECEPTACLE) OR 2036320010-SD (PLUG) FOR INSTALLATION INSTRUCTIONS



172953-0602 SHOWN

| | | | |
|------------|-------------|-------------------|-------------------|
| 24 | 172953-2402 | 39.70 / 1.563 | 37.05 / 1.459 |
| 22 | 172953-2202 | 36.70 / 1.445 | 34.05 / 1.341 |
| 20 | 172953-2002 | 33.70 / 1.327 | 31.05 / 1.222 |
| 18 | 172953-1802 | 30.70 / 1.209 | 28.05 / 1.104 |
| 16 | 172953-1602 | 27.70 / 1.091 | 25.05 / .986 |
| 14 | 172953-1402 | 24.70 / .973 | 22.05 / .868 |
| 12 | 172953-1202 | 21.70 / .854 | 19.05 / .750 |
| 10 | 172953-1002 | 18.70 / .736 | 16.05 / .632 |
| 8 | 172953-0802 | 15.70 / .618 | 13.05 / .514 |
| 6 | 172953-0602 | 12.70 / .500 | 10.05 / .396 |
| 4 | 172953-0402 | 9.70 / .382 | 7.05 / .278 |
| CKT SIZE 9 | PART NUMBER | DIM A ±0.51/±.020 | DIM B ±0.38/±.015 |

THIS DRAWING CONTAINS INFORMATION THAT IS PROPRIETARY TO MOLEX ELECTRONIC TECHNOLOGIES, LLC AND SHOULD NOT BE USED WITHOUT WRITTEN PERMISSION

| DIMENSION UNITS | | SCALE | | CURRENT REV DESC: CHANGE COLOR | |
|------------------------------------------------------|--------|------------------------|----------------------------|--------------------------------|--|
| MM/IN | | 10:1 | | | |
| GENERAL TOLERANCES (UNLESS SPECIFIED) | | | | | |
| | MM | INCH | | | |
| 4 PLACES | ± | ± | EC NO: 602458 | | |
| 3 PLACES | ± | ± 0.01 | DRWN: RLALSANGI 2018/02/07 | | |
| 2 PLACES | ± 0.25 | ± 0.015 | CHK'D: SSOUSEK 2018/09/12 | | |
| 1 PLACE | ± 0.38 | ± | APPR: FSMITH 2018/09/20 | | |
| 0 PLACES | ± | ± | INITIAL REVISION: | | |
| ANGULAR TOL ± 0.5 ° | | THIRD ANGLE PROJECTION | | DRWN: MCOLE 2016/02/24 | |
| DRAFT WHERE APPLICABLE MUST REMAIN WITHIN DIMENSIONS | | DRAWING | | SERIES 2016/03/24 | |
| | | C-SIZE | | 172953 | |

molex

MICRO-FIT DUAL ROW TPA GLOW WIRE FOR RECEPTACLE AND PLUG HOUSINGS

PRODUCT CUSTOMER DRAWING

| DOCUMENT NUMBER | DOC TYPE | DOC PART | REVISION |
|-----------------|----------|----------|----------|
| SD-172953-002 | PSD | 001 | B |

| MATERIAL NUMBER | CUSTOMER | SHEET NUMBER |
|-----------------|----------------|--------------|
| SEE CHART | GENERAL MARKET | 1 OF 1 |