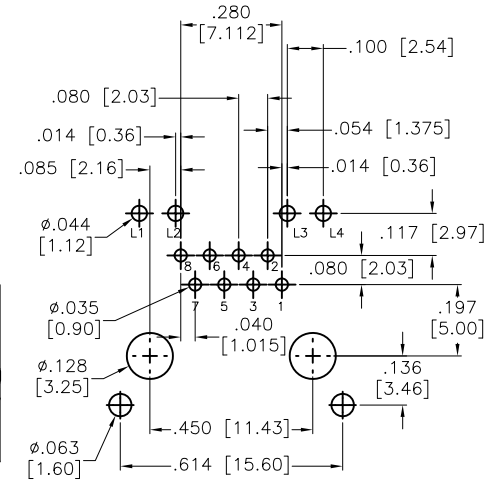
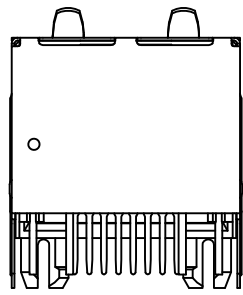
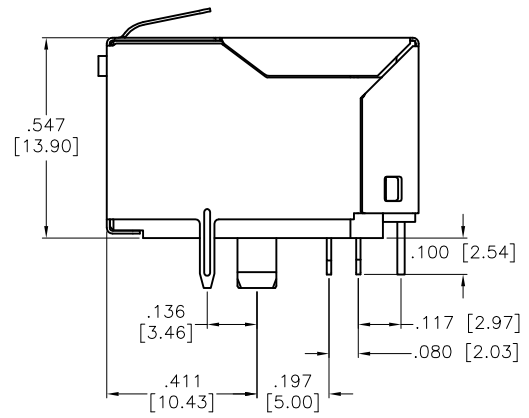
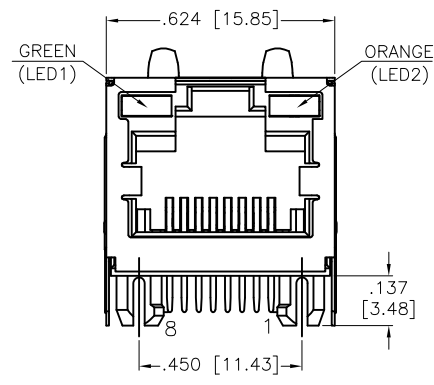
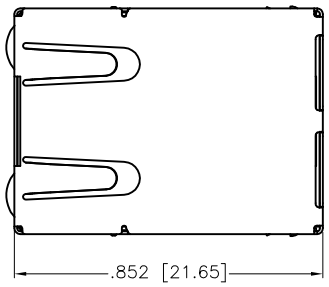
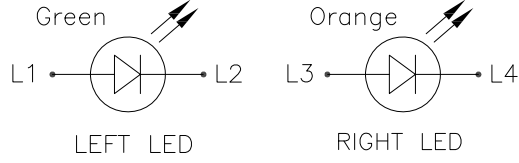


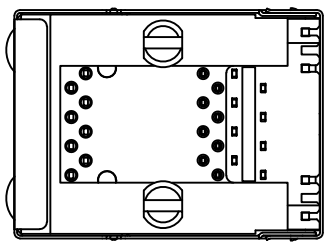
Rev	AWO #	Description	Date	Appr
-		RELEASED	8/9/18	

APPROVED: \_\_\_\_\_  
DATE: \_\_\_\_\_ TITLE: \_\_\_\_\_



Frequency MHz	Near-End Cross talk dB, Min	Return Loss dB, Min	Insertion loss dB, Max
1.0	75.0	30.0	0.10
4.0	75.0	30.0	0.10
8.0	75.0	30.0	0.10
10.0	74.0	30.0	0.10
16.0	69.9	30.0	0.10
20.0	68.0	30.0	0.10
25.0	66.0	30.0	0.10
31.25	64.1	30.0	0.11
62.5	58.1	30.0	0.16
100.0	54.0	28.0	0.20
200.0	48.0	22.0	0.28
250.0	46.0	20.0	0.32
300.0	42.9	18.5	0.35
400.0	37.9	16.0	0.40
500.0	34.0	14.0	0.45

**SPECIFICATIONS:**  
Material:  
Insulator: Hi-temp thermoplastic, rated UL 94V-0  
Insulator color: Black  
Contacts: Copper Alloy  
Shield: Stainless Steel, with Tin Dip on Solder Tabs  
Contact Plating:  
Selective Gold plating for Mating Surface, 50u" Nickel under plate  
100u" Matte Tin plating on Contact Solder Tail  
Electrical:  
Voltage rating: 125 VAC  
Current rating: 1.25 Amp  
Insulation resistance: 500 Mohms min  
Dielectric withstanding voltage: 1,000 VAC RMS 60Hz, for 1 minute  
Temperature Rating:  
Operating temperature: -40°C to +85°C  
Storage Temperature: -40°C to +85°C  
Environmental:  
Recommended Solder Process: Wave Solder, peak temperature 260°C for 10 seconds.  
Mates with Modular Plug Conforming to TIA-1096 Standard  
Lead free, RoHS compliant.



UNLESS OTHERWISE SPECIFIED  
ALL DIMENSIONS ARE INCHES [MM]  
TOLERANCES: EXCEPT AS NOTED

INCHES		HOLES	
.X	± .10	∅X	± .10
.XX	± .020	∅XX	± .015
.XXX	± .015	∅XXX	± .010

APPROVALS		DATE
DRAWN	HR	8/9/18
CHECKED	AC	8/9/18
APPROVED		

**ADAM TECH INTERCONNECTS** 909 Rahway Avenue, Union, NJ 07083  
Phone: 908-687-5000 Fax: 908-687-5710

TITLE: MODULAR TELEPHONE JACK, 8P8C, PCB TYPE CAT6A, W/ LED1 GREEN, LED2 ORANGE

SIZE	PART NO.	REV.
X	MTJ-88TUX1-FS2-PG2T-L5-C6A-HT	-

REF: S00101C SCALE: NTS SHEET 1 OF 1