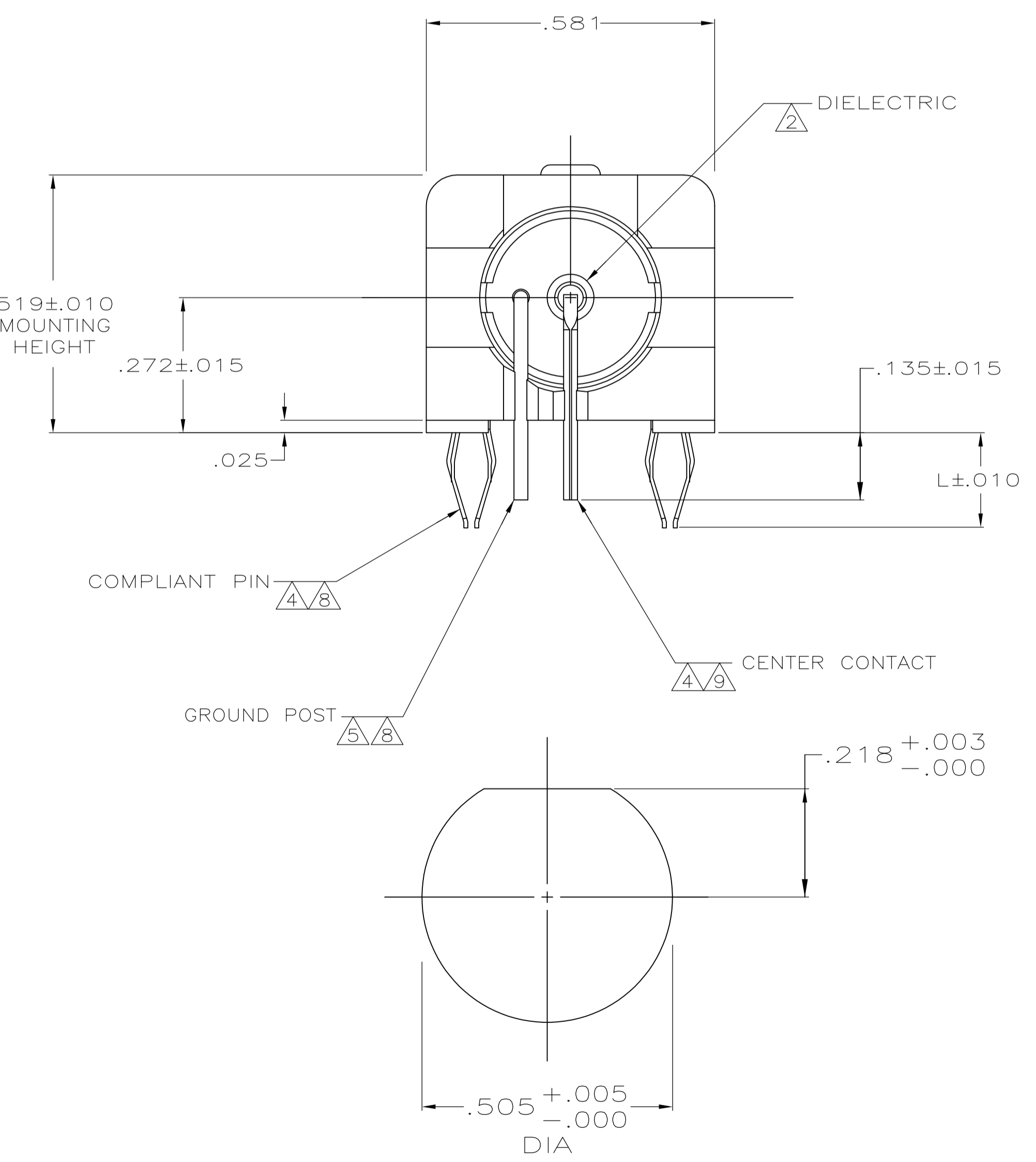
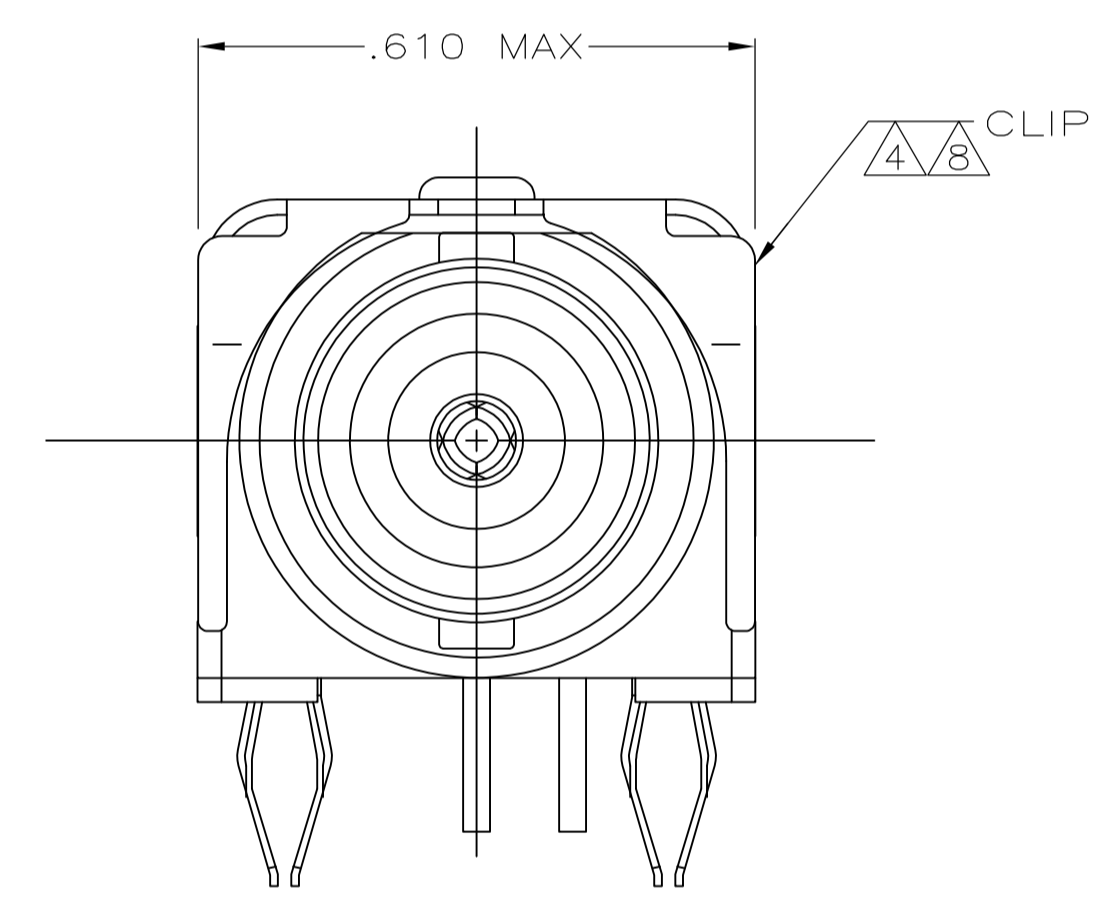
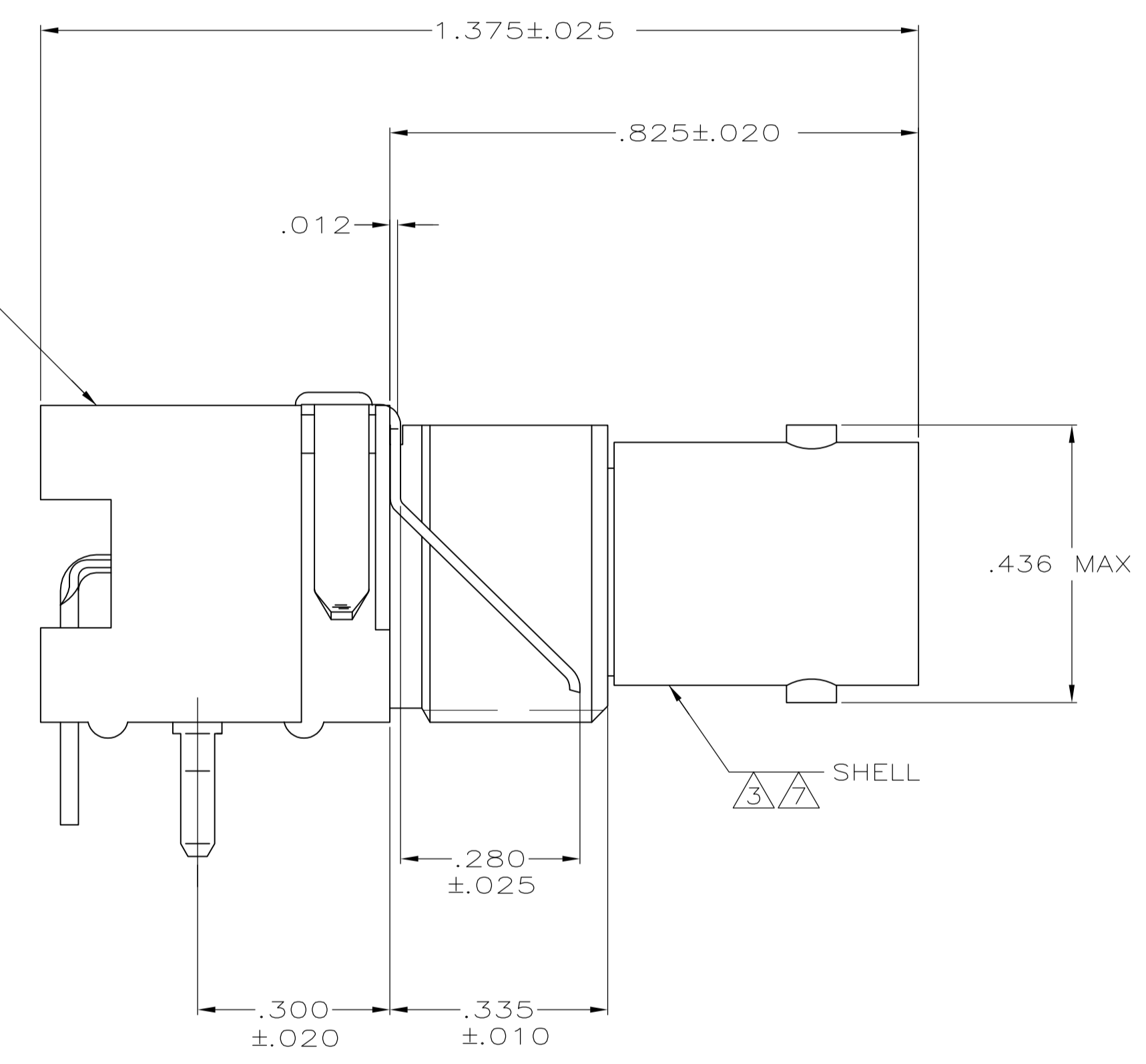
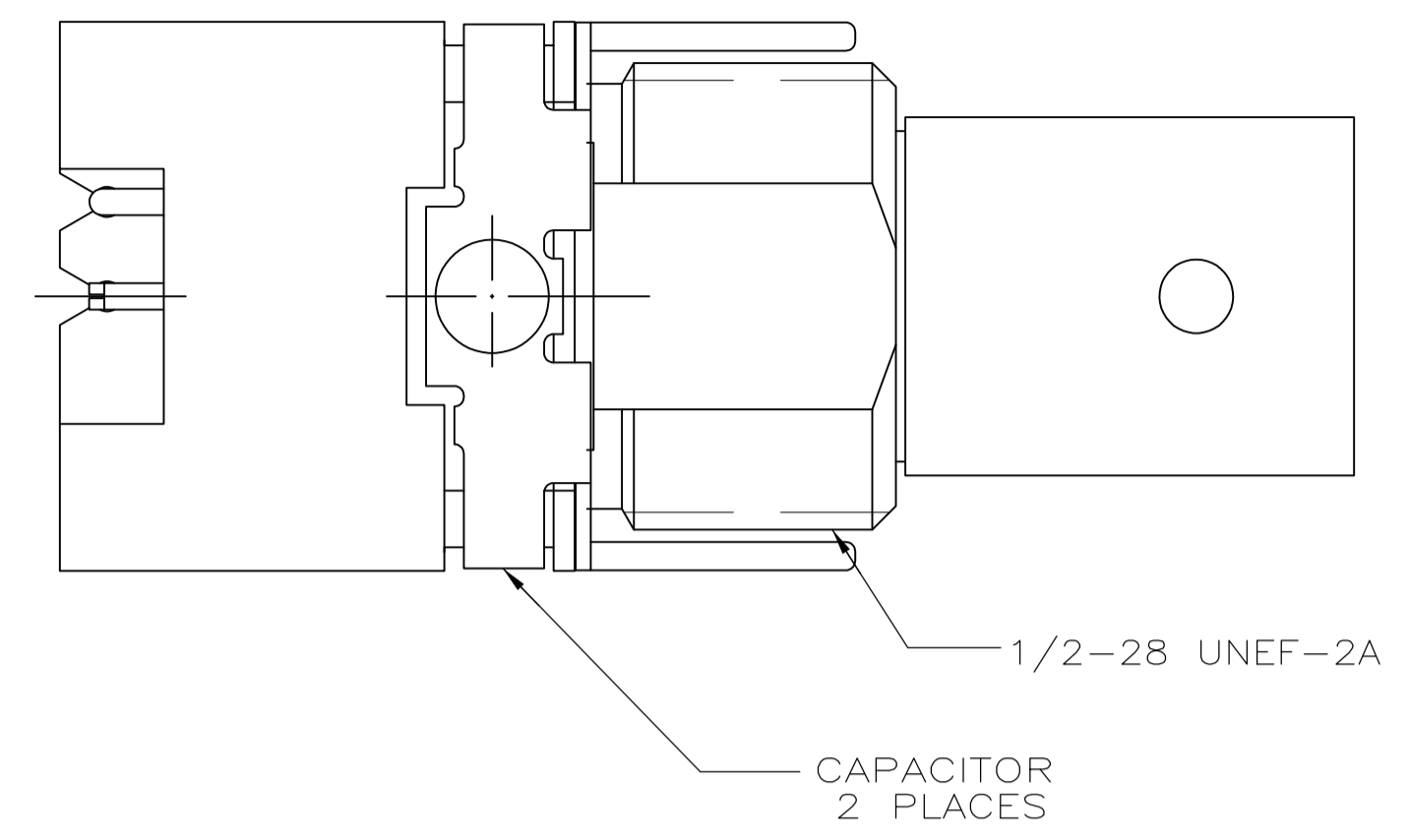


P.C.B. CONFIGURATION
SCALE=10:1



RECOMMENDED PANEL CUTOUT



- ① POLYESTER, PCT, BLACK, 30% GLASS FILLED
- ② POLYMETHYLPENTENE, GENERAL PURPOSE
- ③ ZINC PER QQ-Z-363
- ④ PHOSPHOR BRONZE PER QQ-B-750
- ⑤ BRASS PER ASTM-B-16
- ⑥ BRASS PER ASTM-B-453
- ⑦ NICKEL PL PER QQ-N-290
- ⑧ TIN PLATE PER ASTM-B-545
- ⑨ SELECTIVELY GOLD PLATED ON INTERFACE AREA PER ASTM-B-488, .000030 THK, TIN PLATE ON SOLDER TAIL PER ASTM-B-545, ALL OVER NICKEL PLATE PER QQ-N-290

.110	9400 pf, 500 VDC	5414284-2
L	CAPACITANCE & VOLTAGE	PART NO
THIS DRAWING IS A CONTROLLED DOCUMENT. DIMENSIONS: INCHES TOLERANCES UNLESS OTHERWISE SPECIFIED: 0 PLC ± - 1 PLC ± - 2 PLC ± - 3 PLC ± .008 4 PLC ± - ANGLES ± - MATERIAL THRU FINISH THIS DRAWING IS UNPUBLISHED. RELEASED FOR PUBLICATION BY TYCO ELECTRONICS CORPORATION. ALL RIGHTS RESERVED.		
BIN J. ALCORTA - DOCK 5 CIK J. HAVENER APVD J. LIPPERT PRODUCT SPEC 108-1269 APPLICATION SPEC		Tyco Electronics Corporation Harrisburg, PA 17105-3608 NAME JACK, DECOUPLER, RIGHT ANGLE, LOW PROFILE, SERIES BNC SIZE CAGE CODE DRAWING NO RESTRICTED TO WEIGHT A1 00779 C=5414284 CUSTOMER DRAWING SCALE 5:1 SHEET 1 OF 1 REV B