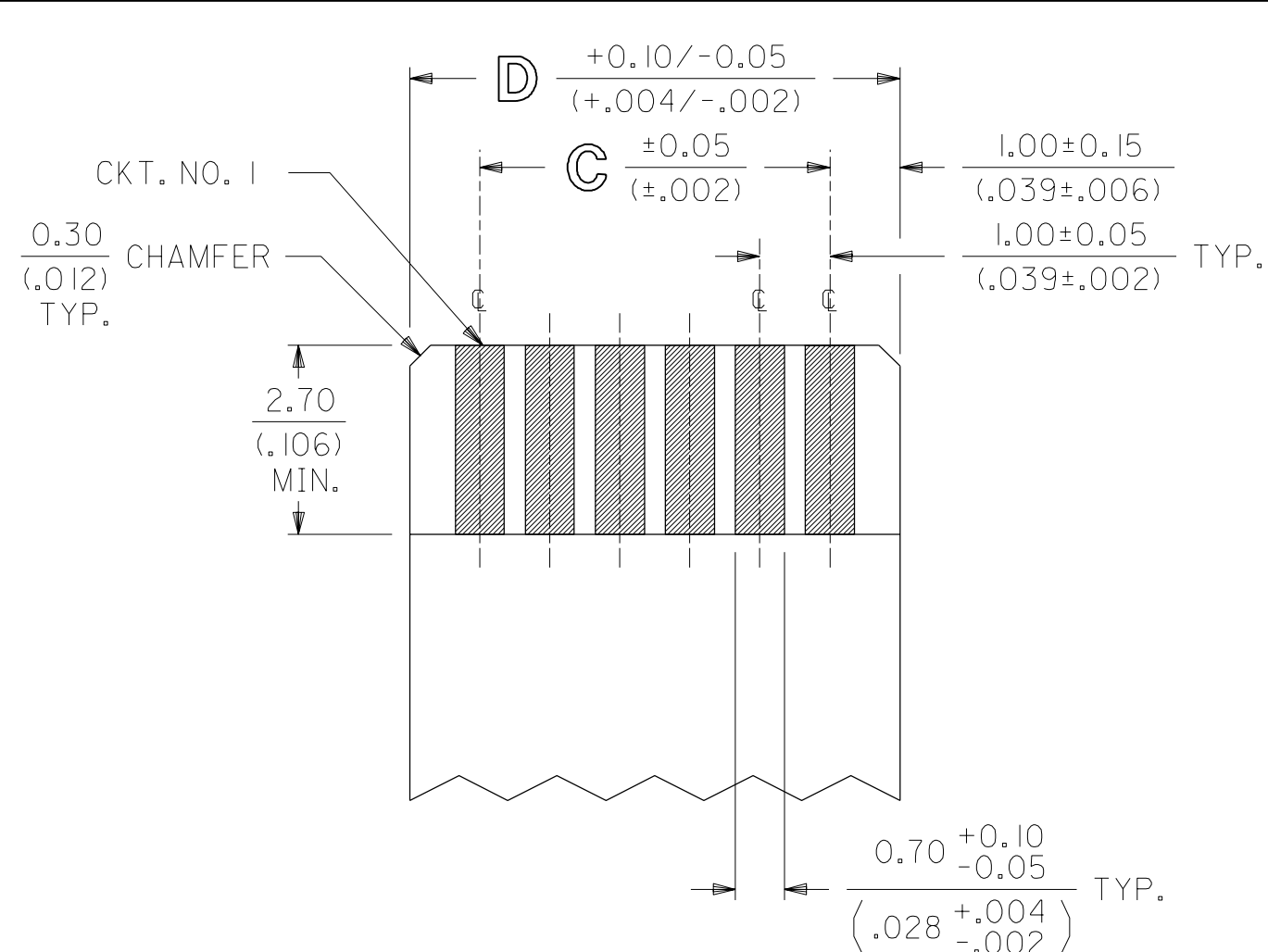
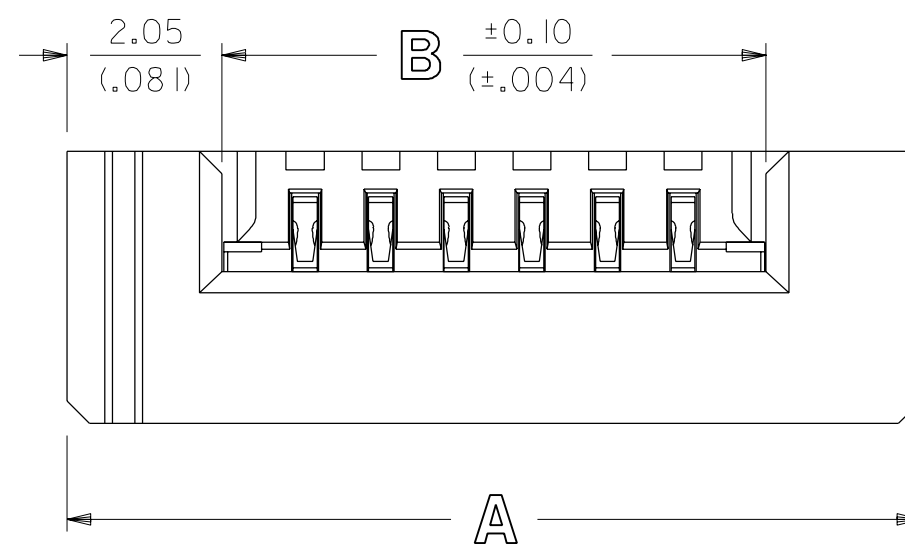
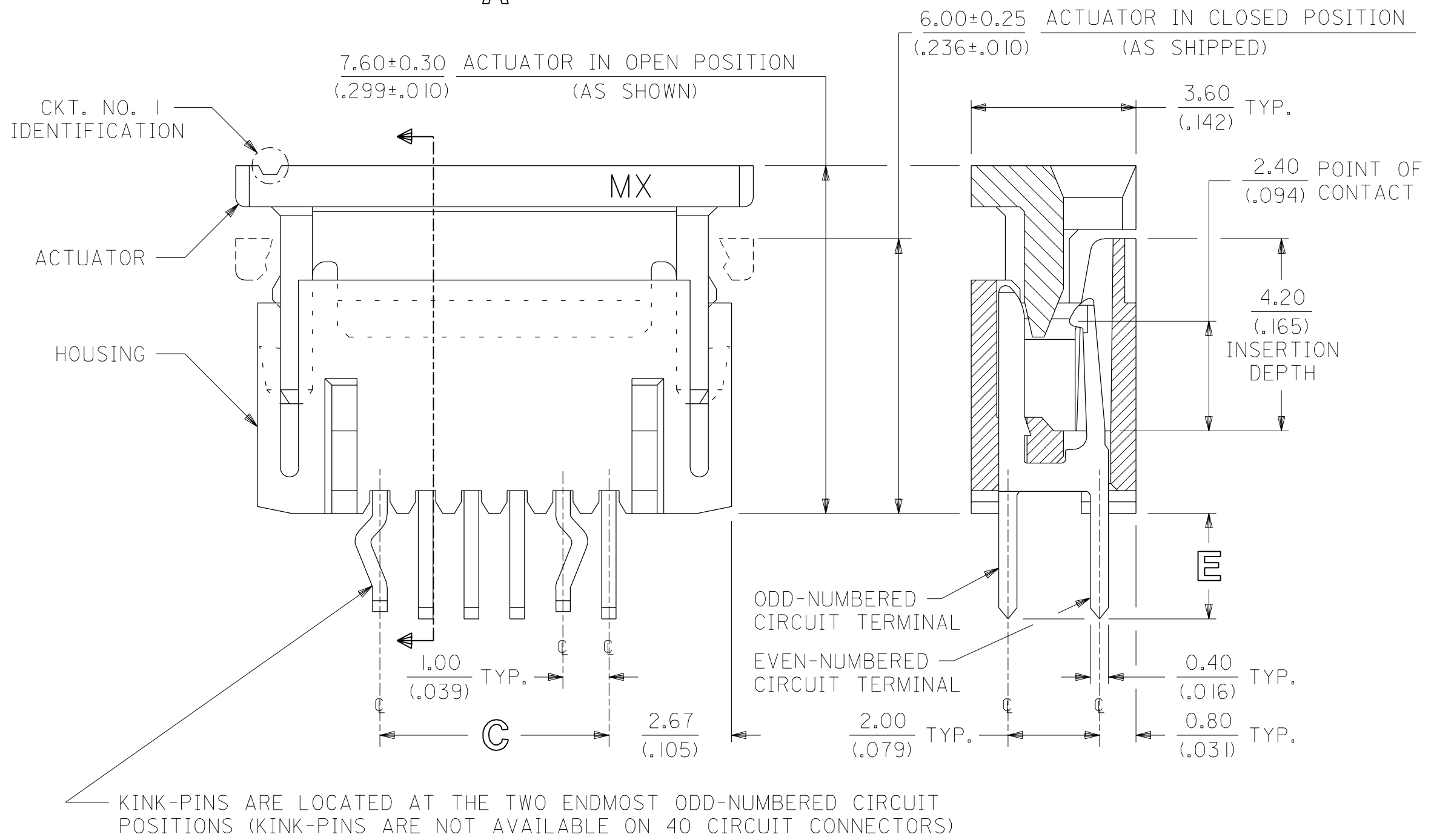


NOTES:

- 1) CONNECTOR MATERIALS:
HOUSING IS MADE OF NYLON (SEE CHART ON SHEET 2 FOR COLOR) AND ACTUATOR IS MADE OF LCP [LIQUID CRYSTAL POLYMER] (COLOR IS BLUE), BOTH ARE GLASS-FILLED AND RATED U.L. 94V-0; TERMINALS ARE 0.32/(.013) THICK PHOSPHOR BRONZE.
- 2) TERMINAL FINISH:
5.0 MICROMETERS/200 MICROINCHES MINIMUM TIN OVER 1.3 MICROMETERS/ 50 MICROINCHES MINIMUM NICKEL UNDERPLATE OVERALL.
- 3) THIS CONNECTOR CONFORMS TO PRODUCT SPECIFICATION PS-71226.
- 4) SEE SHEET 2 FOR CONNECTOR PART NUMBERS, PACKAGING OPTIONS, AND DIMENSIONS NOT SHOWN BELOW.

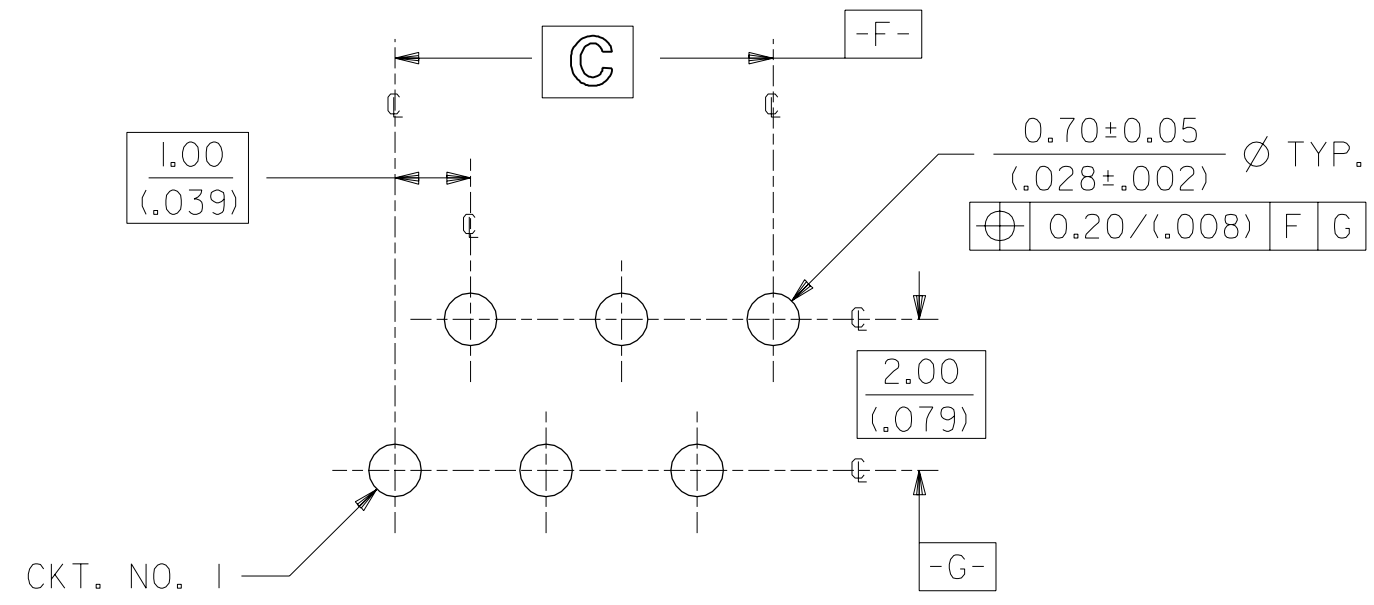


RECOMMENDED FFC DIMENSIONS
FINISHED THICKNESS = 0.30±0.05/(.012±.002)



KINK-PINS ARE LOCATED AT THE TWO ENDMOST ODD-NUMBERED CIRCUIT POSITIONS (KINK-PINS ARE NOT AVAILABLE ON 40 CIRCUIT CONNECTORS)

NOTE FOR LEAD FREE CONVERSION:
THE PRIMARY SHIPPING CARTON WILL BE LABELED "COMPLIANT TO RoHS DIRECTIVE 2002/95/EC AND ELV ANNEX II OF DIRECTIVE 2000/53/EC". CARTONS WITHOUT THIS LABEL MAY CONTAIN PRODUCT WITH LEAD.



RECOMMENDED PC BOARD LAYOUT
COMPONENT SIDE IS SHOWN

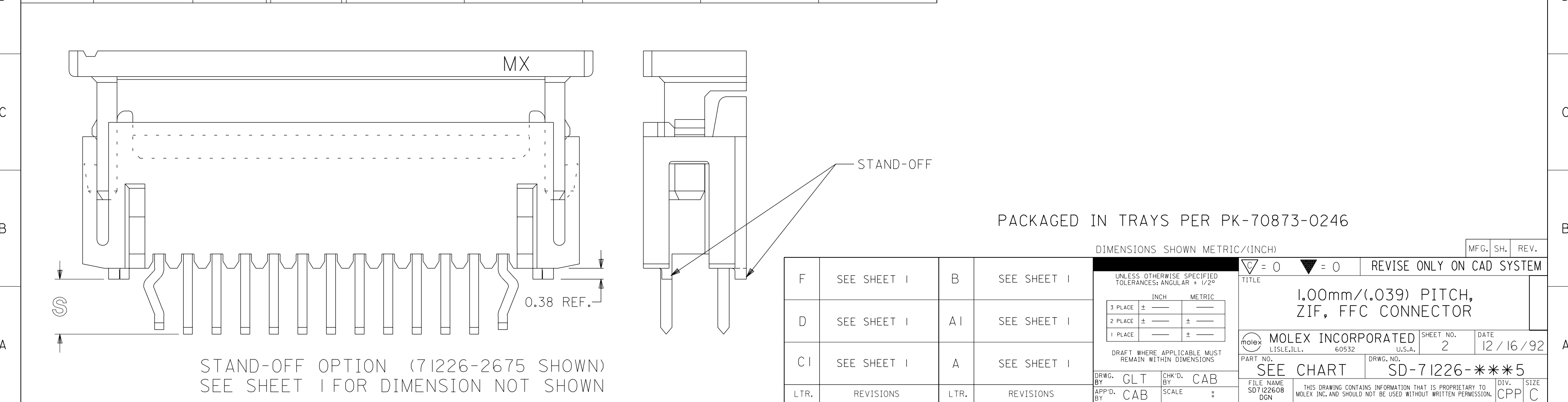
DIMENSIONS SHOWN METRIC/(INCHES)

F		DELETE TUBE PKG UCP2003-1972 RWHITE 03/03/17	C2	ADD CKT. NO. 1 ECN #UDT1999-0014 07/08/98 LMCGRATH	UNLESS OTHERWISE SPECIFIED TOLERANCES: ANGULAR ± 1/2° 3 PLACE ± .005 2 PLACE ± — ± 0.13 1 PLACE — ± — DRAFT WHERE APPLICABLE MUST REMAIN WITHIN DIMENSIONS	▽ = 0 ▼ = 0 REVISE ONLY ON CAD SYSTEM	TITLE 1.00mm/(.039) PITCH, ZIF, FFC CONNECTOR	
E		MOD HSG GEOMETRY ECN# UDT1999-1104 DMORGAN 99/07/09	C1	ADD PKG SPEC ECN #UDT1998-0299 05/26/98 LMCGRATH			MOLEX INCORPORATED SHEET NO. DATE LITSL.E,ILL. 60532 U.S.A. 1 OF 2 12/16/92	
G		LEAD FREE CONV ECN UCP2004-2092 RKADAMS 04/04/22	D	ADD P/N -2675 ECN #UDT1999-0824 DMORGAN 99/04/06	C	ADDED TOL. & BASIC BOXES PER EC # U81224 J. LONG 97/11/20	PART NO. DRWG. NO. SEE SHEET 2 SD-71226-***5	
LTR.	REVISIONS	LTR.	REVISIONS	LTR.	REVISIONS	APP'D. BY: CAB	CHK'D. BY: CAB	SCALE: 10 : 1

2	F	
1	G	
MFG.	SH.	REV.

13 12 11 10 9 8 7 6 71226 4 3 2 1

CKT SIZE	ITEM NUMBER	HOUSING COLOR	X=NOT TOOLED	DIM A	DIM B	DIM C	DIM D	DIM E	
4	71226-0425	NATURAL		9.30/ (.366)	5.20/ (.205)	3.00/ (.118)	5.00/ (.197)	↑ 2.25±0.20 (.089±.008) ↓	
6	71226-0625	NATURAL		11.30/ (.445)	7.20/ (.283)	5.00/ (.197)	7.00/ (.276)		
8	71226-0825	NATURAL		13.30/ (.524)	9.20/ (.362)	7.00/ (.276)	9.00/ (.354)		
10	71226-1025	NATURAL		15.30/ (.602)	11.20/ (.441)	9.00/ (.354)	11.00/ (.433)		
12	71226-1225	NATURAL		17.30/ (.681)	13.20/ (.520)	11.00/ (.433)	13.00/ (.512)		
14	71226-1425	NATURAL		19.30/ (.760)	15.20/ (.598)	13.00/ (.512)	15.00/ (.591)		
16	71226-1625	NATURAL		21.30/ (.839)	17.20/ (.677)	15.00/ (.591)	17.00/ (.669)		
18	71226-1825	NATURAL		23.30/ (.917)	19.20/ (.756)	17.00/ (.669)	19.00/ (.748)		
20	71226-2025	NATURAL		25.30/ (.996)	21.20/ (.835)	19.00/ (.748)	21.00/ (.827)		
22	71226-2225	NATURAL		27.30/ (1.075)	23.20/ (.913)	21.00/ (.827)	23.00/ (.906)		
24	71226-2425	NATURAL		29.30/ (1.154)	25.20/ (.992)	23.00/ (.906)	25.00/ (.984)		
26	71226-2625	NATURAL		31.30/ (1.232)	27.20/ (1.071)	25.00/ (.984)	27.00/ (1.063)		
28	71226-2825	NATURAL		33.30/ (1.311)	29.20/ (1.150)	27.00/ (1.063)	29.00/ (1.142)		
30	71226-3025	NATURAL		35.30/ (1.390)	31.20/ (1.228)	29.00/ (1.142)	31.00/ (1.220)		
40	71226-4025	NATURAL	X	45.30/ (1.783)	41.20/ (1.622)	39.00/ (1.536)	41.00/ (1.614)		
4	71226-0435	NATURAL		9.30/ (.366)	5.20/ (.205)	3.00/ (.118)	5.00/ (.197)		↑ 3.15±0.20 (.124±.008) ↓
6	71226-0635	NATURAL		11.30/ (.445)	7.20/ (.283)	5.00/ (.197)	7.00/ (.276)		
8	71226-0835	NATURAL		13.30/ (.524)	9.20/ (.362)	7.00/ (.276)	9.00/ (.354)		
10	71226-1035	NATURAL		15.30/ (.602)	11.20/ (.441)	9.00/ (.354)	11.00/ (.433)		
12	71226-1235	NATURAL		17.30/ (.681)	13.20/ (.520)	11.00/ (.433)	13.00/ (.512)		
14	71226-1435	NATURAL		19.30/ (.760)	15.20/ (.598)	13.00/ (.512)	15.00/ (.591)		
16	71226-1635	NATURAL		21.30/ (.839)	17.20/ (.677)	15.00/ (.591)	17.00/ (.669)		
18	71226-1835	NATURAL		23.30/ (.917)	19.20/ (.756)	17.00/ (.669)	19.00/ (.748)		
20	71226-2035	NATURAL		25.30/ (.996)	21.20/ (.835)	19.00/ (.748)	21.00/ (.827)		
22	71226-2235	NATURAL		27.30/ (1.075)	23.20/ (.913)	21.00/ (.827)	23.00/ (.906)		
24	71226-2435	NATURAL		29.30/ (1.154)	25.20/ (.992)	23.00/ (.906)	25.00/ (.984)		
26	71226-2635	NATURAL		31.30/ (1.232)	27.20/ (1.071)	25.00/ (.984)	27.00/ (1.063)		
28	71226-2835	NATURAL		33.30/ (1.311)	29.20/ (1.150)	27.00/ (1.063)	29.00/ (1.142)		
30	71226-3035	NATURAL		35.30/ (1.390)	31.20/ (1.228)	29.00/ (1.142)	31.00/ (1.220)		
40	71226-4035	NATURAL	X	45.30/ (1.783)	41.20/ (1.622)	39.00/ (1.536)	41.00/ (1.614)		
26	71226-2675	NATURAL		31.30/ (1.232)	27.20/ (1.071)	25.00/ (.984)	27.00/ (1.063)	2.77±0.20 (.109±.008)	



F	SEE SHEET 1	B	SEE SHEET 1
D	SEE SHEET 1	A1	SEE SHEET 1
C1	SEE SHEET 1	A	SEE SHEET 1
LTR.	REVISIONS	LTR.	REVISIONS

UNLESS OTHERWISE SPECIFIED TOLERANCES: ANGULAR ± 1/2°	▽ = 0	▼ = 0	REVISE ONLY ON CAD SYSTEM
3 PLACE ± — —	TITLE		
2 PLACE ± — —	1.00mm/ (.039) PITCH, ZIF, FFC CONNECTOR		
1 PLACE — — ± — —	MOLEX INCORPORATED		
DRAFT WHERE APPLICABLE MUST REMAIN WITHIN DIMENSIONS		SHEET NO. 2	DATE 12/16/92
DRWG. BY GLT	CHK'D. BY CAB	PART NO. SD-71226-***5	
APP'D. BY CAB	SCALE	FILE NAME SD7122608 DGN	DIV. CPP

13 12 11 10 9 8 7 6 5 4 3 2 1