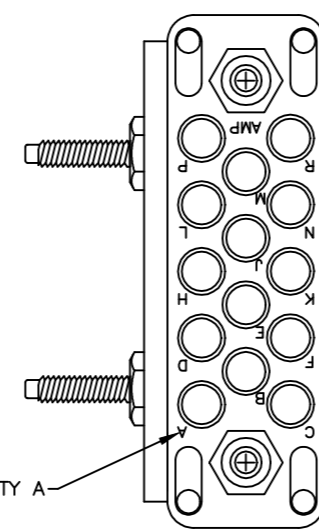
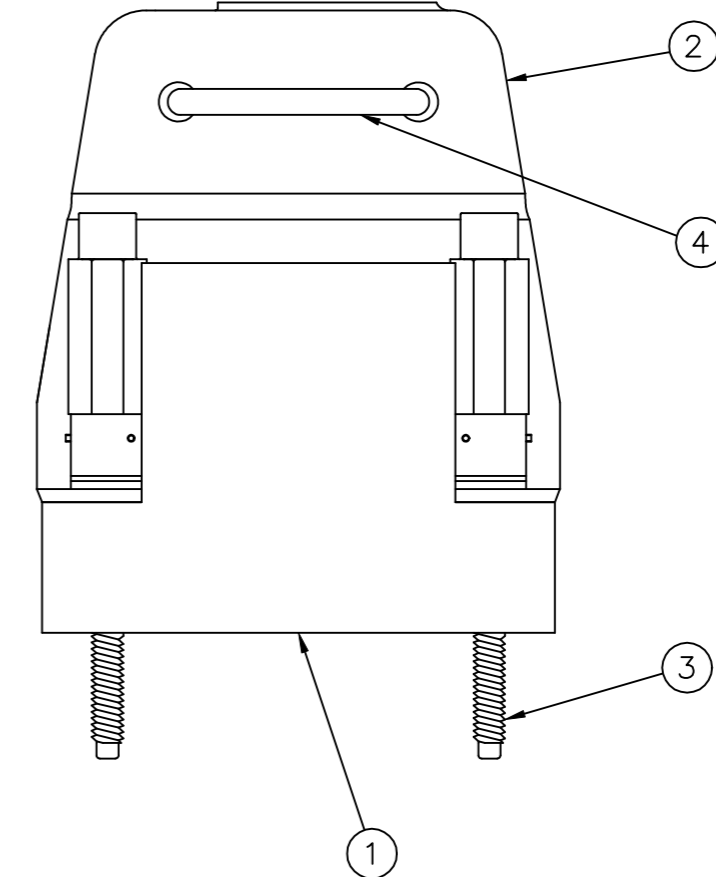
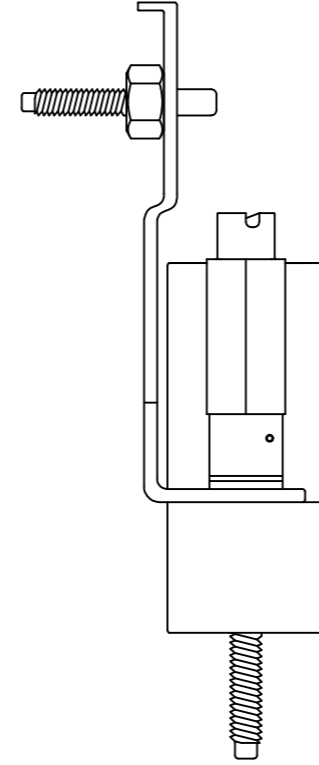
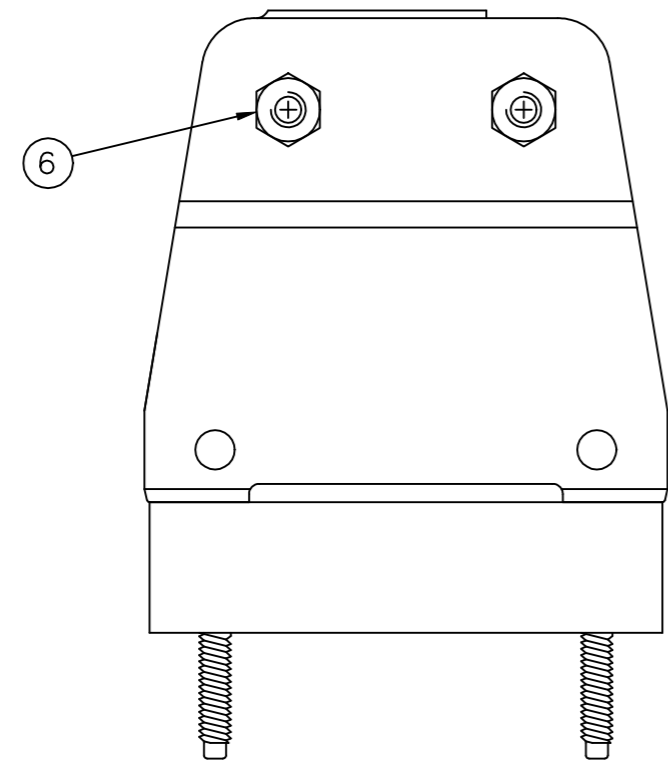


THIS DRAWING IS UNPUBLISHED. RELEASED FOR PUBLICATION
 © COPYRIGHT - TE Connectivity Ltd. ALL RIGHTS RESERVED.

| REVISIONS | | | | | |
|-----------|-----|---------------------------|-----------|-----|------|
| P | LTR | DESCRIPTION | DATE | DWN | APVD |
| C1 | | REVISED PER ECO-09-020932 | 07SEP09 | KK | AEG |
| D | | REVISED PER ECO-18-016339 | 22OCT2018 | RS | MZ |



- 1 ZINC PLATE.
- 2 OBSOLETE PARTS: OBSOLETE CIS STREAMLINING PER D.RENAUD/D.SINISI
- 3 PARTS SUPPLIED UNASSEMBLED.
- 4 PARTS SUPPLIED ASSEMBLED ACCORDING TO THE DRAWING VIEWS. PRELIMINARY PART.

| QTY | QTY | QTY | DESCRIPTION | PART NUMBER | ITEM NO. | |
|-----|-----|-----|-------------|------------------------------|-----------|---|
| 4 | 2 | 2 | | 1 NUT | 5021068-4 | 6 |
| - | - | - | | 1 NUT | 21068-4 | 5 |
| 1 | 1 | 1 | | U-BOLT | 201233-6 | 4 |
| 2 | 2 | 2 | | MALE JACKSCREW (SHORT-SHORT) | 203535-2 | 3 |
| 1 | 1 | 1 | | BRACKET | 200685-2 | 2 |
| 1 | 1 | 1 | | 14 POSN. HOUSING | 201355-1 | 1 |
| -3 | -2 | -1 | | | | |

THIS DRAWING IS A CONTROLLED DOCUMENT.

| | | | | |
|----------------|--|------------------|-----------|--------------------------------------|
| DIMENSIONS: mm | TOLERANCES UNLESS OTHERWISE SPECIFIED: | DWN: E ZANOLINI | 04SEP2001 | TE Connectivity |
| | 0 PLC ± - | CHK: H. SAID | 04SEP2001 | |
| | 1 PLC ± - | APVD: H. SAID | 04SEP2001 | |
| | 2 PLC ± - | PRODUCT SPEC | | |
| | 3 PLC ± - | APPLICATION SPEC | | NAME: 14 POS. M SERIES GROUNDING KIT |
| | 4 PLC ± - | | | SIZE: A2 |
| | ANGLES ± - | | | CAGE CODE: 00779 |
| MATERIAL: - | FINISH: - | WEIGHT: - | | DRAWING NO: C-348523 |
| | | | | RESTRICTED TO: - |
| | | | | CUSTOMER DRAWING |
| | | | | SCALE: 1:1 |
| | | | | SHEET: 1 of 1 |
| | | | | REV: D |