



FEATURES:

- Suitable for RoHS reflow profile
- High current rating and low DCR
- Special lead wire design to prevent open circuit failure
- Excellent terminal strength to mechanical stress

APPLICATIONS:

- OA equipments
- PC and notebook
- LCD TV set
- Power supply

ELECTRICAL SPECIFICATIONS:

Abracon P/N:	ASPI-0705 Series
Operating Temperature:	-40°C to +125°C
Storage Temperature:	+15°C to +28°C

PART NUMBER	Inductance (uH)	Tolerance	Testing Condition	DCR (Ω) max	IDC (A) max	Inductance Code
ASPI-0705-1R0	1.0	M	100KHz, 0.25V	0.013	3.40	1R0
ASPI-0705-1R5	1.5	M	100KHz, 0.25V	0.016	3.30	1R5
ASPI-0705-1R8	1.8	M	100KHz, 0.25V	0.020	3.20	1R8
ASPI-0705-2R2	2.2	M	100KHz, 0.25V	0.023	3.00	2R2
ASPI-0705-2R5	2.5	M	100KHz, 0.25V	0.026	2.90	2R5
ASPI-0705-2R7	2.7	M	100KHz, 0.25V	0.027	2.85	2R7
ASPI-0705-3R3	3.3	M	100KHz, 0.25V	0.028	2.80	3R3
ASPI-0705-4R7	4.7	M	100KHz, 0.25V	0.045	2.70	4R7
ASPI-0705-5R6	5.6	M	100KHz, 0.25V	0.048	2.65	5R6
ASPI-0705-6R8	6.8	M	100KHz, 0.25V	0.058	2.50	6R8
ASPI-0705-8R2	8.2	M	100KHz, 0.25V	0.070	2.40	8R2
ASPI-0705-100	10	K, M	1KHz, 0.25V	0.070	2.30	100
ASPI-0705-120	12	K, M	1KHz, 0.25V	0.080	2.00	120
ASPI-0705-150	15	K, M	1KHz, 0.25V	0.090	1.80	150
ASPI-0705-180	18	K, M	1KHz, 0.25V	0.100	1.60	180
ASPI-0705-220	22	K, M	1KHz, 0.25V	0.110	1.50	220
ASPI-0705-270	27	K, M	1KHz, 0.25V	0.120	1.30	270
ASPI-0705-330	33	K, M	1KHz, 0.25V	0.130	1.20	330
ASPI-0705-390	39	K, M	1KHz, 0.25V	0.160	1.10	390
ASPI-0705-470	47	K, M	1KHz, 0.25V	0.180	1.10	470
ASPI-0705-560	56	K, M	1KHz, 0.25V	0.240	0.94	560
ASPI-0705-680	68	K, M	1KHz, 0.25V	0.280	0.85	680
ASPI-0705-820	82	K, M	1KHz, 0.25V	0.370	0.78	820
ASPI-0705-101	100	K, M	1KHz, 0.25V	0.430	0.72	101
ASPI-0705-121	120	K, M	1KHz, 0.25V	0.470	0.66	121
ASPI-0705-151	150	K, M	1KHz, 0.25V	0.640	0.58	151
ASPI-0705-181	180	K, M	1KHz, 0.25V	0.710	0.51	181
ASPI-0705-221	220	K, M	1KHz, 0.25V	0.960	0.49	221
ASPI-0705-271	270	K, M	1KHz, 0.25V	1.110	0.42	271
ASPI-0705-331	330	K, M	1KHz, 0.25V	1.260	0.40	331
ASPI-0705-391	390	K, M	1KHz, 0.25V	1.770	0.36	391
ASPI-0705-471	470	K, M	1KHz, 0.25V	1.960	0.34	471
ASPI-0705-561	560	K, M	1KHz, 0.25V	2.280	0.32	561
ASPI-0705-681	680	K, M	1KHz, 0.25V	2.480	0.30	681
ASPI-0705-821	820	K, M	1KHz, 0.25V	3.400	0.30	821
ASPI-0705-102	1000	K, M	1KHz, 0.25V	4.500	0.30	102
ASPI-0705-122	1200	K, M	1KHz, 0.25V	5.000	0.17	122
ASPI-0705-152	1500	K, M	1KHz, 0.25V	5.520	0.16	152

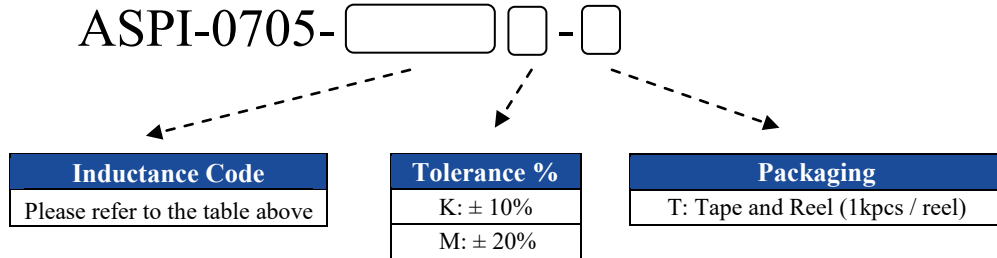
Test Conditions

Inductance: 2.52MHz for 10μH ~ 82μH; 1kHz for 100μH ~ 470μH

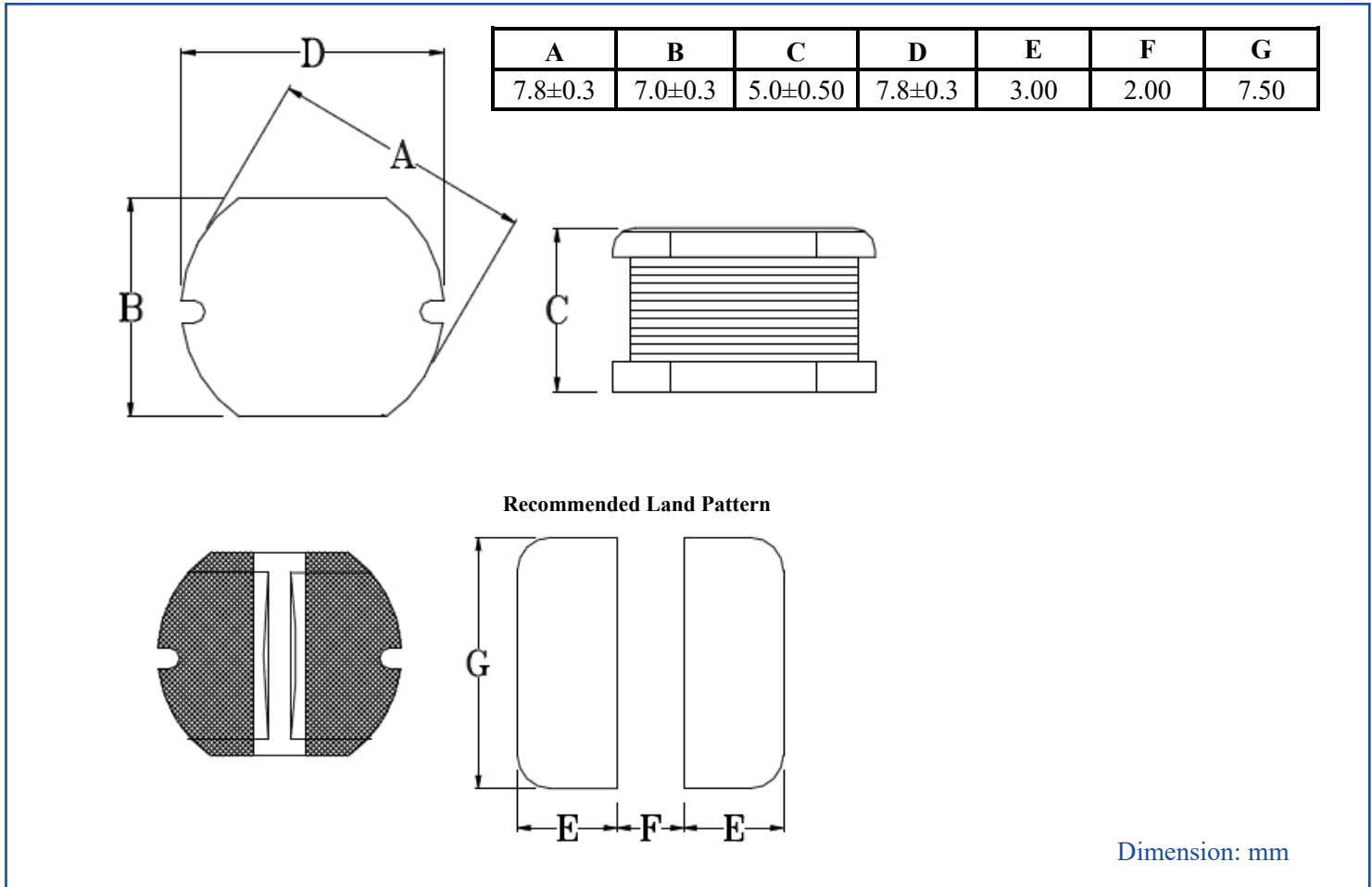
IDC max: ΔL/L (initial) ≥ -10% or ΔT=40°C (Ta=25°C), whichever is lower.



➤ PART NUMBER IDENTIFICATION:

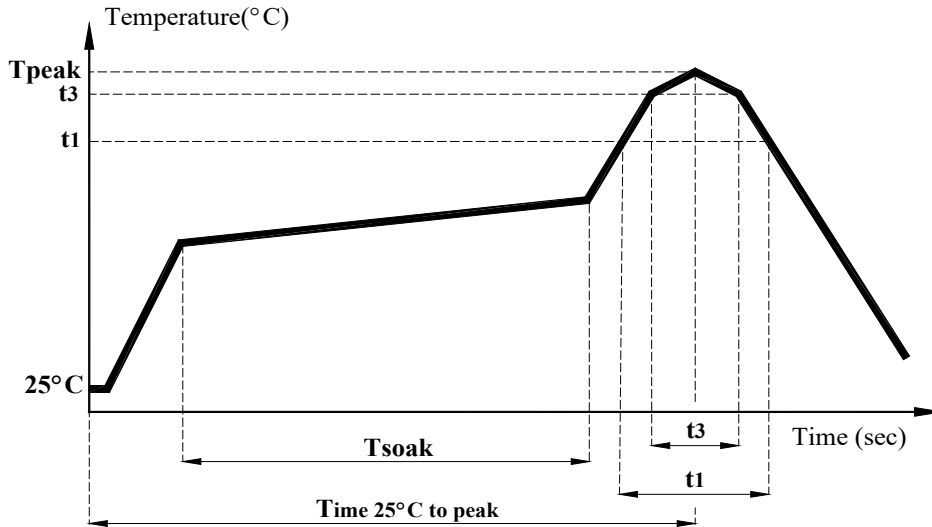


➤ OUTLINE DRAWING:





➤ REFLOW PROFILE:

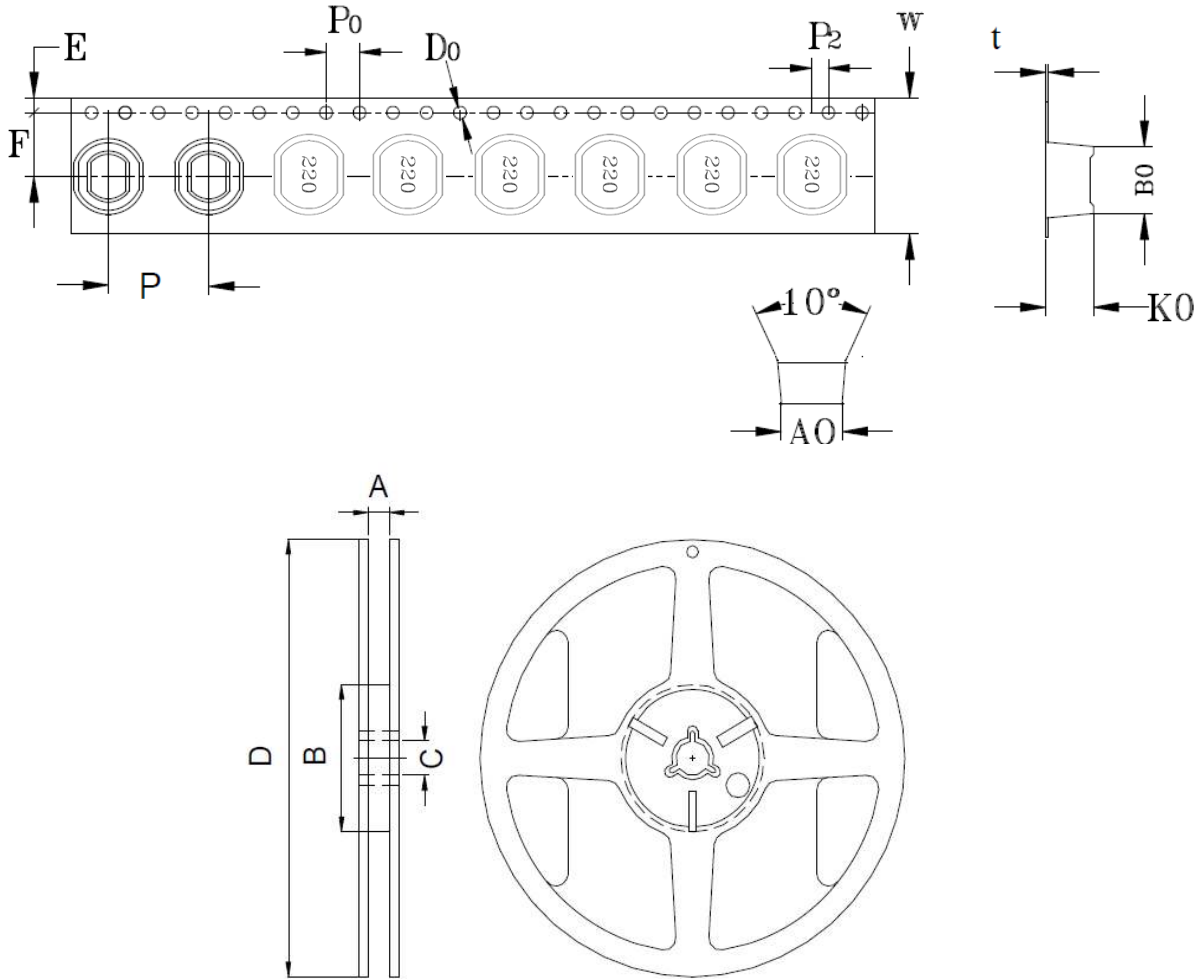


Item	mark	
Temperature rise gradient		3°C/sec (max)
Heating time	Tsoak	50s ~ 150s
Heating temperature		120°C~180°C
Time over 217°C	t1	70 sec
Time within 5°C of actual peak temperature	t3	10~30 sec
Peak temperature	Tpeak	250 (+0 / -5 °C)
Time 25°C to peak Temperature		6 minutes max.



TAPE & REEL:

T: 1,000pcs / reel



CARRIER TAPE / SIZE (mm)										REEL 13"×24mm			
A0	B0	K0	F	E	W	P	Po	P2	t	A	B	C	D
7.2 ± 0.1	8.1 ± 0.1	5.35 ± 0.1	7.5 ± 0.1	1.75 ± 0.1	16 ± 0.3	12 ± 0.1	4 ± 0.1	2 ± 0.1	0.4± 0.05	16.5 ± 0.2	100 ± 0.5	13.2 ± 0.3	330 ± 1.0

Dimension: mm

ATTENTION: Abracon LLC's products are COTS – Commercial-Off-The-Shelf products; suitable for Commercial, Industrial and, where designated, Automotive Applications. Abracon's products are not specifically designed for Military, Aviation, Aerospace, Life-dependent Medical applications or any application requiring high reliability where component failure could result in loss of life and/or property. For applications requiring high reliability and/or presenting an extreme operating environment, written consent and authorization from Abracon LLC is required. Please contact Abracon LLC for more information.