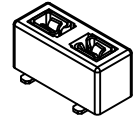
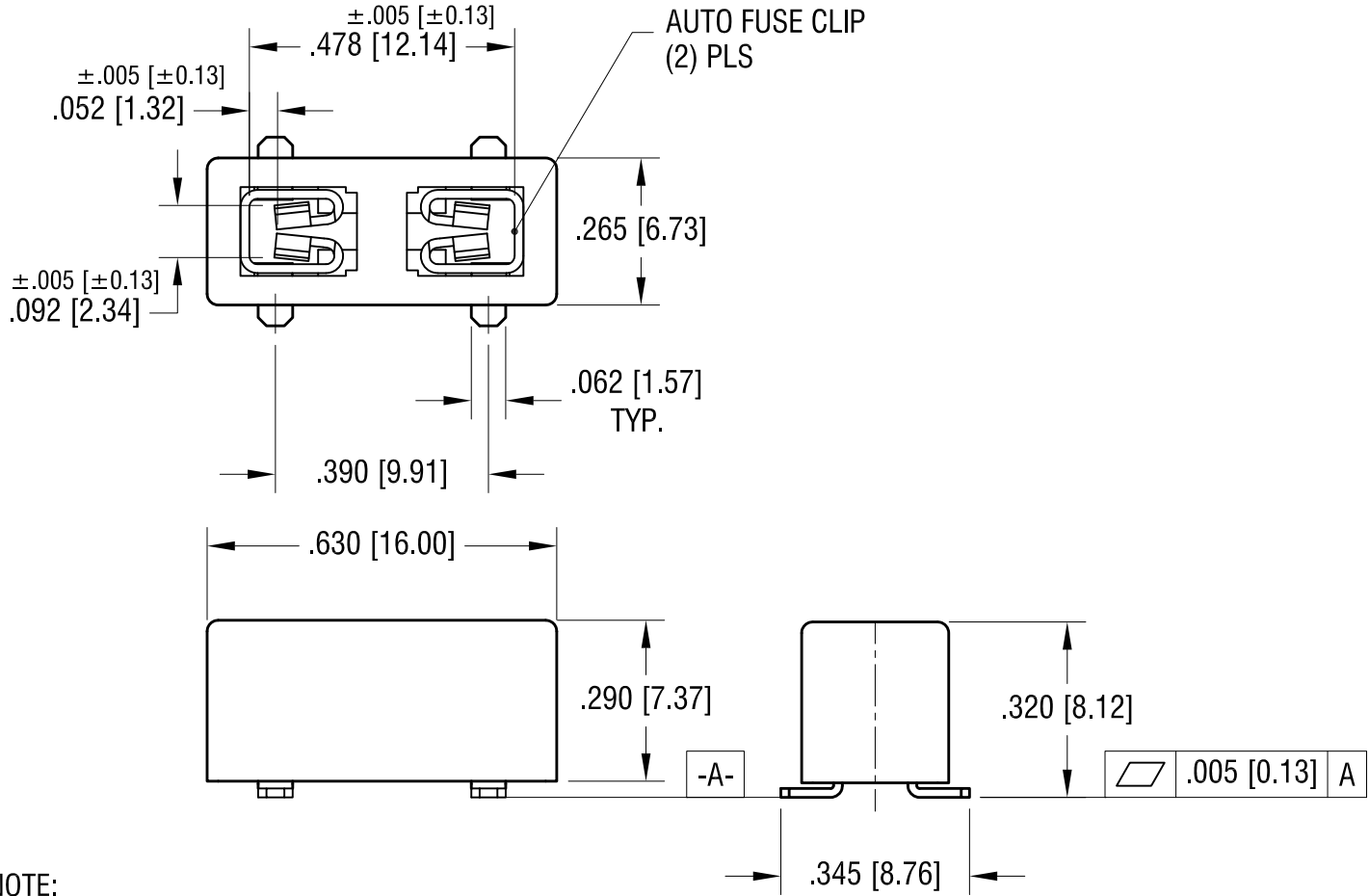
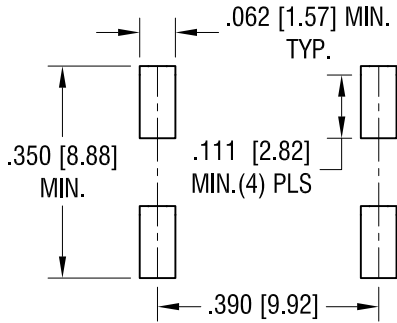


THIS DOCUMENT IS THE PROPERTY OF
KEYSTONE ELECTRONICS CORP. AND
SHALL NOT BE REPRODUCED, DISTRIBUTED
OR USED AS A BASIS FOR MANUFACTURE
WITHOUT PRIOR WRITTEN PERMISSION
FROM KEYSTONE ELECTRONICS CORP.

ACTUAL SIZE



MOUNTING DETAIL



NOTE:

1. BASE: MAT'L- HEAT RESISTANCE NYLON STANYL 46 OR EQUIVALENT
COLOR- BLUE
2. CLIP: MAT'L: .016 [0.40] TH'K BRASS,
FINISH- MATTE TIN PLATE

KEYSTONE ELECTRONICS CORP.

www.keyelco.com • ASTORIA, N.Y. 11105-2017 • Tel (718) 956-8900

PART NAME				SM MINI AUTO-FUSE HOLDER	
MATERIAL				AS NOTED	
FINISH		DRN BY	NT	DATE	6.14.16
AS NOTED		APP'D	LN	SCALE	3X
TOLERANCES	INCH	[MM]	CODE	DWG NO.	
DECIMAL	± .010	[± 0.25]	C	3588-15	
ANGULAR ± 1°			UNLESS OTHERWISE SPECIFIED		

DATE	DESCRIPTION	REV.
------	-------------	------