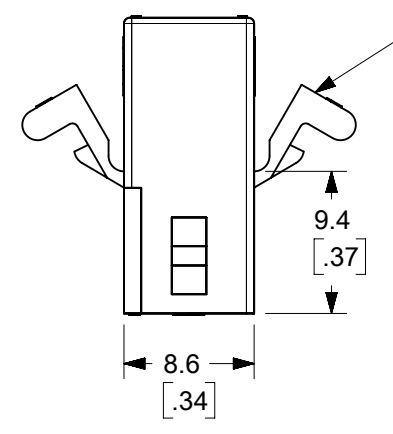
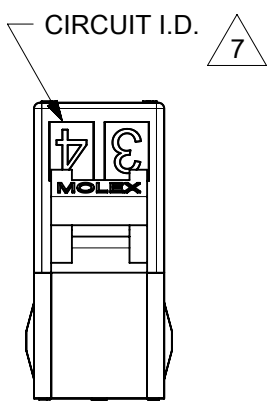
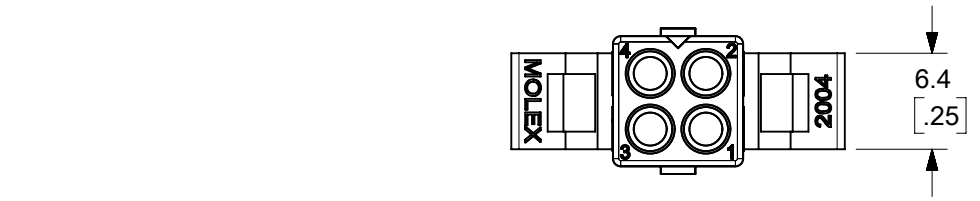
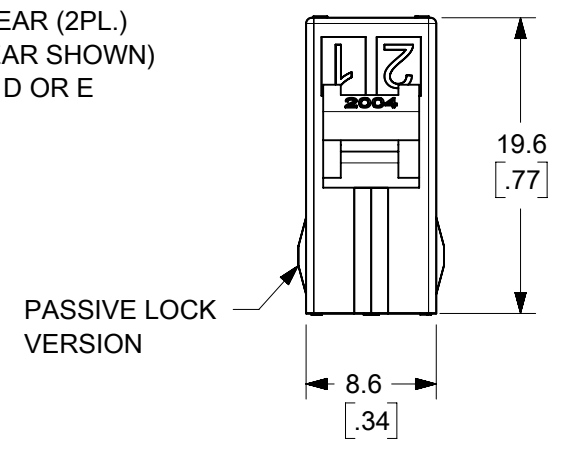


PLUG HOUSING

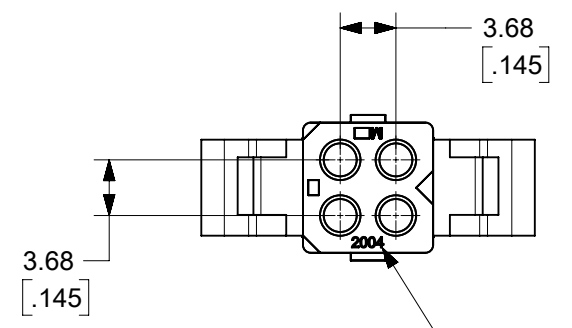
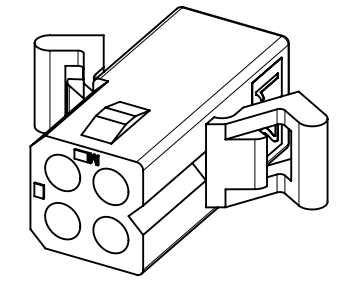
THIS DRAWING CONTAINS INFORMATION THAT IS PROPRIETARY TO MOLEX ELECTRONIC TECHNOLOGIES, LLC AND SHOULD NOT BE USED WITHOUT WRITTEN PERMISSION												
QUALITY SYMBOLS ∇A = 0 ∇B = 0 ∇C = 0 ∇D = 0 ∇E = 0 ∇F = 0 ∇G = 0 ∇H = 0 ∇I = 0 ∇J = 0 ∇K = 0 ∇L = 0 ∇M = 0 ∇N = 0 ∇O = 0 ∇P = 0 ∇Q = 0 ∇R = 0 ∇S = 0 ∇T = 0 ∇U = 0 ∇V = 0 ∇W = 0 ∇X = 0 ∇Y = 0 ∇Z = 0	CORRECT NOTE 5		EC NO: 109320 DRWN: MKIPPER CHK'D: MKIPPER APPR: FSMITH		2016/09/22 2016/10/17 2016/10/25		GENERAL TOLERANCES (UNLESS SPECIFIED) DIMENSION UNITS: MM/IN SCALE: 2:1		DRWN BY: BAPPELDORN DATE: 2016/09/22			
	4 PLACES \pm		MM INCH		DATE		DATE		PLUG AND RECEPTACLE HOUSINGS 4 CIRCUIT .062 DIA., .145 CTRS.			
	3 PLACES \pm		± 0.01		DATE		DATE					
	2 PLACES \pm		± 0.25 ± 0.014		DATE		DATE		PRODUCT CUSTOMER DRAWING SERIES: 2004 MATERIAL NUMBER: SEE CHART CUSTOMER: GENERAL MARKET			
	1 PLACES \pm		± 0.36 ±		DATE		DATE					
0 PLACES \pm		±		DATE		DATE		DOCUMENT NUMBER: 20040000-SD DOC TYPE: PSD DOC PART: 000 SHEET NUMBER: 1 OF 3				
ANGULAR TOL \pm 1.0		DRAWING SIZE: B		THIRD ANGLE PROJECTION		THIRD ANGLE PROJECTION						
DRAFT WHERE APPLICABLE MUST REMAIN WITHIN DIMENSIONS												



MOUNTING EAR (2PL.)
(PREBENT EAR SHOWN)
SEE DETAIL D OR E



PASSIVE LOCK
VERSION



ENG. NO. LOCATION
FOR PARTS W/O MOUNTING EARS

RECEPTACLE HOUSING

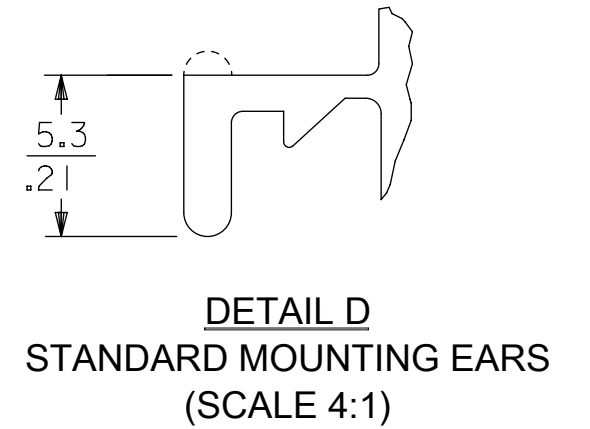
THIS DRAWING CONTAINS INFORMATION THAT IS PROPRIETARY TO MOLEX ELECTRONIC TECHNOLOGIES, LLC AND SHOULD NOT BE USED WITHOUT WRITTEN PERMISSION											
QUALITY SYMBOLS ▽ = 0 ▽ = 0 ▽ = 0 ▽ = 0 ▽ = 0 ▽ = 0 ▽ = 0 ▽ = 0 ▽ = 0 ▽ = 0	CORRECT NOTE 5 EC NO: 109320 DRWN: MKIPPER CHK'D: MKIPPER APPR: FSMITH	GENERAL TOLERANCES (UNLESS SPECIFIED)		DIMENSION UNITS	SCALE						
				MM/IN	2:1						
				MM	INCH	DRWN BY	DATE	PLUG AND RECEPTACLE HOUSINGS 4 CIRCUIT .062 DIA., .145 CTRS.			
		4 PLACES	±	±	BAPPELDORN	2016/09/22					
		3 PLACES	±	± 0.01	CHK'D BY	DATE					
		2 PLACES	± 0.25	± 0.014	MKIPPER	2016/09/22					
		1 PLACES	± 0.36	±	APPR BY	DATE					
		0 PLACES	±	±	FSMITH	2016/09/29	PRODUCT CUSTOMER DRAWING				
		ANGULAR TOL ± 1.0		DRAWING SIZE	THIRD ANGLE PROJECTION	SERIES	MATERIAL NUMBER	CUSTOMER			
		DRAFT WHERE APPLICABLE MUST REMAIN WITHIN DIMENSIONS		B		2004	SEE CHART	GENERAL MARKET			
				DOCUMENT NUMBER		DOC TYPE	DOC PART	SHEET NUMBER			
				20040000-SD		PSD	000	2 OF 3			

PLUG	
PART NO.	ENG. NO.
03-06-2043	2004-P
03-06-7043	2004-PBK
03-06-2044	2004-P1
03-06-7044	2004-P1BK
46999-0719	2004-P2

RECEPTACLE	
PART NO.	ENG. NO.
03-06-1043	2004-R
03-06-6043	2004-RBK
03-06-1044	2004-R1
46999-0807	2004-R2

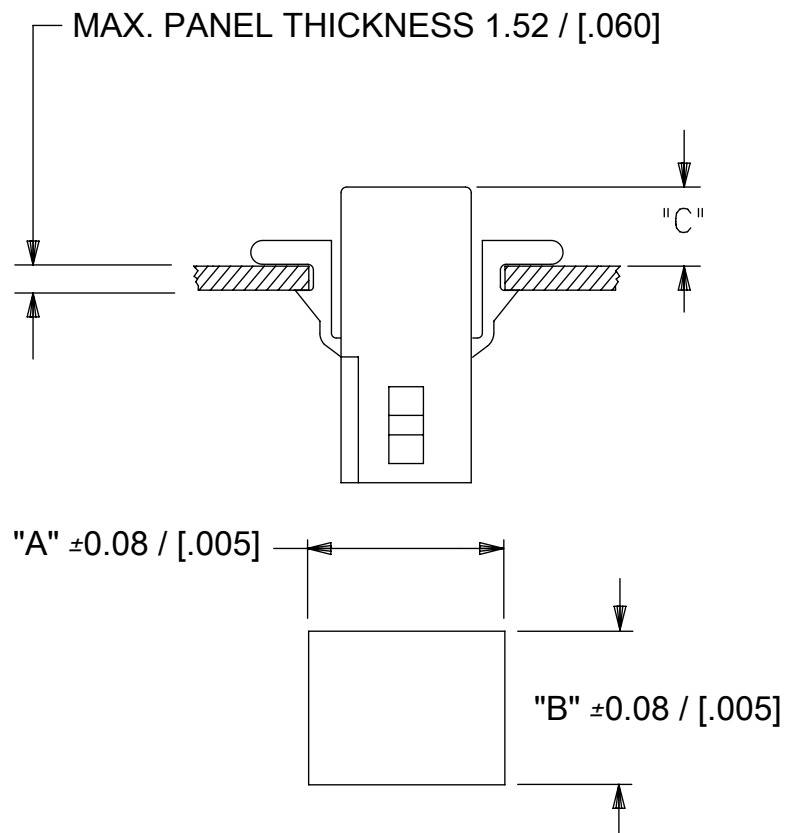
LEGEND:

2004-***
 P = PLUG
 R = RECEPTACLE



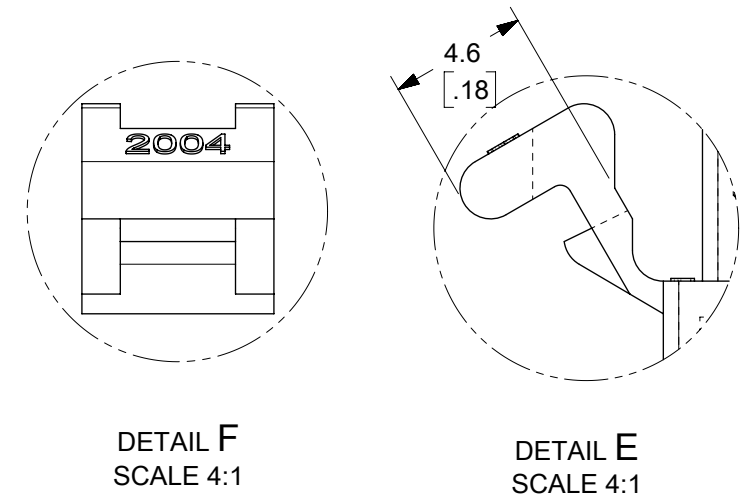
BLANK = WITH STANDARD EARS
 1 = WITHOUT EARS
 2 = WITH PREBENT EARS

COLOR:
 BLANK = NATURAL
 AM=AMBER BK=BLACK BU=BLUE
 BN=BROWN GY=GRAY GN=GREEN
 OR=ORANGE RD=RED YW=YELLOW



NOTES:

1. MATERIAL: NYLON 6/6 UL94V-2, COLOR: SEE LEGEND
2. FINISH: NONE
3. PRODUCT SPECIFICATION: PS-02-06
4. PACKAGING SPECIFICATION: 20040000-PK
5. THIS DIMENSION DEPENDS ON TOOLING AND MAY BE 0.75/(19.1) ON SOME PARTS.
6. HOUSINGS FOR USE WITH MOLEX .062/(1.57) DIA. TERMINALS.
7. CIRCUIT I.D. NUMBERS ON SIDE OF HOUSING DEPENDS ON TOOLING AND MAY OR MAY NOT BE PRESENT.
8. PARTS CONFORM TO CLASS B REQUIREMENTS OF COSMETIC SPECIFICATION PS-45499-002.
9. DRAWING REPLACES SD-2004-*



PRE-BENT MOUNTING EARS
(SCALE 4:1)

RECOMMENDED HOLE PATTERN

HOUSING	DIM. "A"		DIM. "B"		PREBENT EAR DIM. "C"		STD. EAR DIM. "C"	
	MM	IN	MM	IN	MM	IN	MM	IN
PLUG	15.62	.615	11.81	.465	6.6	.26	6.6	.26
RECEPTACLE	12.85	.506	10.16	.400	6.1	.24	6.1	.24

QUALITY SYMBOLS	THIS DRAWING CONTAINS INFORMATION THAT IS PROPRIETARY TO MOLEX ELECTRONIC TECHNOLOGIES, LLC AND SHOULD NOT BE USED WITHOUT WRITTEN PERMISSION											
	△ = 0 ▽ = 0 ▽ = 0 ▽ = 0 ▽ = 0 ▽ = 0 ▽ = 0 ▽ = 0 ▽ = 0 ▽ = 0 ▽ = 0	EC NO: 109320 DRWN: MKIPPER CHK'D: MKIPPER APPR: FSMITH	2016/09/22 2016/10/17 2016/10/25	CORRECT NOTE 5	GENERAL TOLERANCES (UNLESS SPECIFIED) MM INCH 4 PLACES ± ± 3 PLACES ± ± 0.01 2 PLACES ± 0.25 ± 0.014 1 PLACES ± 0.36 ± 0 PLACES ± ± ANGULAR TOL ± 1.0 DRAFT WHERE APPLICABLE MUST REMAIN WITHIN DIMENSIONS	DIMENSION UNITS MM/IN DRWN BY BAPPELDORN CHK'D BY MKIPPER APPR BY FSMITH DRAWING SIZE B	SCALE 1:1 DATE 2016/09/22 DATE 2016/09/22 DATE 2016/09/29 THIRD ANGLE PROJECTION				PLUG AND RECEPTACLE HOUSINGS 4 CIRCUIT .062 DIA., .145 CTRS.	
PRODUCT CUSTOMER DRAWING							SERIES 2004	MATERIAL NUMBER SEE CHART	CUSTOMER GENERAL MARKET			
DOCUMENT NUMBER 20040000-SD							DOC TYPE PSD	DOC PART 000	SHEET NUMBER 3 OF 3			