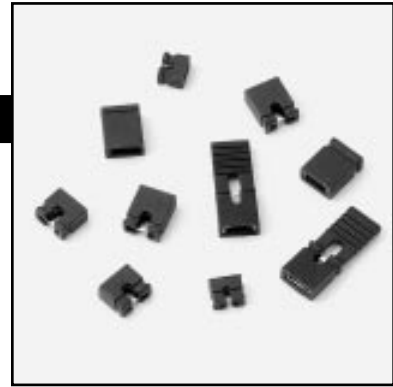


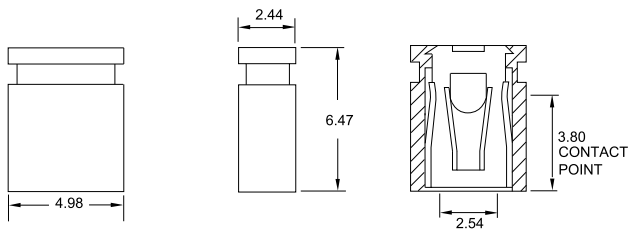
# Series: EDJ

## Shunts

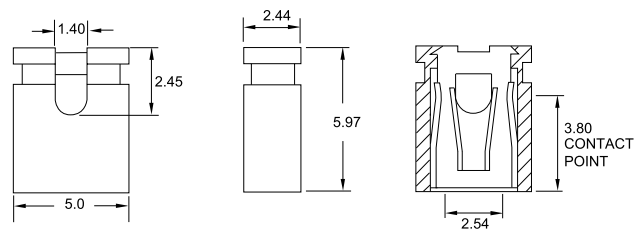
- ❖ Dual wipe contacts
- ❖ Side and end stackable
- ❖ Mates to 2.54 mm pin headers
- ❖ Mates to 2.00 mm pin headers



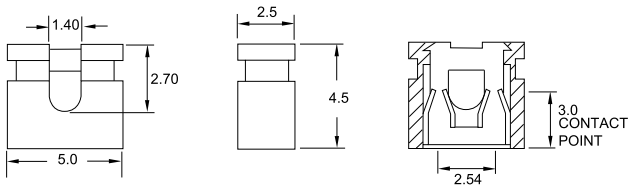
EDJ1 (CLOSED INSULATOR)



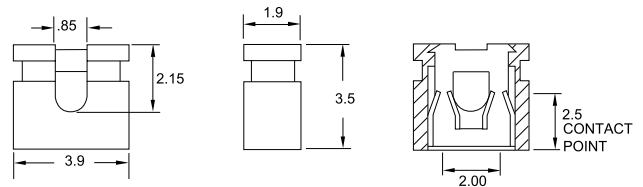
EDJ2 (OPEN INSULATOR)



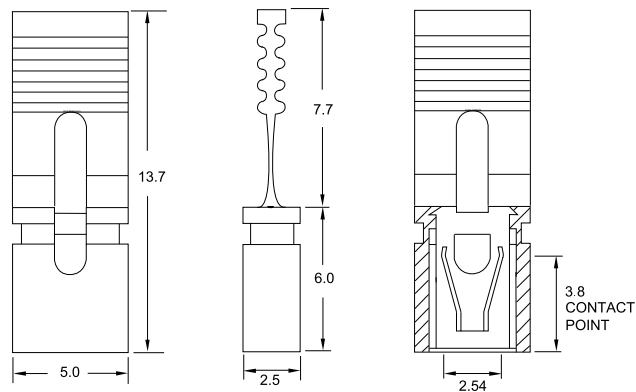
EDJ3 (SHORT INSULATOR)



EDJ5 (2.0 mm)



EDJ4 (WITH HANDLE)



# Specifications

## Shunts

### EDJ

#### Ratings:

Current	3A
Dielectric strength	AC 650 V RMS for 1 minute
Contact resistance	20 mΩ max.
Insulator resistance	100 MΩ min.

#### Material:

Plastic	PBT, Glass-filled, UL 94V-0
Contact	Phosphor Bronze
Temperature range	-55°C / +105°C

### ORDERING PROCEDURE

1                      2                      3

1) Series

2) Plating:

Z = Tin  
G = Gold

3) Color:

0 = Black  
1 = Red  
2 = White  
3 = Blue