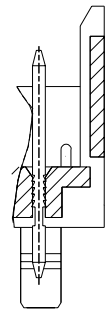
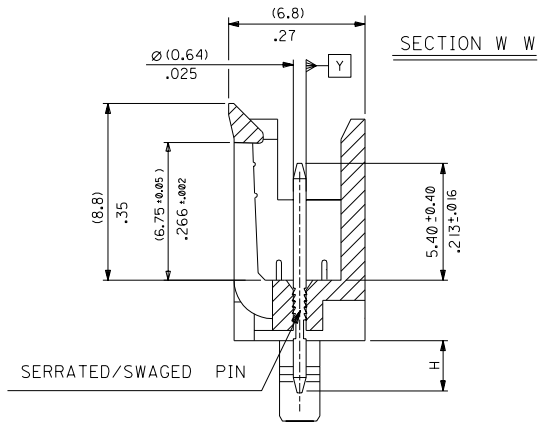
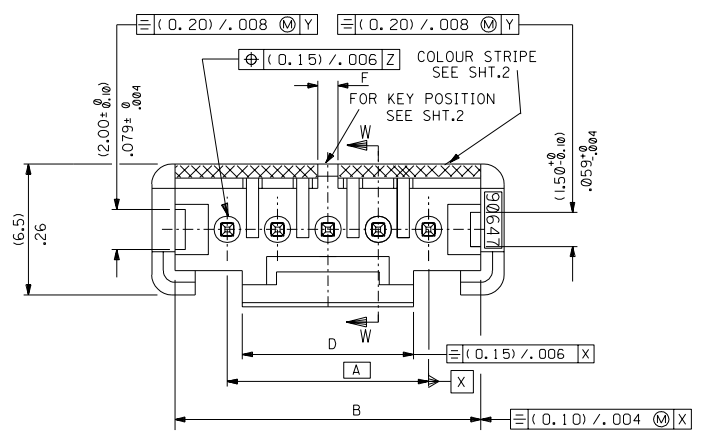
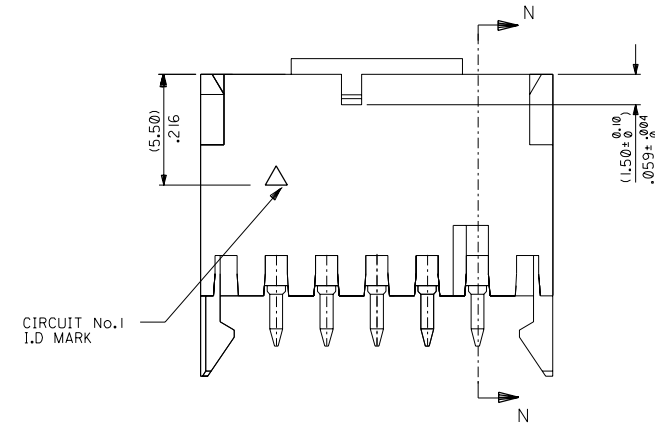
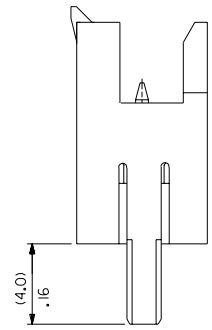
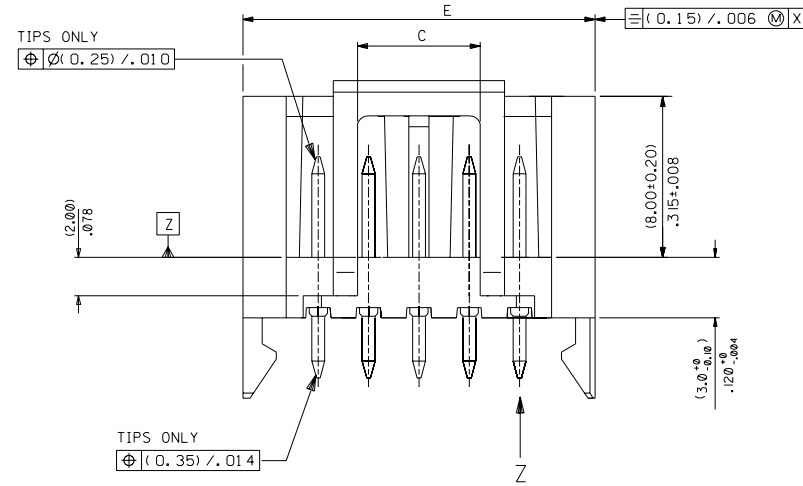


PART NO. SEE CHART  
 DWG. NO. SDA-90647



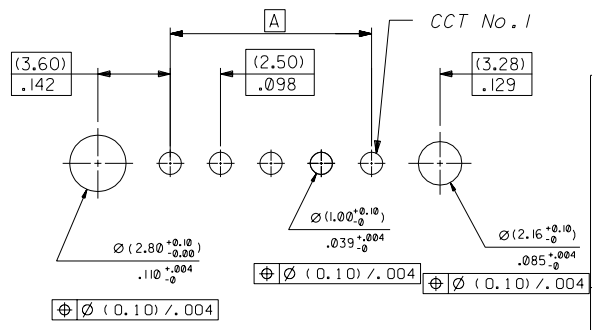
SECTION N-N  
 SKIP FEATURE AND KEYING  
 IN SAME CIRCUIT.  
 2,3 & 4 CKT. ONLY.



NOTES :

- MATERIAL;  
 HOUSING: POLYESTER, UL 94V-0, G.E VALOX 310-SE0.  
 PINS: BRASS,  
 PLATING: (3um)/.118uin MIN. TIN  
 TO 95/5 OVER (2um)/.078uin MIN. COPPER OR NICKEL.
- FOR ALL UNSTATED DIMENSIONS, COLOUR I.D AND  
 KEYING POSITIONS SEE SHEET 2.

RECOMMENDED P.C.B. HOLE LAYOUT  
 PCB LAYOUT : COMPONENT SIDE  
 PCB THICKNESS 1.50 TO 1.60.



MODIFIED DIMS  
 EC NO. E2004-1124  
 DRAWN BY: RYANES 280504  
 CHK: BMAGUIRE 0406/10  
 APPR: BMAGUIRE 0406/10

REV	DESCRIPTION
L	

QUALITY SYMBOLS	GENERAL TOLERANCES: (UNLESS SPECIFIED)
MAJOR =	mm INCH
CRITICAL =	4 PLACES ±0. ±.
	3 PLACES ±0. ±.006
	2 PLACES ±0.15 ±.008
	1 PLACE ±0.25 ±.
	ANGULAR: #/2 °
DRAFT WHERE APPLICABLE MUST REMAIN WITHIN DIMENSIONS	

SCALE 4:1	DESIGN UNITS mm INCH	THIRD ANGLE PROJECTION	DIMENSIONS: mm INCH mm ONLY	SHT 4	REV L
DRAWN BY & DATE POB 13/10/90	CHECKED BY & DATE BM 13/10/90	APPROVED BY & DATE MW 13/10/90	CAD FILENAME S90647X1.DGN	MATERIAL NO. SEE CHART	DRAWING NO. SDA-90647
TITLE: 2.5mm Uf Hdr W+B Vt Ltc (2-5Ckt only)			MOLEX INCORPORATED		
THIS DRAWING CONTAINS INFORMATION THAT IS PROPRIETARY TO MOLEX INCORPORATED AND SHOULD NOT BE USED WITHOUT WRITTEN PERMISSION.				SHEET NO. 10F 4	
					SIZE B

4	L
3	L
2	L
1	L