

## LMH6714/ LMH6720/ LMH6722/ LMH6722Q Wideband Video Op Amp; Single, Single with Shutdown and Quad

Check for Samples: [LMH6714](#), [LMH6720](#), [LMH6722](#), [LMH6722-Q1](#)

### FEATURES

- 400MHz ( $A_V = +2V/V$ ,  $V_{OUT} = 500mV_{PP}$ ) -3dB BW
- 250MHz ( $A_V = +2V/V$ ,  $V_{OUT} = 2V_{PP}$ ) -3dB BW
- 0.1dB Gain Flatness to 120MHz
- Low Power: 5.6mA
- TTL Compatible Shutdown Pin (LMH6720)
- Very Low Diff. Gain, Phase: 0.01%, 0.01° (LMH6714)
- -58 HD2/ -70 HD3 at 20MHz
- Fast Slew Rate: 1800V/ $\mu$ s
- Low Shutdown Current: 500uA (LMH6720)
- 11ns Turn on Time (LMH6720)
- 7ns Shutdown Time (LMH6720)
- Unity Gain Stable
- Improved Replacement for CLC400,401,402,404,406 and 446 (LMH6714)
- Improved Replacement for CLC405 (LMH6720)
- Improved Replacement for CLC415 (LMH6722)
- LMH6722QSD is AEC-Q100 Grade 1 Qualified and is Manufactured on an Automotive Grade Flow

### APPLICATIONS

- HDTV, NTSC & PAL Video Systems
- Video Switching and Distribution
- Wideband Active Filters
- Cable Drivers
- High Speed Multiplexer (LMH6720)
- Programmable Gain Amplifier (LMH6720)
- Automotive (LMH6722Q)

### DESCRIPTION

The LMH6714/LMH6720/LMH6722 series combine Texas Instruments' VIP10 high speed complementary bipolar process with Texas Instruments' current feedback topology to produce a very high speed op amp. These amplifiers provide a 400MHz small signal bandwidth at a gain of +2V/V and a 1800V/ $\mu$ s slew rate while consuming only 5.6mA from  $\pm 5V$  supplies.

The LMH6714/LMH6720/LMH6722 series offer exceptional video performance with its 0.01% and 0.01° differential gain and phase errors for NTSC and PAL video signals while driving a back terminated 75 $\Omega$  load. They also offer a flat gain response of 0.1dB to 120MHz. Additionally, they can deliver 70mA continuous output current. This level of performance makes them an ideal op amp for broadcast quality video systems.

The LMH6714/LMH6720/LMH6722's small packages (SOIC, SOT-23 and WSON), low power requirement, low noise and distortion allow the LMH6714/LMH6720/LMH6722 to serve portable RF applications. The high impedance state during shutdown makes the LMH6720 suitable for use in multiplexing multiple high speed signals onto a shared transmission line. The LMH6720 is also ideal for portable applications where current draw can be reduced with the shutdown function.



Please be aware that an important notice concerning availability, standard warranty, and use in critical applications of Texas Instruments semiconductor products and disclaimers thereto appears at the end of this data sheet.

All trademarks are the property of their respective owners.

## Typical Performance

Non-Inverting Small Signal Frequency Response

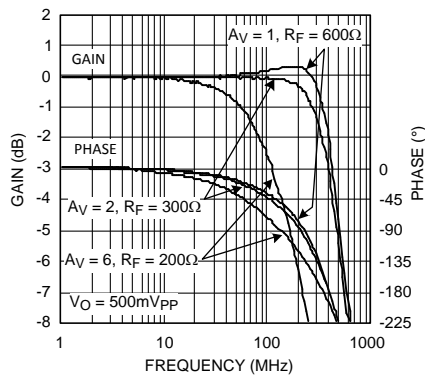


Figure 1.

Differential Gain and Phase vs. Number of Video Loads (LMH6714)

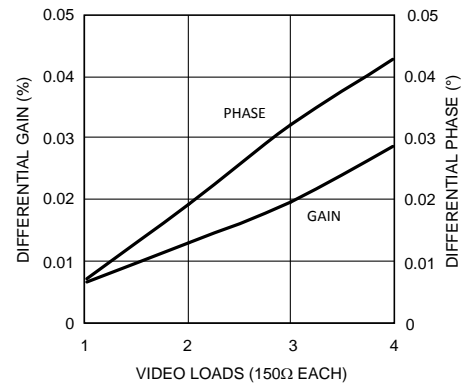


Figure 2.



These devices have limited built-in ESD protection. The leads should be shorted together or the device placed in conductive foam during storage or handling to prevent electrostatic damage to the MOS gates.

## Absolute Maximum Ratings<sup>(1)(2)</sup>

|                                     |                  |                             |
|-------------------------------------|------------------|-----------------------------|
| ESD Tolerance <sup>(3)</sup>        | Human Body Model | 2000V                       |
|                                     | Machine Model    | 200V                        |
| $V_{CC}$                            |                  | $\pm 6.75V$                 |
| $I_{OUT}$                           |                  | See <sup>(4)</sup>          |
| Common Mode Input Voltage           |                  | $\pm V_{CC}$                |
| Differential Input Voltage          |                  | 2.2V                        |
| Maximum Junction Temperature        |                  | +150°C                      |
| Storage Temperature Range           |                  | -65°C to +150°C             |
| Lead Temperature (soldering 10 sec) |                  | +300°C                      |
| Storage Temperature Range           |                  | -65°C to +150°C             |
| Shutdown Pin Voltage <sup>(5)</sup> |                  | + $V_{CC}$ to $V_{CC}/2-1V$ |

- (1) Absolute Maximum Ratings indicate limits beyond which damage to the device may occur. Operating Ratings indicate conditions for which the device is intended to be functional, but specific performance is not ensured. For specific specifications, see the Electrical Characteristics tables.
- (2) If Military/Aerospace specified devices are required, please contact the Texas Instruments Sales Office/Distributors for availability and specifications.
- (3) Human Body Model, applicable std. MIL-STD-883, Method 3015.7. Machine Model, applicable std. JESD22-A115-A (ESD MM std. of JEDEC). Field-Induced Charge-Device Model, applicable std. JESD22-C101-C (ESD FICDM std. of JEDEC).
- (4) The maximum output current ( $I_{OUT}$ ) is determined by device power dissipation limitations. See the [POWER DISSIPATION](#) section for more details.
- (5) The shutdown pin is designed to work between 0 and  $V_{CC}$  with split supplies ( $V_{CC} = -V_{EE}$ ). With single supplies ( $V_{EE} = \text{ground}$ ) the shutdown pin should not be taken below  $V_{CC}/2$ .

## Operating Ratings<sup>(1)</sup>

|                            |            |  |
|----------------------------|------------|--|
| Thermal Resistance Package |            | ( $\theta_{JA}$ )                        |
| 5-Pin SOT-23 (DBV)         |            | 232°C/W                                  |
| 6-Pin SOT-23 (DBV)         |            | 198°C/W                                  |
| 8-Pin SOIC (D)             |            | 145°C/W                                  |
| 14-Pin SOIC (D)            |            | 130°C/W                                  |
| 14-Pin TSSOP (PW)          |            | 160°C/W                                  |
| 14-Pin WSON (NHK)          |            | 46°C/W                                   |
| Operating Temperature      | LMH6722Q   | -40°C to 125°C                           |
|                            | All others | -40°C to 85°C                            |
| Supply Voltage Range       |            | 8V ( $\pm 4V$ ) to 12.5V ( $\pm 6.25V$ ) |

(1) Absolute Maximum Ratings indicate limits beyond which damage to the device may occur. Operating Ratings indicate conditions for which the device is intended to be functional, but specific performance is not ensured. For specific specifications, see the Electrical Characteristics tables.

## Electrical Characteristics

Unless specified,  $A_V = +2$ ,  $R_F = 300\Omega$ :  $V_{CC} = \pm 5V$ ,  $R_L = 100\Omega$ , LMH6714/LMH6720/LMH6722. **Boldface** limits apply at temperature extremes.

| Symbol                               | Parameter                                  | Conditions                            | Min <sup>(1)</sup> | Typ <sup>(2)</sup> | Max <sup>(1)</sup> | Units           |
|--------------------------------------|--|---------------------------------------|--------------------|--------------------|--------------------|-----------------|
| <b>Frequency Domain Response</b>     |  |                                       |                    |                    |                    |                 |
| SSBW                                 | -3dB Bandwidth                             | $V_{OUT} = 0.5V_{PP}$                 | 345                | 400                |                    | MHz             |
| LSBW                                 | -3dB Bandwidth                             | $V_{OUT} = 2.0V_{PP}$                 | 200                | 250                |                    | MHz             |
| LSBW                                 | -3dB Bandwidth, LMH6722 TSSOP package only | $V_{OUT} = 2.0V_{PP}$                 | 170                | 250                |                    | MHz             |
|                                      | Gain Flatness                              | $V_{OUT} = 2V_{PP}$                   |                    |                    |                    |                 |
| GFP                                  | Peaking                                    | DC to 120MHz                          |                    | 0.1                |                    | dB              |
| GFR                                  | Rolloff                                    | DC to 120MHz                          |                    | 0.1                |                    | dB              |
| LPD                                  | Linear Phase Deviation                     | DC to 120MHz                          |                    | 0.5                |                    | deg             |
| DG                                   | Differential Gain                          | $R_L = 150\Omega$ , 4.43MHz (LMH6714) |                    | 0.01               |                    | %               |
| DG                                   | Differential Gain                          | $R_L = 150\Omega$ , 4.43MHz (LMH6720) |                    | 0.02               |                    | %               |
| DP                                   | Differential Phase                         | $R_L = 150\Omega$ , 4.43MHz           |                    | 0.01               |                    | deg             |
| <b>Time Domain Response</b>          |  |                                       |                    |                    |                    |                 |
| TRS                                  | Rise and Fall Time                         | .5V Step                              |                    | 1.5                |                    | ns              |
| TRL                                  |  | 2V Step                               |                    | 2.6                |                    | ns              |
| $t_s$                                | Settling Time to 0.05%                     | 2V Step                               |                    | 12                 |                    | ns              |
| SR                                   | Slew Rate                                  | 6V Step                               | 1200               | 1800               |                    | V/ $\mu$ s      |
| <b>Distortion and Noise Response</b> |  |                                       |                    |                    |                    |                 |
| HD2                                  | 2nd Harmonic Distortion                    | $2V_{PP}$ , 20MHz                     |                    | -58                |                    | dBc             |
| HD3                                  | 3rd Harmonic Distortion                    | $2V_{PP}$ , 20MHz                     |                    | -70                |                    | dBc             |
| IMD                                  | 3rd Order Intermodulation Products         | 10MHz, $P_{OUT} = 0dBm$               |                    | -78                |                    | dBc             |
|                                      | Equivalent Input Noise                     |                                       |                    |                    |                    |                 |
| VN                                   | Non-Inverting Voltage                      | >1MHz                                 |                    | 3.4                |                    | nV/ $\sqrt{Hz}$ |
| NICN                                 | Inverting Current                          | >1MHz                                 |                    | 10                 |                    | pA/ $\sqrt{Hz}$ |
| ICN                                  | Non-Inverting Current                      | >1MHz                                 |                    | 1.2                |                    | pA/ $\sqrt{Hz}$ |

(1) All limits are specified by testing, design, or statistical analysis.

(2) Typical values represent the most likely parametric norm at the time of characterization. Actual typical values may vary over time and will also depend on the application and configuration. The typical values are not tested and are not ensured on shipped production material.

## Electrical Characteristics (continued)

Unless specified,  $A_V = +2$ ,  $R_F = 300\Omega$ :  $V_{CC} = \pm 5V$ ,  $R_L = 100\Omega$ , LMH6714/LMH6720/LMH6722. **Boldface** limits apply at temperature extremes.

| Symbol                           | Parameter                      | Conditions                         |         | Min <sup>(1)</sup>                       | Typ <sup>(2)</sup> | Max <sup>(1)</sup>                     | Units            |
|----------------------------------|--------------------------------|------------------------------------|---------|--|--------------------|--|------------------|
| <b>Static, DC Performance</b>    |                                |                                    |         |  |                    |  |                  |
| $V_{IO}$                         | Input Offset Voltage           |                                    |         |  | $\pm 0.2$          | $\pm 6$<br><b><math>\pm 8</math></b>   | mV               |
| DVIO                             | Average Drift                  |                                    |         |  | 8                  |  | $\mu V/^\circ C$ |
| $I_{BN}$                         | Input Bias Current             | Non-Inverting                      |         |  | $\pm 1$            | $\pm 10$<br><b><math>\pm 15</math></b> | $\mu A$          |
| DIBN                             | Average Drift                  |                                    |         |  | 4                  |  | $nA/^\circ C$    |
| $I_{BI}$                         | Input Bias Current             | Inverting                          |         |  | -4                 | $\pm 12$<br><b><math>\pm 20</math></b> | $\mu A$          |
| DIBI                             | Average Drift                  |                                    |         |  | 41                 |  | $nA/^\circ C$    |
| PSRR                             | Power Supply Rejection Ratio   | DC                                 |         | 48<br><b>47</b>                          | 58                 |  | dB               |
| CMRR                             | Common Mode Rejection Ratio    | DC                                 |         | 48<br><b>45</b>                          | 54                 |  | dB               |
| $I_{CC}$                         | Supply Current                 | $R_L = \infty$                     | LMH6714 | 4.5                                      | 5.6                | 7.5                                    | mA               |
|                                  |                                |                                    | LMH6720 | <b>3</b>                                 |                    | <b>8</b>                               |                  |
|                                  |                                |                                    | LMH6722 | 18<br><b>15</b>                          | 22.5               | 30<br><b>32</b>                        |                  |
| $I_{CCI}$                        | Supply Current During Shutdown | LMH6720                            |         |  | 500                | 670                                    | $\mu A$          |
| <b>Miscellaneous Performance</b> |                                |                                    |         |  |                    |  |                  |
| $R_{IN}$                         | Input Resistance               | Non-Inverting                      |         |  | 2                  |  | M $\Omega$       |
| $C_{IN}$                         | Input Capacitance              | Non-Inverting                      |         |  | 1.0                |  | pF               |
| $R_{OUT}$                        | Output Resistance              | Closed Loop                        |         |  | 0.06               |  | $\Omega$         |
| $V_{OUT}$                        | Output Voltage Range           | $R_L = \infty$                     |         | $\pm 3.5$<br><b><math>\pm 3.4</math></b> | $\pm 3.9$          |  | V                |
|                                  |                                | $R_L = 100\Omega$                  |         | $\pm 3.6$<br><b><math>\pm 3.4</math></b> | $\pm 3.8$          |  |                  |
| CMIR                             | Input Voltage Range            | Common Mode                        |         |  | $\pm 2.2$          |  | V                |
| $I_{OUT}$                        | Output Current <sup>(3)</sup>  | $V_{IN} = 0V$ , Max Linear Current |         | 50                                       | 70                 |  | mA               |
| OFFMAX                           | Voltage for Shutdown           | LMH6720                            |         |  |                    | <b>0.8</b>                             | V                |
| ONMIN                            | Voltage for Turn On            | LMH6720                            |         | <b>2.0</b>                               |                    |  | V                |
| IIH                              | Current Turn On                | LMH6720, $\overline{SD} = 2.0V$    |         | -20<br><b>-30</b>                        | 2                  | 20<br><b>30</b>                        | $\mu A$          |
| IIL                              | Current Shutdown               | LMH6720, $\overline{SD} = .8V$     |         | <b>-600</b>                              | -400               | <b>-100</b>                            | $\mu A$          |
| IOZ                              | $R_{OUT}$ Shutdown             | LMH6720, $\overline{SD} = .8V$     |         | 0.2                                      | 1.8                |  | M $\Omega$       |
| $t_{on}$                         | Turn on Time                   | LMH6720                            |         |  | 11                 |  | ns               |
| $t_{off}$                        | Turn off Time                  | LMH6720                            |         |  | 7                  |  | ns               |

(3) The maximum output current ( $I_{OUT}$ ) is determined by device power dissipation limitations. See the [POWER DISSIPATION](#) section for more details.

CONNECTION DIAGRAMS

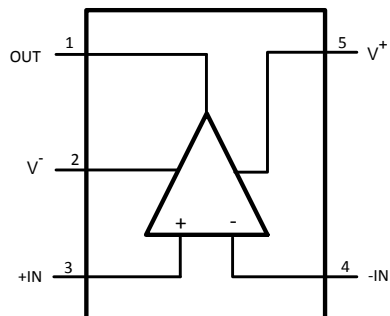


Figure 3. 5-Pin SOT-23 (LMH6714) (Top View)  
See Package Number DBV

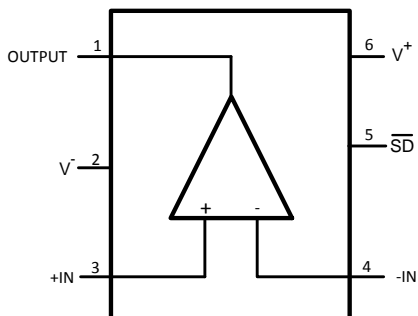


Figure 4. 6-Pin SOT-23 (LMH6720) (Top View)  
See Package Number DBV

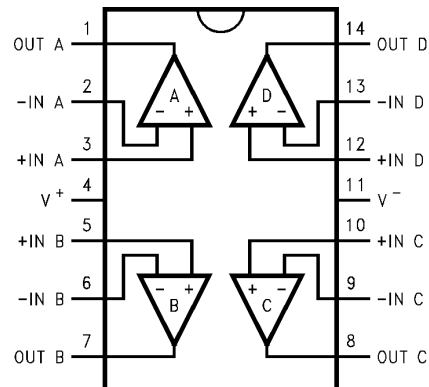


Figure 5. 14-Pin SOIC, TSSOP and WSON (LMH6722) (Top View)  
See Package Numbers D, PW, and NHK

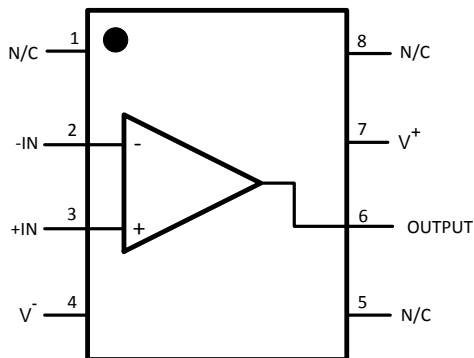


Figure 6. 8-Pin SOIC (LMH6714) (Top View)  
See Package Number D

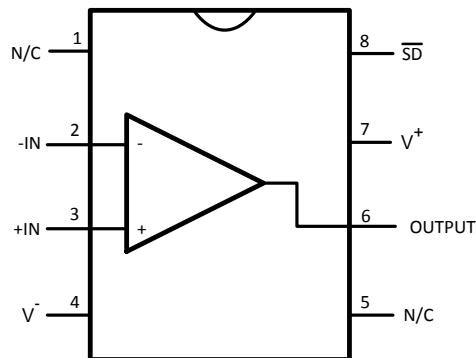


Figure 7. 8-Pin SOIC (LMH6720) (Top View)  
See Package Number D

### Typical Performance Characteristics

( $V^+ = +5V$ ,  $V^- = -5V$ ,  $A_V = 2$ ,  $R_F = 300\Omega$ ,  $R_L = 100\Omega$  Unless Specified).

**Non-Inverting Small Signal Frequency Response**

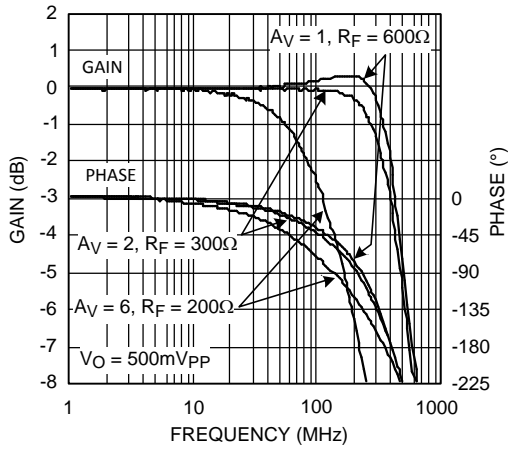


Figure 8.

**Non-Inverting Large Signal Frequency Response**

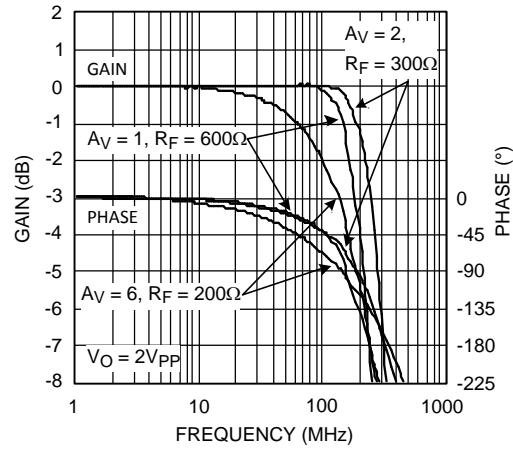


Figure 9.

**Inverting Frequency Response**

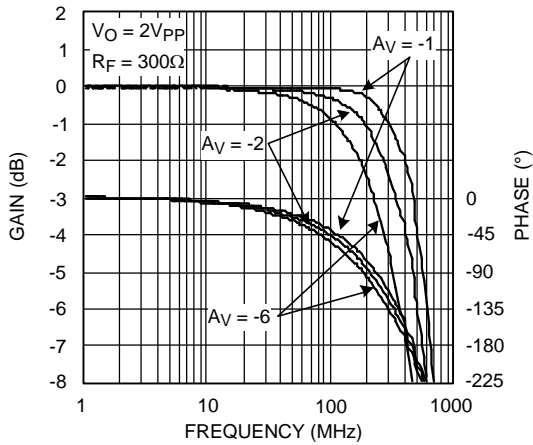


Figure 10.

**Non-Inverting Frequency Response vs. VO**

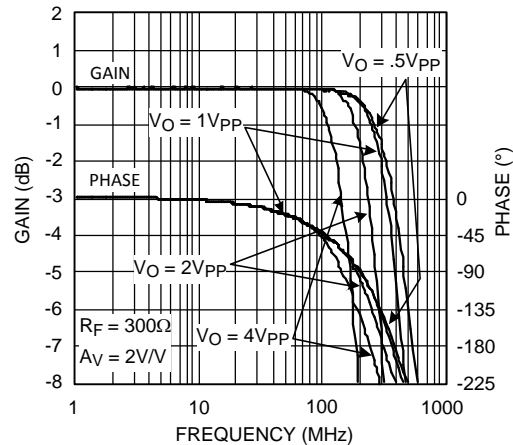


Figure 11.

**Inverting Frequency Response vs. VO**

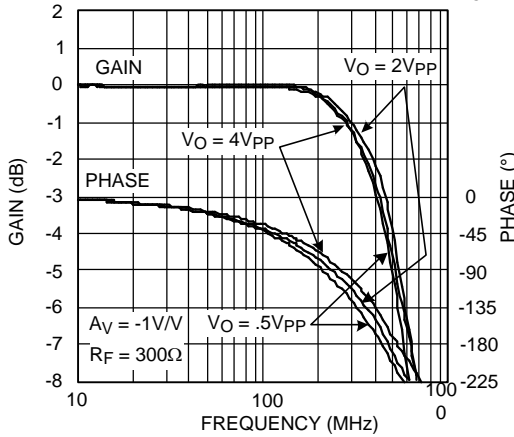


Figure 12.

**Harmonic Distortion vs. Frequency**

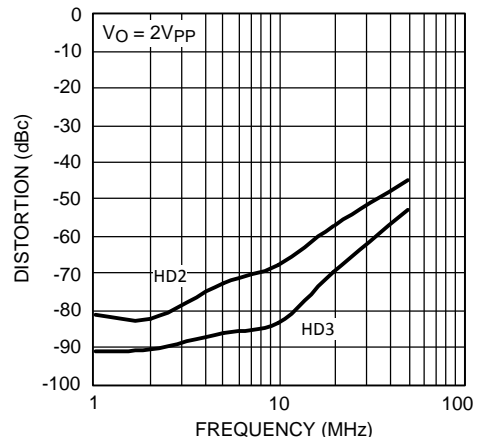


Figure 13.

Typical Performance Characteristics (continued)

( $V^+ = +5V$ ,  $V^- = -5V$ ,  $A_V = 2$ ,  $R_F = 300\Omega$ ,  $R_L = 100\Omega$  Unless Specified).

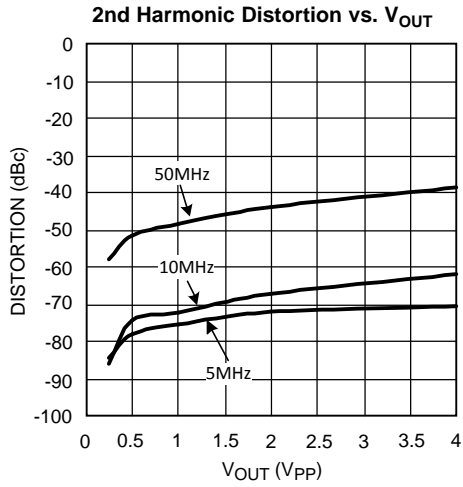


Figure 14.

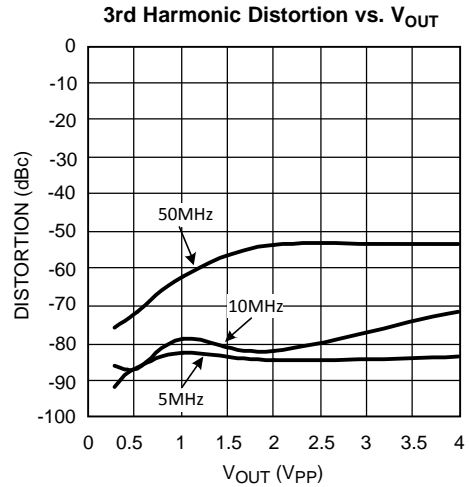


Figure 15.

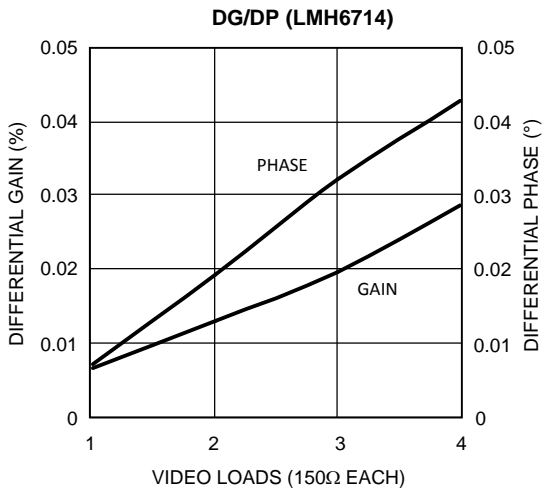


Figure 16.

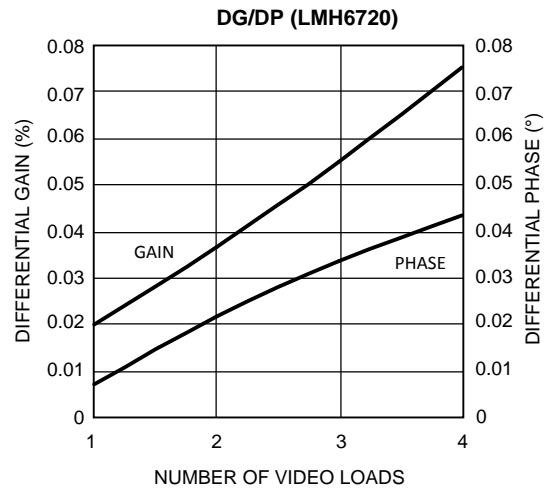


Figure 17.

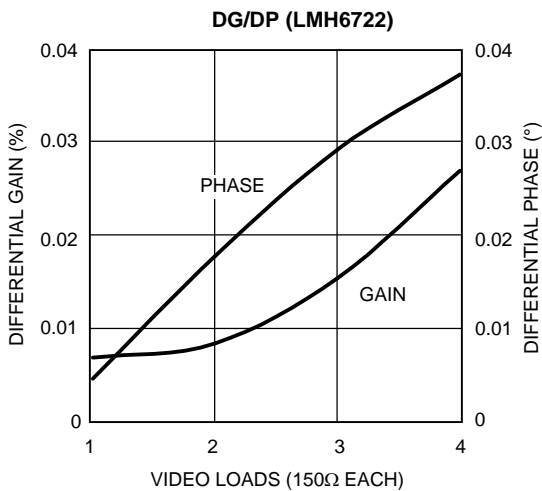


Figure 18.

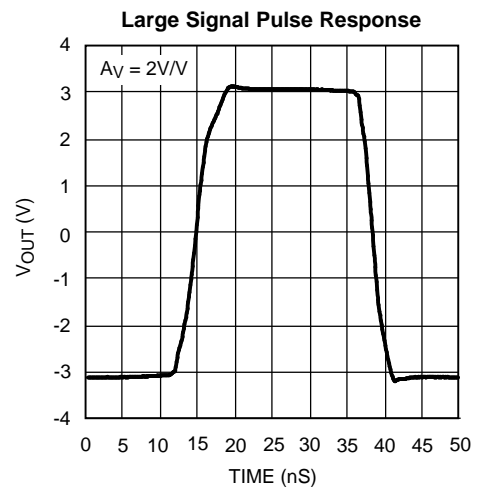


Figure 19.

Typical Performance Characteristics (continued)

( $V^+ = +5V$ ,  $V^- = -5V$ ,  $A_V = 2$ ,  $R_F = 300\Omega$ ,  $R_L = 100\Omega$  Unless Specified).

Small Signal Pulse Response

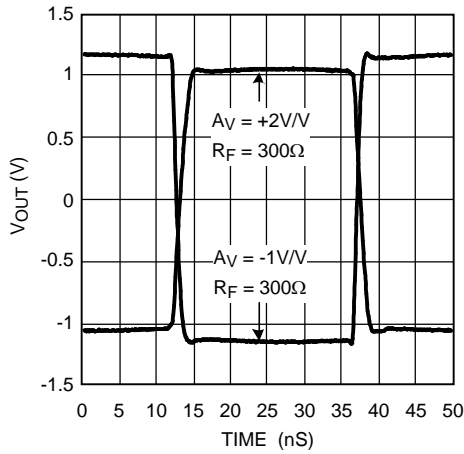


Figure 20.

Closed Loop Output Resistance

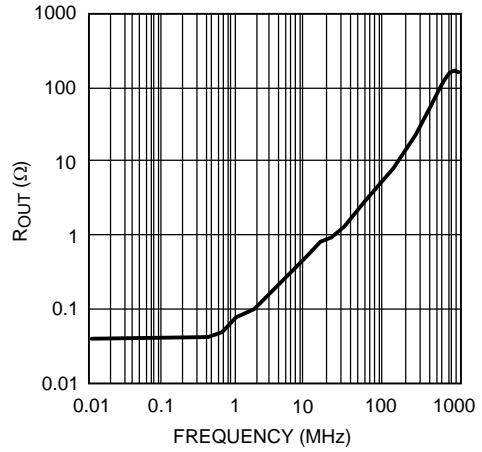


Figure 21.

Open Loop Transimpedance Z(s)

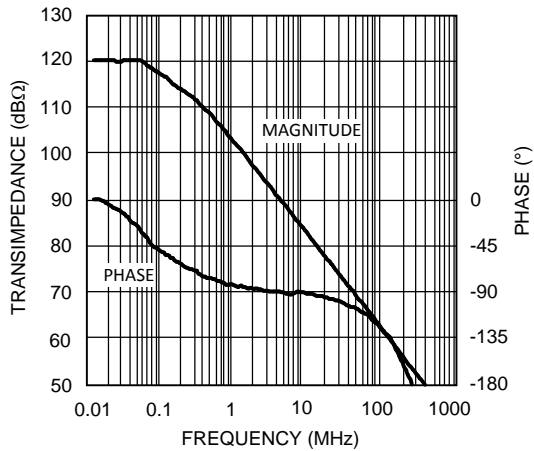


Figure 22.

PSRR vs. Frequency

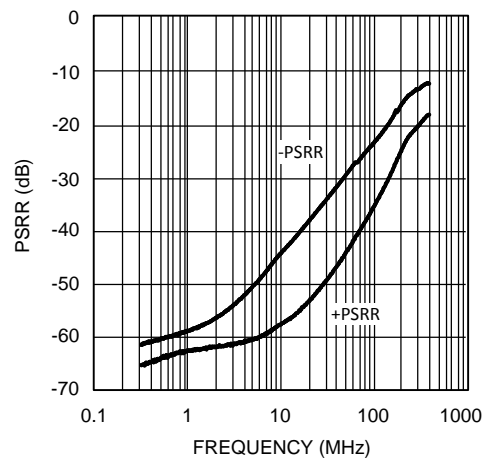


Figure 23.

CMRR vs. Frequency

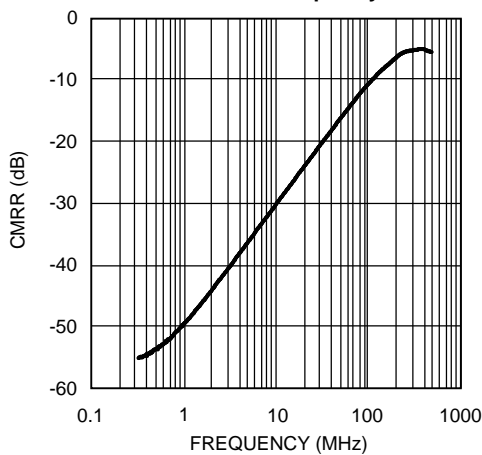


Figure 24.

Frequency Response vs.  $R_F$

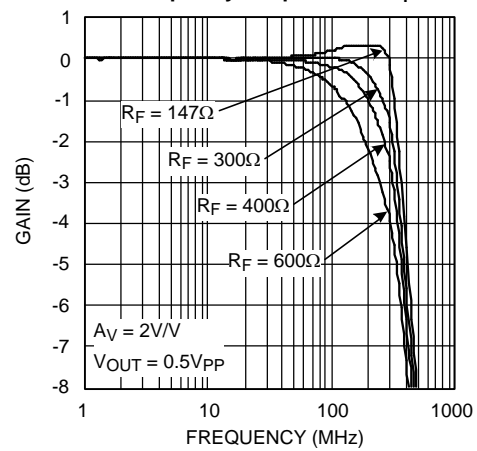


Figure 25.



Typical Performance Characteristics (continued)

( $V^+ = +5V$ ,  $V^- = -5V$ ,  $A_V = 2$ ,  $R_F = 300\Omega$ ,  $R_L = 100\Omega$  Unless Specified).

DC Errors vs. Temperature

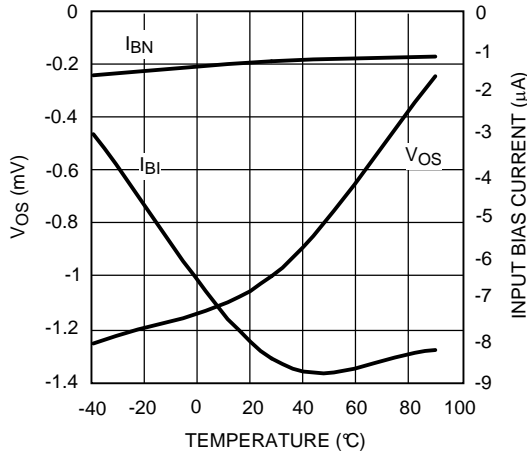


Figure 26.

Maximum  $V_{OUT}$  vs. Frequency

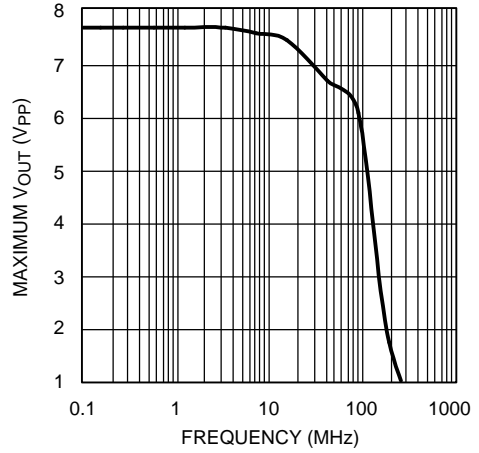


Figure 27.

3rd Order Intermodulation vs. Output Power

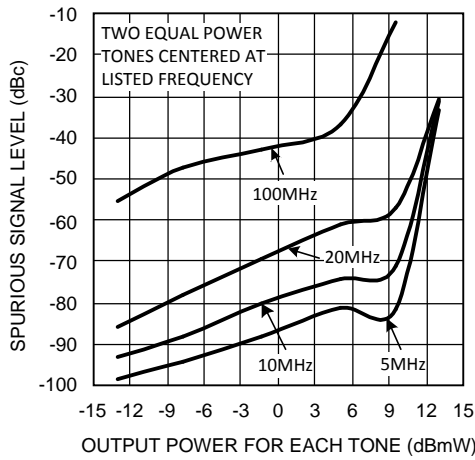


Figure 28.

Crosstalk vs. Frequency (LMH6722) for each channel with all others active

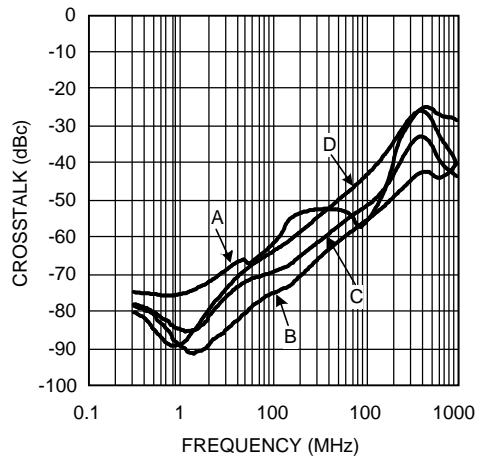


Figure 29.

Noise vs. Frequency

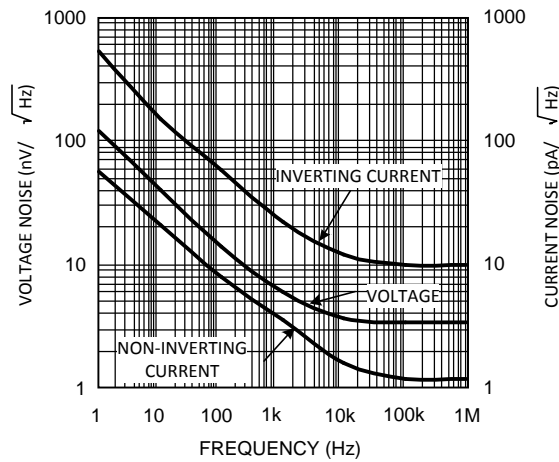
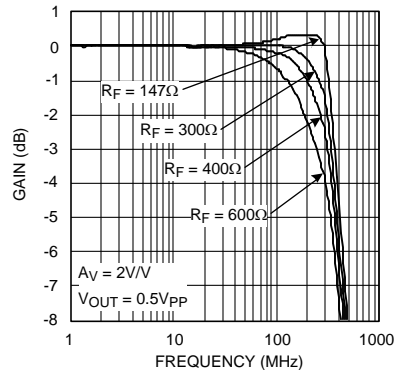


Figure 30.

## APPLICATION SECTION

### FEEDBACK RESISTOR SELECTION

One of the key benefits of a current feedback operational amplifier is the ability to maintain optimum frequency response independent of gain by using appropriate values for the feedback resistor ( $R_F$ ). The Electrical Characteristics and Typical Performance plots specify an  $R_F$  of  $300\Omega$ , a gain of  $+2V/V$  and  $\pm 5V$  power supplies (unless otherwise specified). Generally, lowering  $R_F$  from its recommended value will peak the frequency response and extend the bandwidth while increasing the value of  $R_F$  will cause the frequency response to roll off faster. Reducing the value of  $R_F$  too far below its recommended value will cause overshoot, ringing and, eventually, oscillation.

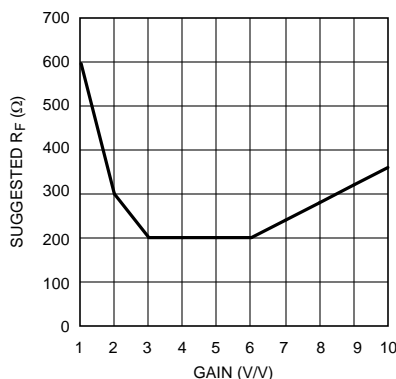


**Figure 31. Frequency Response vs.  $R_F$**

Figure 31 shows the LMH6714/LMH6720/LMH6722's frequency response as  $R_F$  is varied ( $R_L = 100\Omega$ ,  $A_V = +2$ ). This plot shows that an  $R_F$  of  $147\Omega$  results in peaking. An  $R_F$  of  $300\Omega$  gives near maximal bandwidth and gain flatness with good stability. An  $R_F$  of  $400\Omega$  gives excellent stability with only a small bandwidth penalty. Since all applications are slightly different it is worth some experimentation to find the optimal  $R_F$  for a given circuit. Note that it is not possible to use a current feedback amplifier with the output shorted directly to the inverting input. The buffer configuration of the LMH6714/LMH6720/LMH6722 requires a  $600\Omega$  feedback resistor for stable operation.

For more information see Application Note OA-13 (SNOA366) which describes the relationship between  $R_F$  and closed-loop frequency response for current feedback operational amplifiers. The value for the inverting input impedance for the LMH6714/LMH6720/LMH6722 is approximately  $180\Omega$ . The LMH6714/LMH6720/LMH6722 is designed for optimum performance at gains of  $+1$  to  $+6 V/V$  and  $-1$  to  $-5V/V$ . When using gains of  $\pm 7V/V$  or more the low values of  $R_G$  required will make inverting input impedances very low.

When configuring the LMH6714/LMH6720/LMH6722 for gains other than  $+2V/V$ , it is usually necessary to adjust the value of the feedback resistor. Figure 32 and Figure 33 provide recommended feedback resistor values for a number of gain selections.



**Figure 32.  $R_F$  vs. Non-Inverting Gain**



Disabled, the LMH6720 inputs and output become high impedances. While disabled the LMH6720 quiescent current is approximately 500 $\mu$ A. Because of the pull up resistor on the disable circuit the  $I_{CC}$  and  $I_{EE}$  currents are not balanced in the disabled state. The positive supply current ( $I_{CC}$ ) is approximately 500 $\mu$ A while the negative supply current ( $I_{EE}$ ) is only 200 $\mu$ A. The remaining  $I_{EE}$  current of 300 $\mu$ A flows through the disable pin.

The disable function can be used to create analog switches or multiplexers. Implement a single analog switch with one LMH6720 positioned between an input and output. Create an analog multiplexer with several LMH6720's. The LMH6720 is at it's best at a gain of 1 for multiplexer applications because there is no  $R_G$  to shunt signals to ground.

### DISABLE LIMITATIONS (LMH6720 ONLY)

The feedback Resistor ( $R_F$ ) limits off isolation in inverting gain configurations. During shutdown the impedance of the LMH6720 inputs and output become very high (>1M $\Omega$ ), however  $R_F$  and  $R_G$  are the dominant factor for effective output impedance.

Do not apply voltages greater than  $+V_{CC}$  or less than 0V ( $V_{CC}/2$  single supply) to the disable pin. The input ESD diodes will also conduct if the signal leakage through the feedback resistors brings the inverting input near either supply rail.

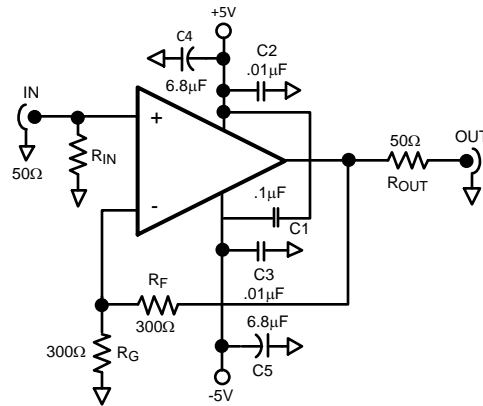


Figure 35. Typical Application with Suggested Supply Bypassing

### LAYOUT CONSIDERATIONS

Whenever questions about layout arise, use the evaluation board as a guide. The following Evaluation boards are available with sample parts:

|         |        |           |
|---------|--------|-----------|
| LMH6714 | SOT-23 | LMH730216 |
|         | SOIC   | LMH730227 |
| LMH6720 | SOT-23 | LMH730216 |
|         | SOIC   | LMH730227 |
| LMH6722 | SOIC   | LMH730231 |
|         | TSSOP  | LMH730131 |

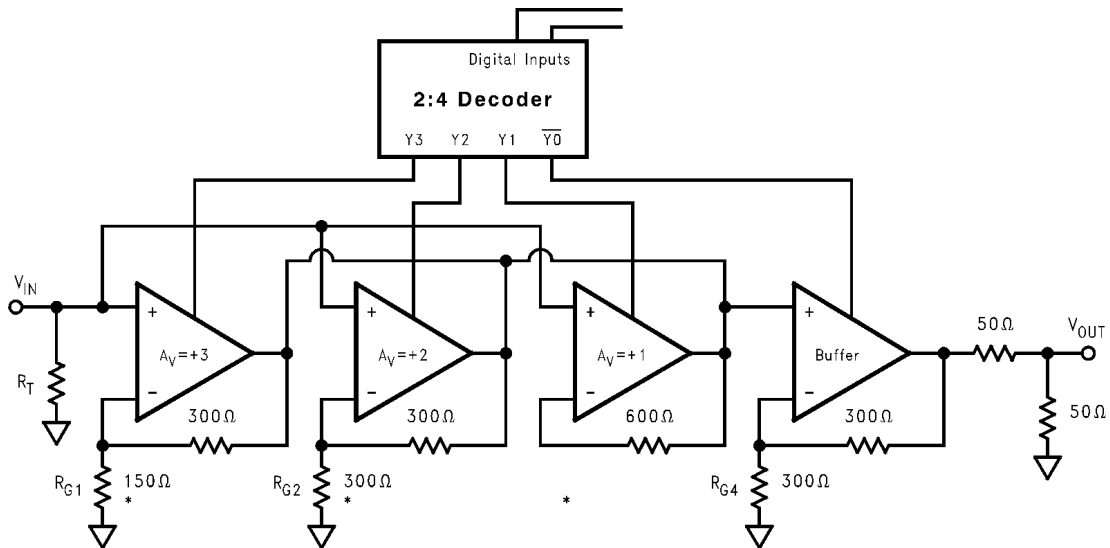
To reduce parasitic capacitances, the ground plane should be removed near the input and output pins. To reduce series inductance, trace lengths of components in the feedback loop should be minimized. For long signal paths controlled impedance lines should be used, along with impedance matching at both ends.

Bypass capacitors should be placed as close to the device as possible. Bypass capacitors from each rail to ground are applied in pairs. The larger electrolytic bypass capacitors can be located anywhere on the board, the smaller ceramic capacitors should be placed as close to the device as possible. In addition [Figure 35](#) shows a capacitor (C1) across the supplies with no connection to ground. This capacitor is optional, however it is required for best 2nd Harmonic suppression. If this capacitor is omitted C2 and C3 should be increased to .1 $\mu$ F each.

## VIDEO PERFORMANCE

The LMH6714/LMH6720/LMH6722 has been designed to provide excellent performance with both PAL and NTSC composite video signals. Performance degrades as the loading is increased, therefore best performance will be obtained with back terminated loads. The back termination reduces reflections from the transmission line and effectively masks capacitance from the amplifier output stage. While all parts offer excellent video performance the LMH6714 and LMH6722 are slightly better than the LMH6720.

## WIDE BAND DIGITAL PROGRAMMABLE GAIN AMPLIFIER (LMH6720 ONLY)



\*NOTE: Selectable gains can be changed by using different  $R_g$  resistors.

Figure 36. Wideband Digitally Controlled Programmable Gain Amplifier

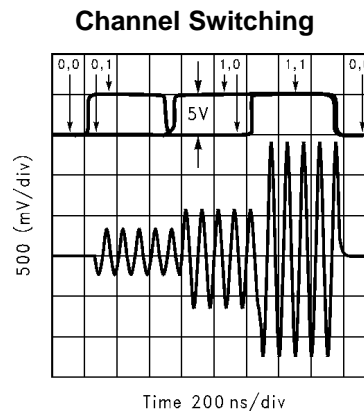


Figure 37. PGA Output

As shown in [Figure 36](#) and [Figure 37](#) the LMH6720 can be used to construct a digitally controlled programmable gain amplifier. Each amplifier is configured to provide a digitally selectable gain. To provide for accurate gain settings, 1% or better tolerance is recommended on the feedback and gain resistors. The gain provided by each digital code is arbitrary through selection of the feedback and gain resistor values.

## AMPLITUDE EQUALIZATION

Sending signals over coaxial cable greater than 50 meters in length will attenuate high frequency signal components much more than lower frequency components. An equalizer can be made to pre emphasize the higher frequency components so that the final signal has less distortion. This process can be done at either end of the cable. The circuit in Figure 38 shows a receiver with some additional components in the feedback loop to equalize the incoming signal. The RC networks peak the signal at higher frequencies. This peaking is a piecewise linear approximation of the inverse of the frequency response of the coaxial cable. Figure 39 shows the effect of this equalization on a digital signal that has passed through 150 meters of coaxial cable. Figure 40 shows a Bode plot of the frequency response of the circuit in Figure 38 along with equations needed to design the pole and zero frequencies. Figure 41 shows a network analyzer plot of an LMH6714/LMH6720/LMH6722 with the following component values:

$$R_G = 309\Omega$$

$$R_1 = 450\Omega$$

$$C_1 = 470\text{pF}$$

$$R_2 = 91\Omega$$

$$C_2 = 68\text{pF}$$

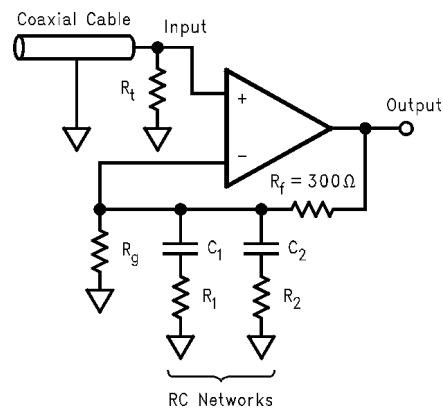


Figure 38. Equalizer Circuit Schematic

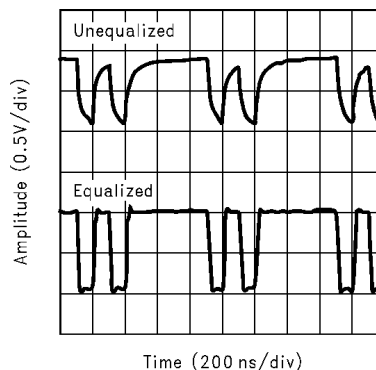


Figure 39. Digital Signal without and with Equalization

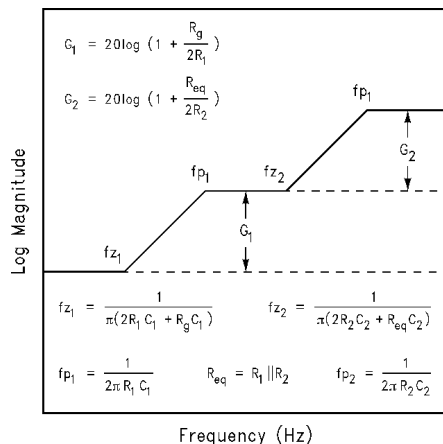


Figure 40. Design Equations

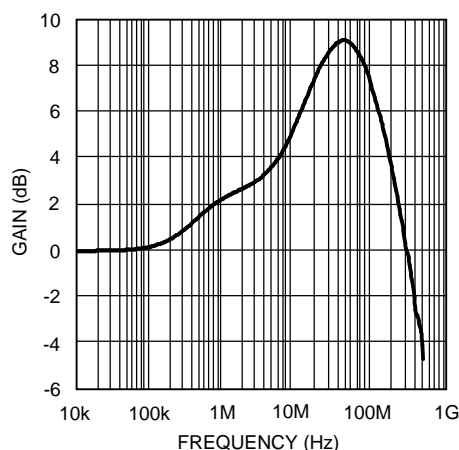


Figure 41. Equalizer Frequency Response

## POWER DISSIPATION

Follow these steps to determine the Maximum power dissipation for the LMH6714/LMH6720/LMH6722:

1. Calculate the quiescent (no load) power:  $P_{AMP} = I_{CC} (V_{CC} - V_{EE})$
2. Calculate the RMS power at the output stage:  $P_{OUT} (RMS) = ((V_{CC} - V_{OUT} (RMS)) * I_{OUT} (RMS))$ , where  $V_{OUT}$  and  $I_{OUT}$  are the voltage and current across the external load.
3. Calculate the total RMS power:  $P_T = P_{AMP} + P_{OUT}$

The maximum power that the LMH6714/LMH6720/LMH6722, package can dissipate at a given temperature can be derived with the following equation:

$P_{MAX} = (150^\circ - T_A) / \theta_{JA}$ , where  $T_A$  = Ambient temperature ( $^\circ C$ ) and  $\theta_{JA}$  = Thermal resistance, from junction to ambient, for a given package ( $^\circ C/W$ ). For the SOIC package  $\theta_{JA}$  is  $145^\circ C/W$ , for the 5-pin SOT-23 it is  $232^\circ C/W$ .

## REVISION HISTORY

| Changes from Revision F (April 2013) to Revision G         | Page               |
|--|--------------------|
| • Changed layout of National Data Sheet to TI format ..... | <a href="#">15</a> |



**PACKAGING INFORMATION**

| Orderable Device | Status<br>(1) | Package Type | Package Drawing | Pins | Package Qty | Eco Plan<br>(2)  | Lead finish/<br>Ball material<br>(6) | MSL Peak Temp<br>(3) | Op Temp (°C) | Device Marking<br>(4/5) | Samples                 |
|------------------|---------------|--------------|-----------------|------|-------------|------------------|--------------------------------------|----------------------|--------------|-------------------------|-------------------------|
| LMH6714MA        | NRND          | SOIC         | D               | 8    | 95          | Non-RoHS & Green | Call TI                              | Level-1-235C-UNLIM   | -40 to 85    | LMH6714MA               |                         |
| LMH6714MA/NOPB   | ACTIVE        | SOIC         | D               | 8    | 95          | RoHS & Green     | SN                                   | Level-1-260C-UNLIM   | -40 to 85    | LMH6714MA               | <a href="#">Samples</a> |
| LMH6714MAX/NOPB  | ACTIVE        | SOIC         | D               | 8    | 2500        | RoHS & Green     | SN                                   | Level-1-260C-UNLIM   | -40 to 85    | LMH6714MA               | <a href="#">Samples</a> |
| LMH6714MF        | NRND          | SOT-23       | DBV             | 5    | 1000        | Non-RoHS & Green | Call TI                              | Level-1-260C-UNLIM   | -40 to 85    | A95A                    |                         |
| LMH6714MF/NOPB   | ACTIVE        | SOT-23       | DBV             | 5    | 1000        | RoHS & Green     | SN                                   | Level-1-260C-UNLIM   | -40 to 85    | A95A                    | <a href="#">Samples</a> |
| LMH6714MFX/NOPB  | ACTIVE        | SOT-23       | DBV             | 5    | 3000        | RoHS & Green     | SN                                   | Level-1-260C-UNLIM   | -40 to 85    | A95A                    | <a href="#">Samples</a> |
| LMH6720MA/NOPB   | ACTIVE        | SOIC         | D               | 8    | 95          | RoHS & Green     | SN                                   | Level-1-260C-UNLIM   | -40 to 85    | LMH6720MA               | <a href="#">Samples</a> |
| LMH6720MAX/NOPB  | ACTIVE        | SOIC         | D               | 8    | 2500        | RoHS & Green     | SN                                   | Level-1-260C-UNLIM   | -40 to 85    | LMH6720MA               | <a href="#">Samples</a> |
| LMH6720MF/NOPB   | ACTIVE        | SOT-23       | DBV             | 6    | 1000        | RoHS & Green     | SN                                   | Level-1-260C-UNLIM   | -40 to 85    | A96A                    | <a href="#">Samples</a> |
| LMH6720MFX/NOPB  | ACTIVE        | SOT-23       | DBV             | 6    | 3000        | RoHS & Green     | SN                                   | Level-1-260C-UNLIM   | -40 to 85    | A96A                    | <a href="#">Samples</a> |
| LMH6722MA        | NRND          | SOIC         | D               | 14   | 55          | Non-RoHS & Green | Call TI                              | Level-1-235C-UNLIM   | -40 to 85    | LMH6722MA               |                         |
| LMH6722MA/NOPB   | ACTIVE        | SOIC         | D               | 14   | 55          | RoHS & Green     | SN                                   | Level-1-260C-UNLIM   | -40 to 85    | LMH6722MA               | <a href="#">Samples</a> |
| LMH6722MAX       | NRND          | SOIC         | D               | 14   | 2500        | Non-RoHS & Green | Call TI                              | Level-1-235C-UNLIM   | -40 to 85    | LMH6722MA               |                         |
| LMH6722MAX/NOPB  | ACTIVE        | SOIC         | D               | 14   | 2500        | RoHS & Green     | SN                                   | Level-1-260C-UNLIM   | -40 to 85    | LMH6722MA               | <a href="#">Samples</a> |
| LMH6722MT/NOPB   | ACTIVE        | TSSOP        | PW              | 14   | 94          | RoHS & Green     | SN                                   | Level-1-260C-UNLIM   | -40 to 85    | LMH6722MT               | <a href="#">Samples</a> |
| LMH6722MTX/NOPB  | ACTIVE        | TSSOP        | PW              | 14   | 2500        | RoHS & Green     | SN                                   | Level-1-260C-UNLIM   | -40 to 85    | LMH6722MT               | <a href="#">Samples</a> |
| LMH6722QSD/NOPB  | ACTIVE        | WSON         | NHK             | 14   | 1000        | RoHS & Green     | SN                                   | Level-1-260C-UNLIM   | -40 to 125   | L6722Q                  | <a href="#">Samples</a> |

| Orderable Device | Status<br>(1) | Package Type | Package Drawing | Pins | Package Qty | Eco Plan<br>(2) | Lead finish/<br>Ball material<br>(6) | MSL Peak Temp<br>(3) | Op Temp (°C) | Device Marking<br>(4/5) | Samples                 |
|------------------|---------------|--------------|-----------------|------|-------------|-----------------|--------------------------------------|----------------------|--------------|-------------------------|-------------------------|
| LMH6722QSDX/NOPB | ACTIVE        | WSON         | NHK             | 14   | 4500        | RoHS & Green    | SN                                   | Level-1-260C-UNLIM   | -40 to 125   | L6722Q                  | <a href="#">Samples</a> |
| LMH6722SD/NOPB   | ACTIVE        | WSON         | NHK             | 14   | 1000        | RoHS & Green    | SN                                   | Level-1-260C-UNLIM   | -40 to 85    | L6722                   | <a href="#">Samples</a> |

(1) The marketing status values are defined as follows:

**ACTIVE:** Product device recommended for new designs.

**LIFEBUY:** TI has announced that the device will be discontinued, and a lifetime-buy period is in effect.

**NRND:** Not recommended for new designs. Device is in production to support existing customers, but TI does not recommend using this part in a new design.

**PREVIEW:** Device has been announced but is not in production. Samples may or may not be available.

**OBSOLETE:** TI has discontinued the production of the device.

(2) **RoHS:** TI defines "RoHS" to mean semiconductor products that are compliant with the current EU RoHS requirements for all 10 RoHS substances, including the requirement that RoHS substance do not exceed 0.1% by weight in homogeneous materials. Where designed to be soldered at high temperatures, "RoHS" products are suitable for use in specified lead-free processes. TI may reference these types of products as "Pb-Free".

**RoHS Exempt:** TI defines "RoHS Exempt" to mean products that contain lead but are compliant with EU RoHS pursuant to a specific EU RoHS exemption.

**Green:** TI defines "Green" to mean the content of Chlorine (Cl) and Bromine (Br) based flame retardants meet JS709B low halogen requirements of <=1000ppm threshold. Antimony trioxide based flame retardants must also meet the <=1000ppm threshold requirement.

(3) MSL, Peak Temp. - The Moisture Sensitivity Level rating according to the JEDEC industry standard classifications, and peak solder temperature.

(4) There may be additional marking, which relates to the logo, the lot trace code information, or the environmental category on the device.

(5) Multiple Device Markings will be inside parentheses. Only one Device Marking contained in parentheses and separated by a "~" will appear on a device. If a line is indented then it is a continuation of the previous line and the two combined represent the entire Device Marking for that device.

(6) Lead finish/Ball material - Orderable Devices may have multiple material finish options. Finish options are separated by a vertical ruled line. Lead finish/Ball material values may wrap to two lines if the finish value exceeds the maximum column width.

**Important Information and Disclaimer:** The information provided on this page represents TI's knowledge and belief as of the date that it is provided. TI bases its knowledge and belief on information provided by third parties, and makes no representation or warranty as to the accuracy of such information. Efforts are underway to better integrate information from third parties. TI has taken and continues to take reasonable steps to provide representative and accurate information but may not have conducted destructive testing or chemical analysis on incoming materials and chemicals. TI and TI suppliers consider certain information to be proprietary, and thus CAS numbers and other limited information may not be available for release.

In no event shall TI's liability arising out of such information exceed the total purchase price of the TI part(s) at issue in this document sold by TI to Customer on an annual basis.

**OTHER QUALIFIED VERSIONS OF LMH6722, LMH6722-Q1 :**

- Catalog : [LMH6722](#)
- Automotive : [LMH6722-Q1](#)

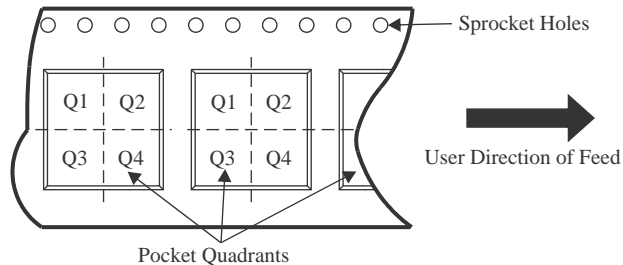
NOTE: Qualified Version Definitions:

- Catalog - TI's standard catalog product
- Automotive - Q100 devices qualified for high-reliability automotive applications targeting zero defects

## TAPE AND REEL INFORMATION



### QUADRANT ASSIGNMENTS FOR PIN 1 ORIENTATION IN TAPE



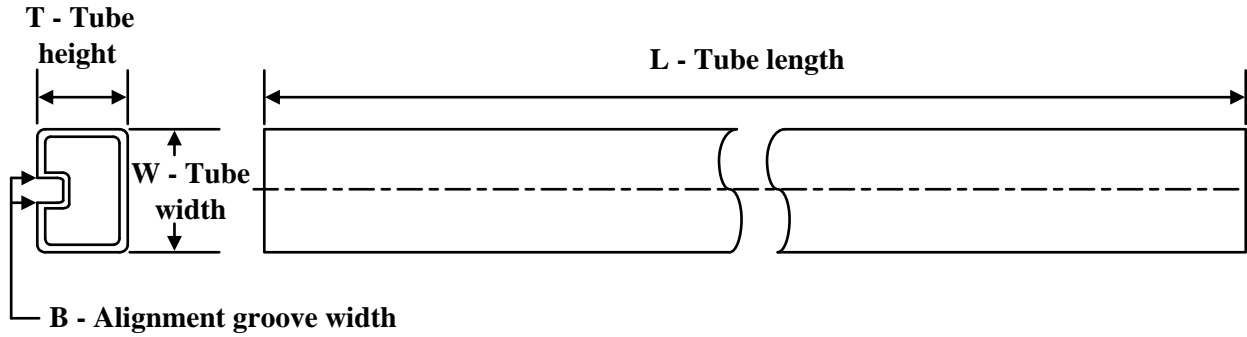
\*All dimensions are nominal

| Device           | Package Type | Package Drawing | Pins | SPQ  | Reel Diameter (mm) | Reel Width W1 (mm) | A0 (mm) | B0 (mm) | K0 (mm) | P1 (mm) | W (mm) | Pin1 Quadrant |
|------------------|--------------|-----------------|------|------|--------------------|--------------------|---------|---------|---------|---------|--------|---------------|
| LMH6714MAX/NOPB  | SOIC         | D               | 8    | 2500 | 330.0              | 12.4               | 6.5     | 5.4     | 2.0     | 8.0     | 12.0   | Q1            |
| LMH6714MF        | SOT-23       | DBV             | 5    | 1000 | 178.0              | 8.4                | 3.2     | 3.2     | 1.4     | 4.0     | 8.0    | Q3            |
| LMH6714MF/NOPB   | SOT-23       | DBV             | 5    | 1000 | 178.0              | 8.4                | 3.2     | 3.2     | 1.4     | 4.0     | 8.0    | Q3            |
| LMH6714MFX/NOPB  | SOT-23       | DBV             | 5    | 3000 | 178.0              | 8.4                | 3.2     | 3.2     | 1.4     | 4.0     | 8.0    | Q3            |
| LMH6720MAX/NOPB  | SOIC         | D               | 8    | 2500 | 330.0              | 12.4               | 6.5     | 5.4     | 2.0     | 8.0     | 12.0   | Q1            |
| LMH6720MF/NOPB   | SOT-23       | DBV             | 6    | 1000 | 178.0              | 8.4                | 3.2     | 3.2     | 1.4     | 4.0     | 8.0    | Q3            |
| LMH6720MFX/NOPB  | SOT-23       | DBV             | 6    | 3000 | 178.0              | 8.4                | 3.2     | 3.2     | 1.4     | 4.0     | 8.0    | Q3            |
| LMH6722MAX       | SOIC         | D               | 14   | 2500 | 330.0              | 16.4               | 6.5     | 9.35    | 2.3     | 8.0     | 16.0   | Q1            |
| LMH6722MAX/NOPB  | SOIC         | D               | 14   | 2500 | 330.0              | 16.4               | 6.5     | 9.35    | 2.3     | 8.0     | 16.0   | Q1            |
| LMH6722MTX/NOPB  | TSSOP        | PW              | 14   | 2500 | 330.0              | 12.4               | 6.95    | 5.6     | 1.6     | 8.0     | 12.0   | Q1            |
| LMH6722QSD/NOPB  | WSON         | NHK             | 14   | 1000 | 178.0              | 12.4               | 3.3     | 4.3     | 1.0     | 8.0     | 12.0   | Q1            |
| LMH6722QSDX/NOPB | WSON         | NHK             | 14   | 4500 | 330.0              | 12.4               | 3.3     | 4.3     | 1.0     | 8.0     | 12.0   | Q1            |
| LMH6722SD/NOPB   | WSON         | NHK             | 14   | 1000 | 178.0              | 12.4               | 3.3     | 4.3     | 1.0     | 8.0     | 12.0   | Q1            |

**TAPE AND REEL BOX DIMENSIONS**


\*All dimensions are nominal

| Device           | Package Type | Package Drawing | Pins | SPQ  | Length (mm) | Width (mm) | Height (mm) |
|------------------|--------------|-----------------|------|------|-------------|------------|-------------|
| LMH6714MAX/NOPB  | SOIC         | D               | 8    | 2500 | 367.0       | 367.0      | 35.0        |
| LMH6714MF        | SOT-23       | DBV             | 5    | 1000 | 208.0       | 191.0      | 35.0        |
| LMH6714MF/NOPB   | SOT-23       | DBV             | 5    | 1000 | 208.0       | 191.0      | 35.0        |
| LMH6714MFX/NOPB  | SOT-23       | DBV             | 5    | 3000 | 208.0       | 191.0      | 35.0        |
| LMH6720MAX/NOPB  | SOIC         | D               | 8    | 2500 | 367.0       | 367.0      | 35.0        |
| LMH6720MF/NOPB   | SOT-23       | DBV             | 6    | 1000 | 208.0       | 191.0      | 35.0        |
| LMH6720MFX/NOPB  | SOT-23       | DBV             | 6    | 3000 | 208.0       | 191.0      | 35.0        |
| LMH6722MAX       | SOIC         | D               | 14   | 2500 | 356.0       | 356.0      | 35.0        |
| LMH6722MAX/NOPB  | SOIC         | D               | 14   | 2500 | 356.0       | 356.0      | 35.0        |
| LMH6722MTX/NOPB  | TSSOP        | PW              | 14   | 2500 | 356.0       | 356.0      | 35.0        |
| LMH6722QSD/NOPB  | WSON         | NHK             | 14   | 1000 | 208.0       | 191.0      | 35.0        |
| LMH6722QSDX/NOPB | WSON         | NHK             | 14   | 4500 | 356.0       | 356.0      | 35.0        |
| LMH6722SD/NOPB   | WSON         | NHK             | 14   | 1000 | 208.0       | 191.0      | 35.0        |

**TUBE**


\*All dimensions are nominal

| Device         | Package Name | Package Type | Pins | SPQ | L (mm) | W (mm) | T (μm) | B (mm) |
|----------------|--------------|--------------|------|-----|--------|--------|--------|--------|
| LMH6714MA      | D            | SOIC         | 8    | 95  | 495    | 8      | 4064   | 3.05   |
| LMH6714MA      | D            | SOIC         | 8    | 95  | 495    | 8      | 4064   | 3.05   |
| LMH6714MA/NOPB | D            | SOIC         | 8    | 95  | 495    | 8      | 4064   | 3.05   |
| LMH6720MA/NOPB | D            | SOIC         | 8    | 95  | 495    | 8      | 4064   | 3.05   |
| LMH6722MA      | D            | SOIC         | 14   | 55  | 495    | 8      | 4064   | 3.05   |
| LMH6722MA      | D            | SOIC         | 14   | 55  | 495    | 8      | 4064   | 3.05   |
| LMH6722MA/NOPB | D            | SOIC         | 14   | 55  | 495    | 8      | 4064   | 3.05   |
| LMH6722MA/NOPB | D            | SOIC         | 14   | 55  | 495    | 8      | 4064   | 3.05   |
| LMH6722MT/NOPB | PW           | TSSOP        | 14   | 94  | 495    | 8      | 2514.6 | 4.06   |



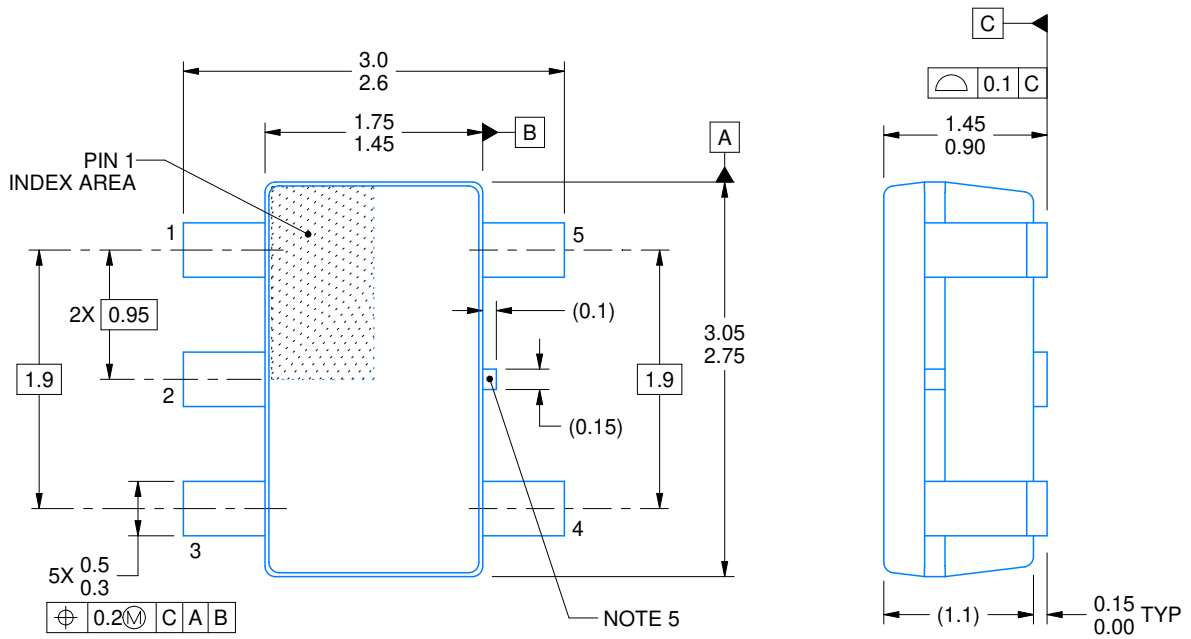
DBV0005A



# PACKAGE OUTLINE

SOT-23 - 1.45 mm max height

SMALL OUTLINE TRANSISTOR



4214839/G 03/2023

## NOTES:

1. All linear dimensions are in millimeters. Any dimensions in parenthesis are for reference only. Dimensioning and tolerancing per ASME Y14.5M.
2. This drawing is subject to change without notice.
3. Reference JEDEC MO-178.
4. Body dimensions do not include mold flash, protrusions, or gate burrs. Mold flash, protrusions, or gate burrs shall not exceed 0.25 mm per side.
5. Support pin may differ or may not be present.

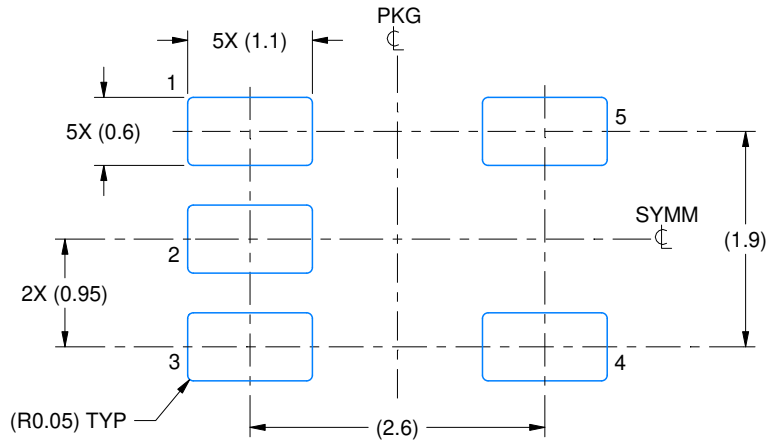


# EXAMPLE BOARD LAYOUT

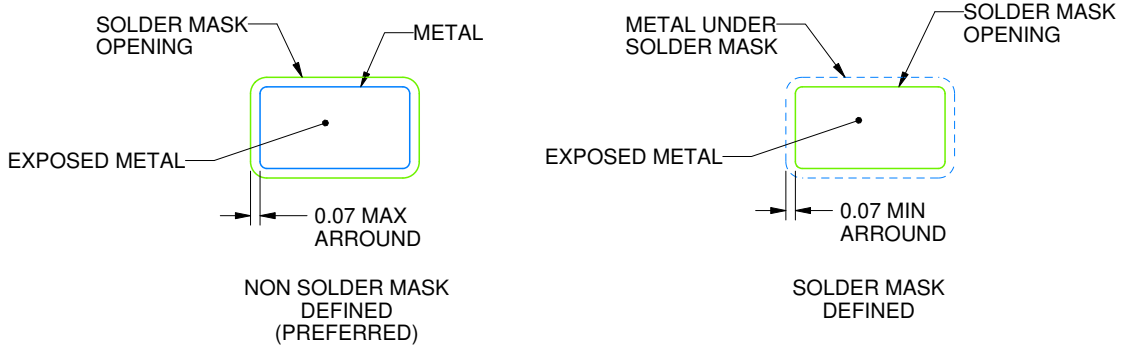
DBV0005A

SOT-23 - 1.45 mm max height

SMALL OUTLINE TRANSISTOR



LAND PATTERN EXAMPLE  
EXPOSED METAL SHOWN  
SCALE:15X



SOLDER MASK DETAILS

4214839/G 03/2023

NOTES: (continued)

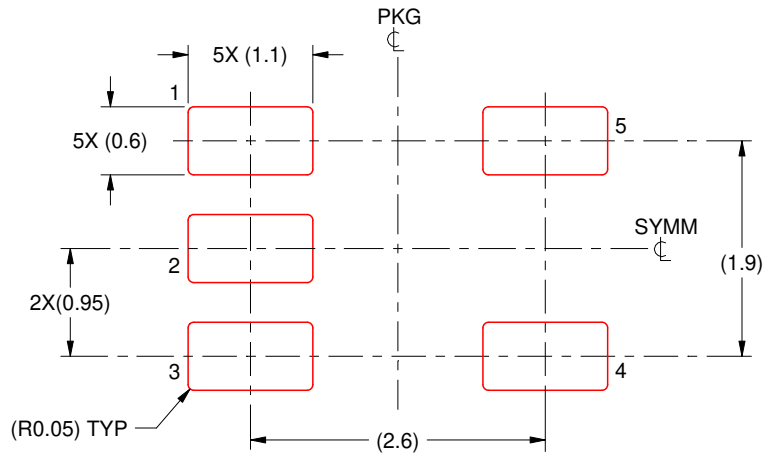
- 6. Publication IPC-7351 may have alternate designs.
- 7. Solder mask tolerances between and around signal pads can vary based on board fabrication site.

# EXAMPLE STENCIL DESIGN

DBV0005A

SOT-23 - 1.45 mm max height

SMALL OUTLINE TRANSISTOR



SOLDER PASTE EXAMPLE  
BASED ON 0.125 mm THICK STENCIL  
SCALE:15X

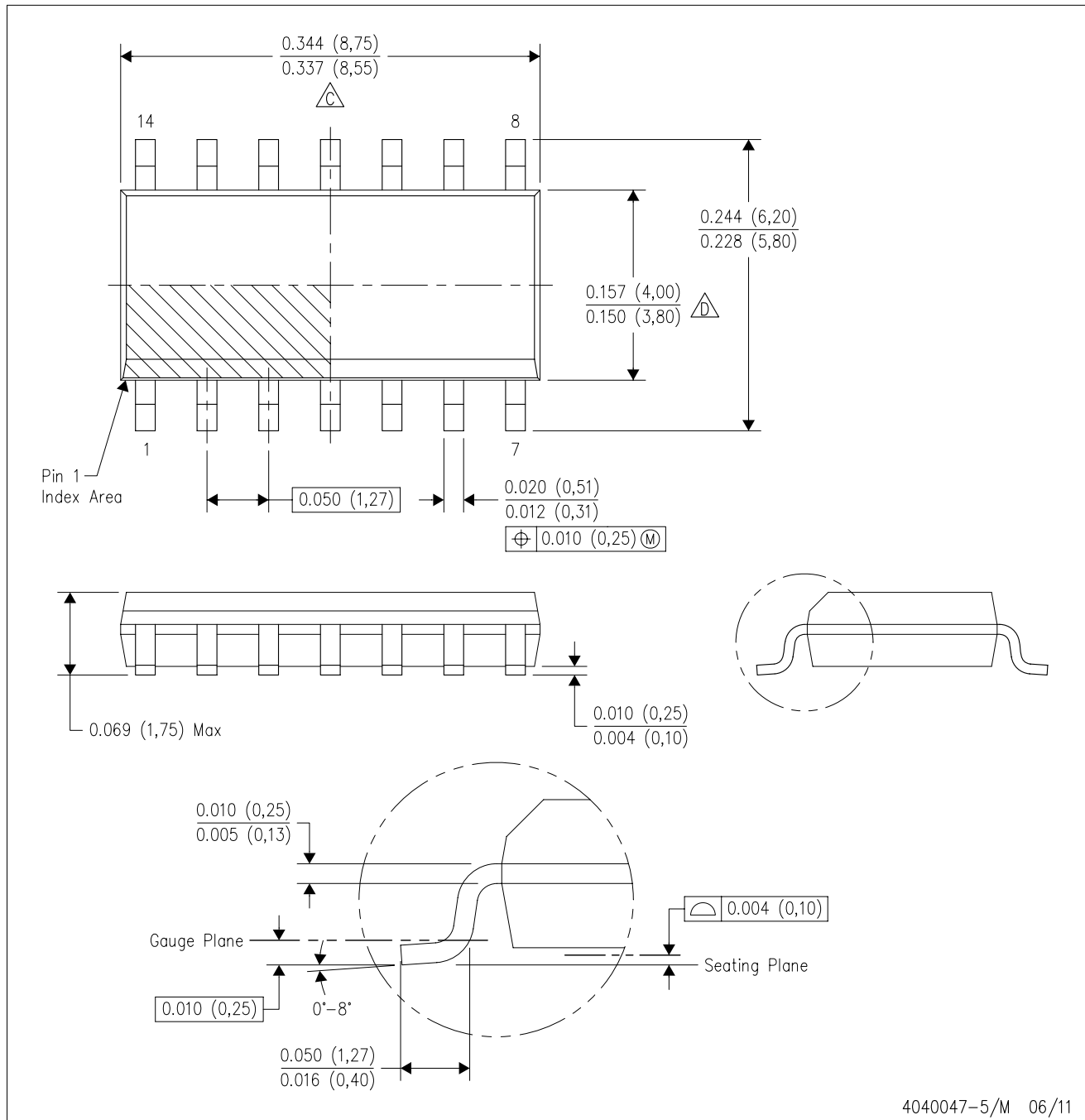
4214839/G 03/2023

NOTES: (continued)



8. Laser cutting apertures with trapezoidal walls and rounded corners may offer better paste release. IPC-7525 may have alternate design recommendations.
9. Board assembly site may have different recommendations for stencil design.

D (R-PDSO-G14)

PLASTIC SMALL OUTLINE

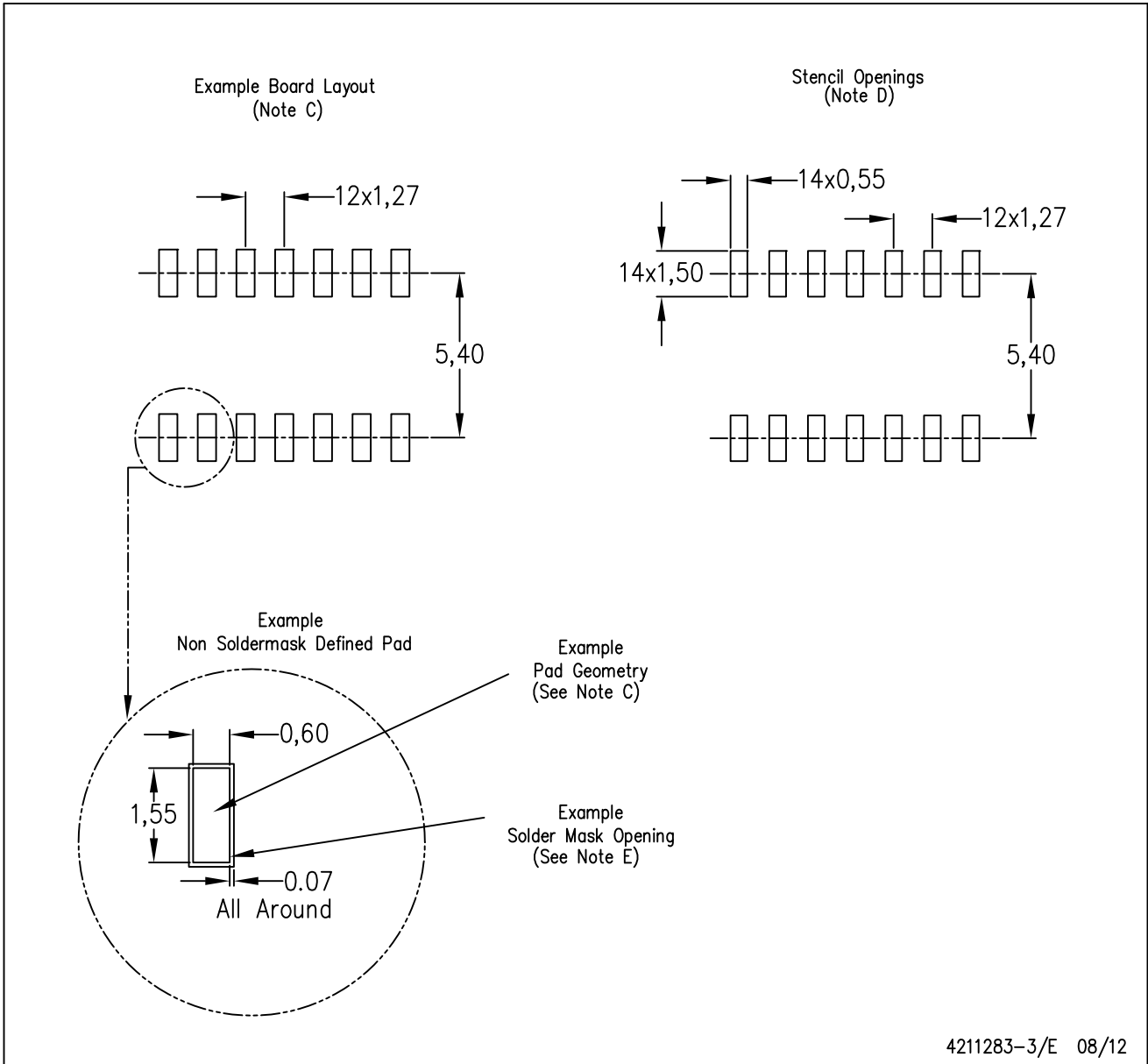


4040047-5/M 06/11

- NOTES:
- A. All linear dimensions are in inches (millimeters).
  - B. This drawing is subject to change without notice.
  -  Body length does not include mold flash, protrusions, or gate burrs. Mold flash, protrusions, or gate burrs shall not exceed 0.006 (0,15) each side.
  -  Body width does not include interlead flash. Interlead flash shall not exceed 0.017 (0,43) each side.
  - E. Reference JEDEC MS-012 variation AB.

D (R-PDSO-G14)

PLASTIC SMALL OUTLINE

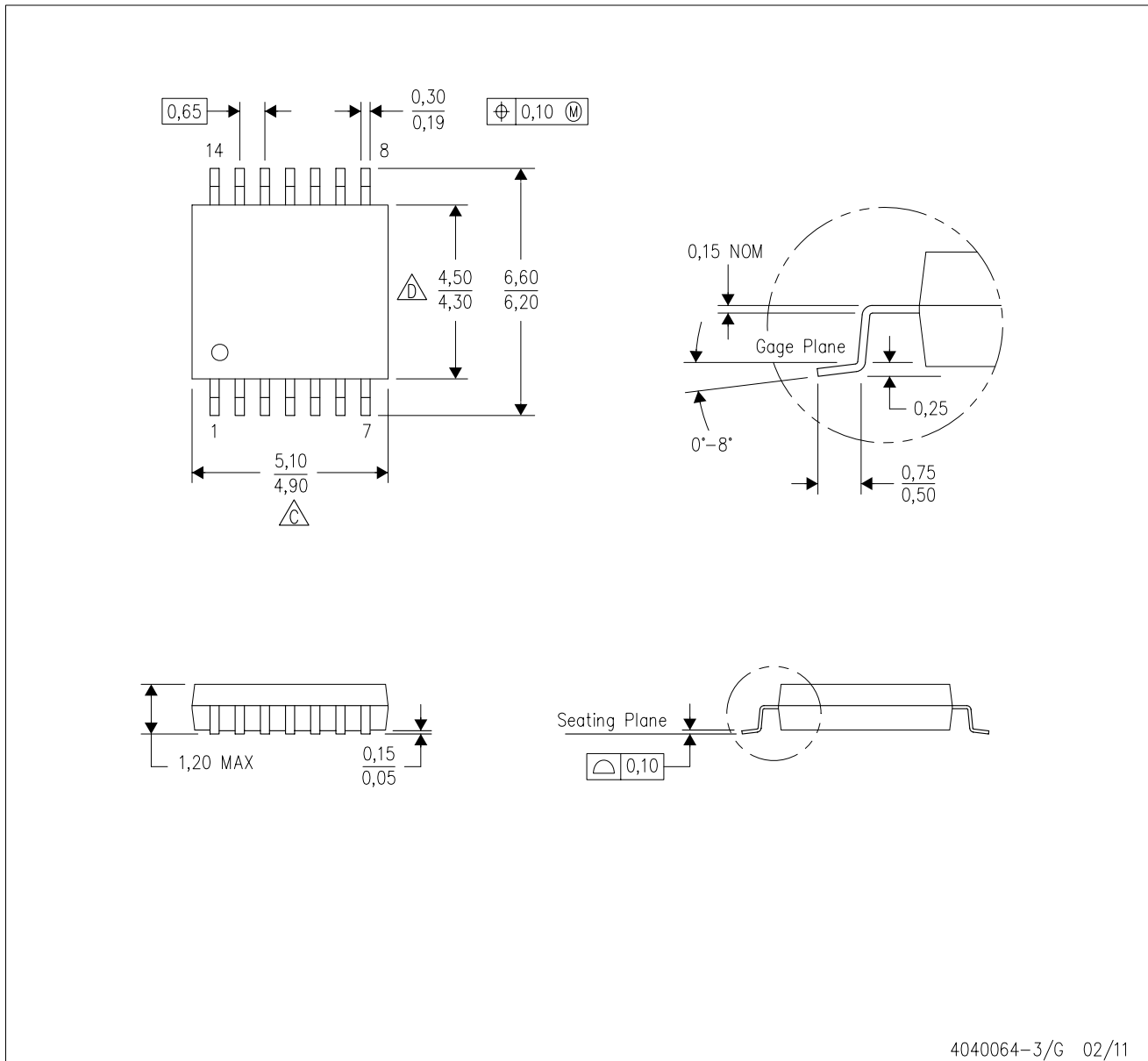


4211283-3/E 08/12

- NOTES:
- All linear dimensions are in millimeters.
  - This drawing is subject to change without notice.
  - Publication IPC-7351 is recommended for alternate designs.
  - Laser cutting apertures with trapezoidal walls and also rounding corners will offer better paste release. Customers should contact their board assembly site for stencil design recommendations. Refer to IPC-7525 for other stencil recommendations.
  - Customers should contact their board fabrication site for solder mask tolerances between and around signal pads.

PW (R-PDSO-G14)

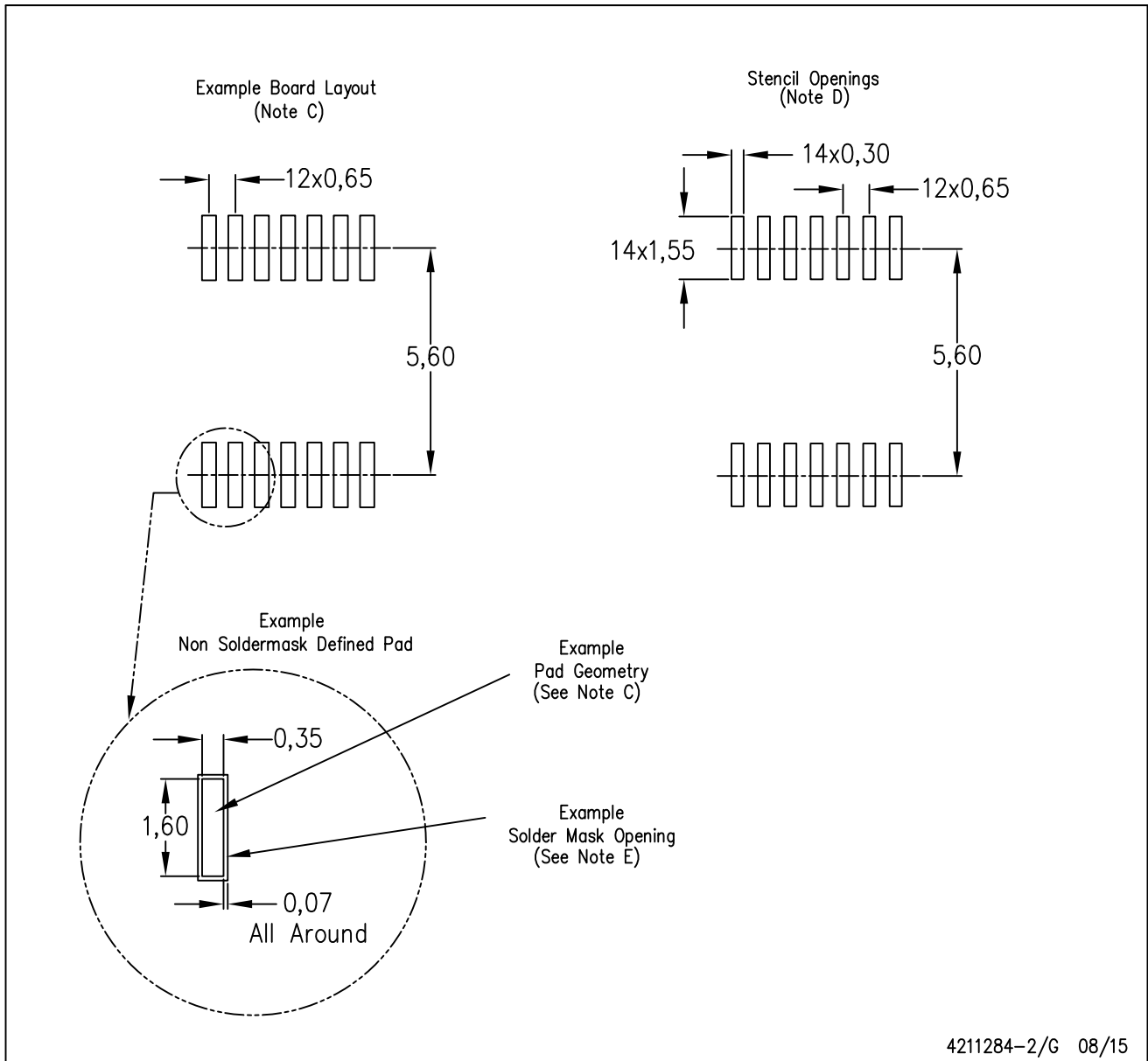
PLASTIC SMALL OUTLINE



- NOTES:
- A. All linear dimensions are in millimeters. Dimensioning and tolerancing per ASME Y14.5M-1994.
  - B. This drawing is subject to change without notice.
  - C. Body length does not include mold flash, protrusions, or gate burrs. Mold flash, protrusions, or gate burrs shall not exceed 0,15 each side.
  - D. Body width does not include interlead flash. Interlead flash shall not exceed 0,25 each side.
  - E. Falls within JEDEC MO-153

PW (R-PDSO-G14)

PLASTIC SMALL OUTLINE



- NOTES:
- All linear dimensions are in millimeters.
  - This drawing is subject to change without notice.
  - Publication IPC-7351 is recommended for alternate designs.
  - Laser cutting apertures with trapezoidal walls and also rounding corners will offer better paste release. Customers should contact their board assembly site for stencil design recommendations. Refer to IPC-7525 for other stencil recommendations.
  - Customers should contact their board fabrication site for solder mask tolerances between and around signal pads.

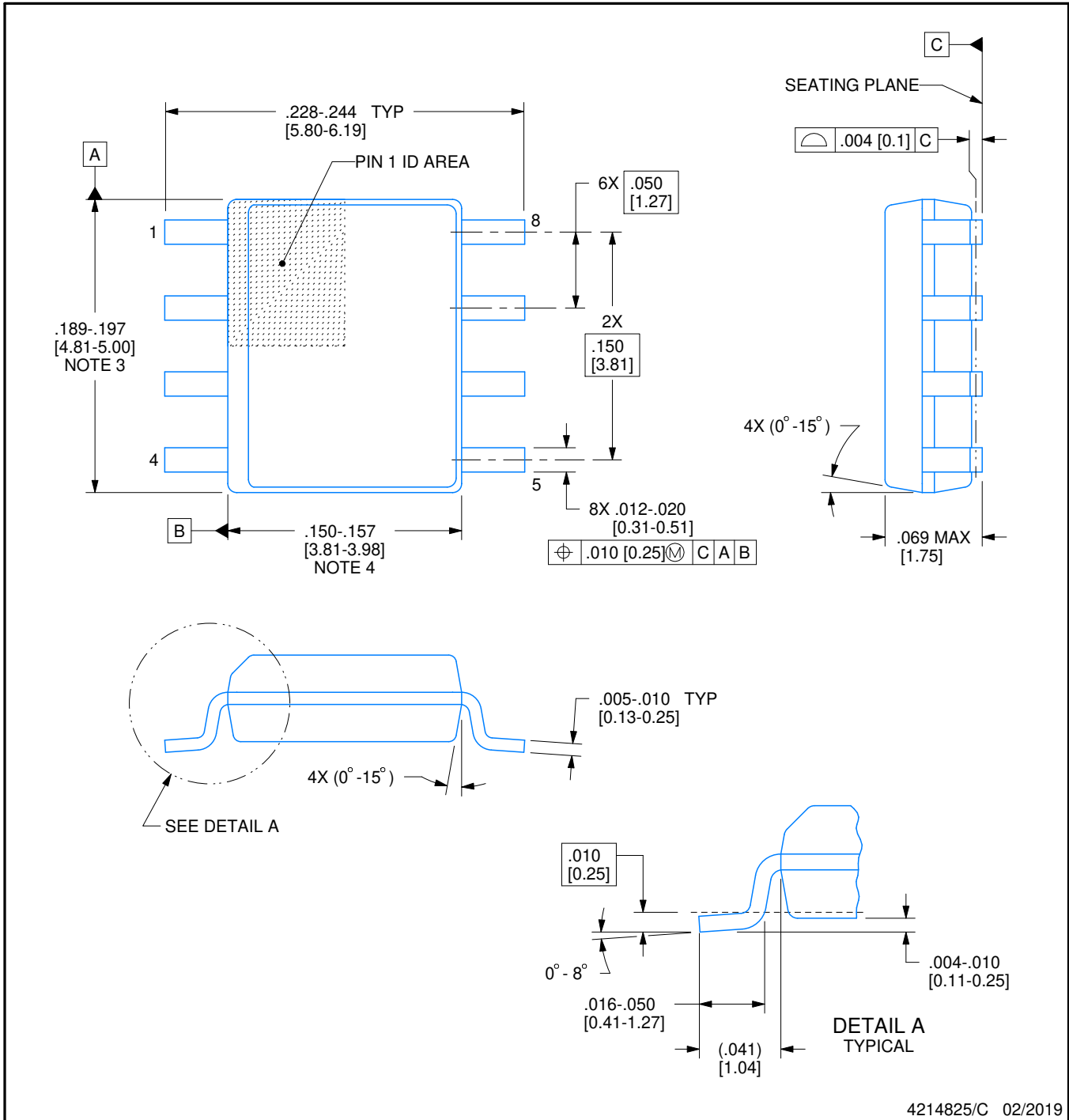


D0008A

# PACKAGE OUTLINE

SOIC - 1.75 mm max height

SMALL OUTLINE INTEGRATED CIRCUIT



### NOTES:

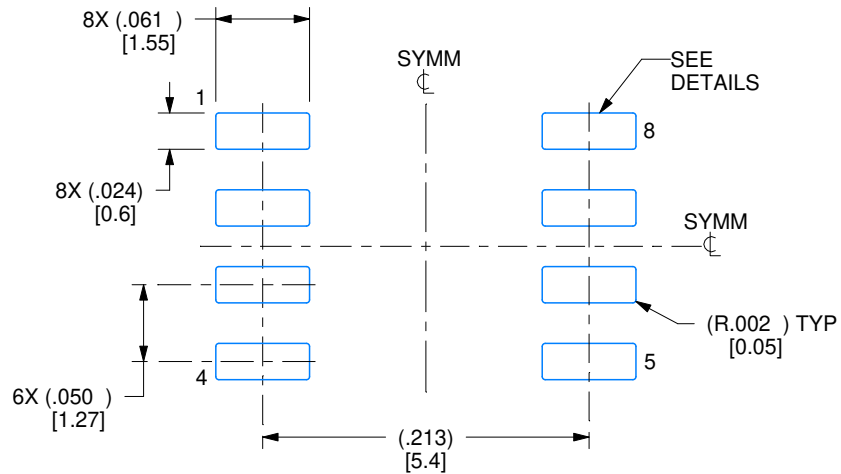
1. Linear dimensions are in inches [millimeters]. Dimensions in parenthesis are for reference only. Controlling dimensions are in inches. Dimensioning and tolerancing per ASME Y14.5M.
2. This drawing is subject to change without notice.
3. This dimension does not include mold flash, protrusions, or gate burrs. Mold flash, protrusions, or gate burrs shall not exceed .006 [0.15] per side.
4. This dimension does not include interlead flash.
5. Reference JEDEC registration MS-012, variation AA.

# EXAMPLE BOARD LAYOUT

D0008A

SOIC - 1.75 mm max height

SMALL OUTLINE INTEGRATED CIRCUIT



LAND PATTERN EXAMPLE  
EXPOSED METAL SHOWN  
SCALE:8X



SOLDER MASK DETAILS

4214825/C 02/2019

NOTES: (continued)

- 6. Publication IPC-7351 may have alternate designs.
- 7. Solder mask tolerances between and around signal pads can vary based on board fabrication site.



# EXAMPLE STENCIL DESIGN

D0008A

SOIC - 1.75 mm max height

SMALL OUTLINE INTEGRATED CIRCUIT



SOLDER PASTE EXAMPLE  
BASED ON .005 INCH [0.125 MM] THICK STENCIL  
SCALE:8X

4214825/C 02/2019

NOTES: (continued)

8. Laser cutting apertures with trapezoidal walls and rounded corners may offer better paste release. IPC-7525 may have alternate design recommendations.
9. Board assembly site may have different recommendations for stencil design.

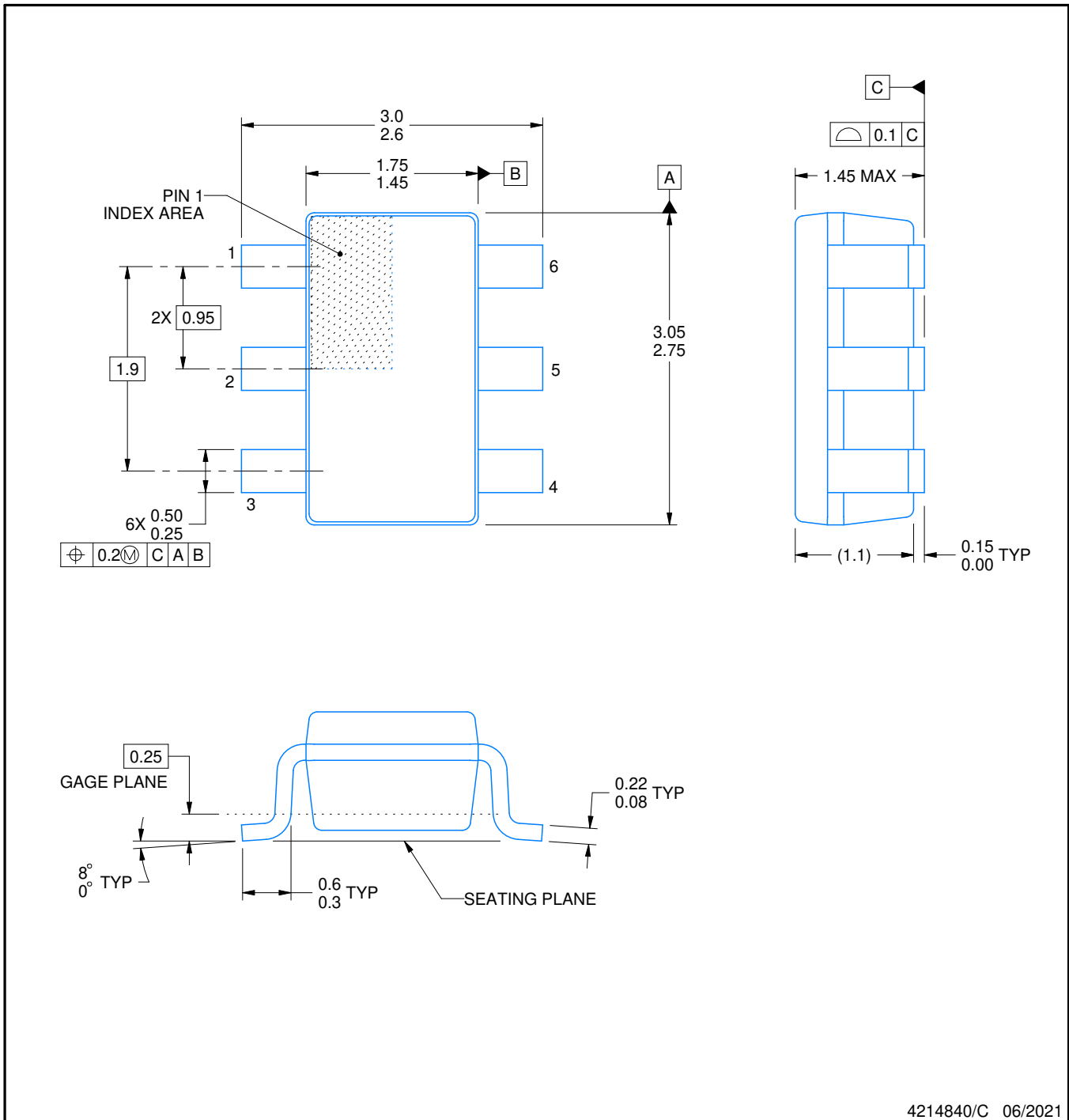
# DBV0006A



# PACKAGE OUTLINE

SOT-23 - 1.45 mm max height

SMALL OUTLINE TRANSISTOR



4214840/C 06/2021

## NOTES:

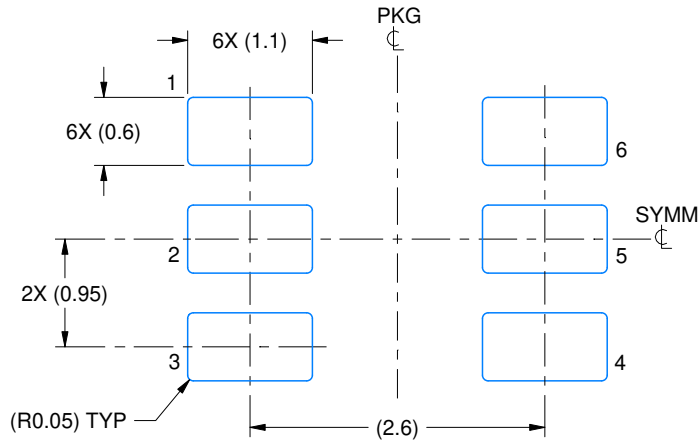
1. All linear dimensions are in millimeters. Any dimensions in parenthesis are for reference only. Dimensioning and tolerancing per ASME Y14.5M.
2. This drawing is subject to change without notice.
3. Body dimensions do not include mold flash or protrusion. Mold flash and protrusion shall not exceed 0.25 per side.
4. Leads 1,2,3 may be wider than leads 4,5,6 for package orientation.
5. Reference JEDEC MO-178.

# EXAMPLE BOARD LAYOUT

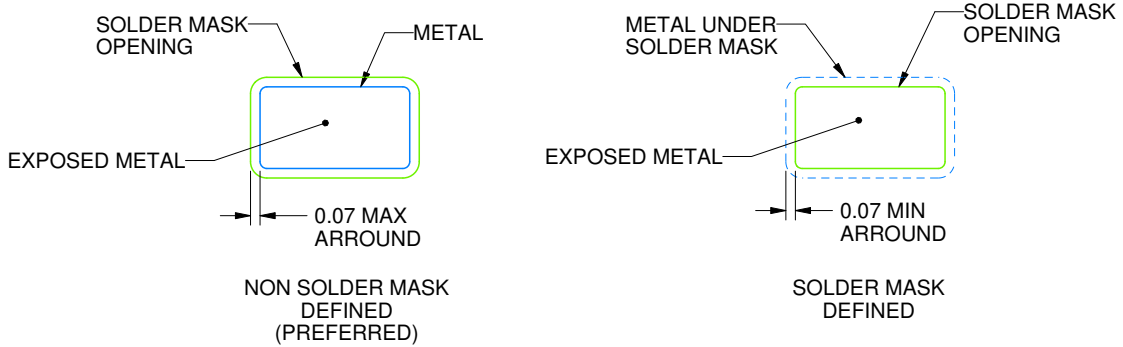
DBV0006A

SOT-23 - 1.45 mm max height

SMALL OUTLINE TRANSISTOR



LAND PATTERN EXAMPLE  
EXPOSED METAL SHOWN  
SCALE:15X



SOLDER MASK DETAILS

4214840/C 06/2021

NOTES: (continued)

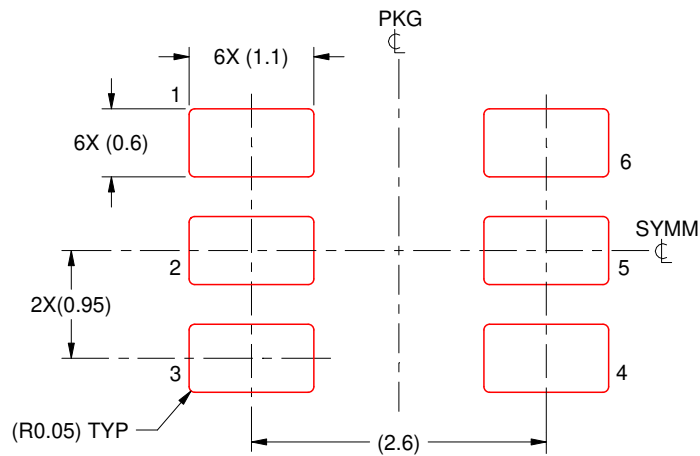
- 6. Publication IPC-7351 may have alternate designs.
- 7. Solder mask tolerances between and around signal pads can vary based on board fabrication site.

# EXAMPLE STENCIL DESIGN

DBV0006A

SOT-23 - 1.45 mm max height

SMALL OUTLINE TRANSISTOR



SOLDER PASTE EXAMPLE  
BASED ON 0.125 mm THICK STENCIL  
SCALE:15X

4214840/C 06/2021

NOTES: (continued)

8. Laser cutting apertures with trapezoidal walls and rounded corners may offer better paste release. IPC-7525 may have alternate design recommendations.
9. Board assembly site may have different recommendations for stencil design.

## IMPORTANT NOTICE AND DISCLAIMER

TI PROVIDES TECHNICAL AND RELIABILITY DATA (INCLUDING DATA SHEETS), DESIGN RESOURCES (INCLUDING REFERENCE DESIGNS), APPLICATION OR OTHER DESIGN ADVICE, WEB TOOLS, SAFETY INFORMATION, AND OTHER RESOURCES "AS IS" AND WITH ALL FAULTS, AND DISCLAIMS ALL WARRANTIES, EXPRESS AND IMPLIED, INCLUDING WITHOUT LIMITATION ANY IMPLIED WARRANTIES OF MERCHANTABILITY, FITNESS FOR A PARTICULAR PURPOSE OR NON-INFRINGEMENT OF THIRD PARTY INTELLECTUAL PROPERTY RIGHTS.

These resources are intended for skilled developers designing with TI products. You are solely responsible for (1) selecting the appropriate TI products for your application, (2) designing, validating and testing your application, and (3) ensuring your application meets applicable standards, and any other safety, security, regulatory or other requirements.

These resources are subject to change without notice. TI grants you permission to use these resources only for development of an application that uses the TI products described in the resource. Other reproduction and display of these resources is prohibited. No license is granted to any other TI intellectual property right or to any third party intellectual property right. TI disclaims responsibility for, and you will fully indemnify TI and its representatives against, any claims, damages, costs, losses, and liabilities arising out of your use of these resources.

TI's products are provided subject to [TI's Terms of Sale](#) or other applicable terms available either on [ti.com](https://www.ti.com) or provided in conjunction with such TI products. TI's provision of these resources does not expand or otherwise alter TI's applicable warranties or warranty disclaimers for TI products.

TI objects to and rejects any additional or different terms you may have proposed.

Mailing Address: Texas Instruments, Post Office Box 655303, Dallas, Texas 75265  
Copyright © 2023, Texas Instruments Incorporated