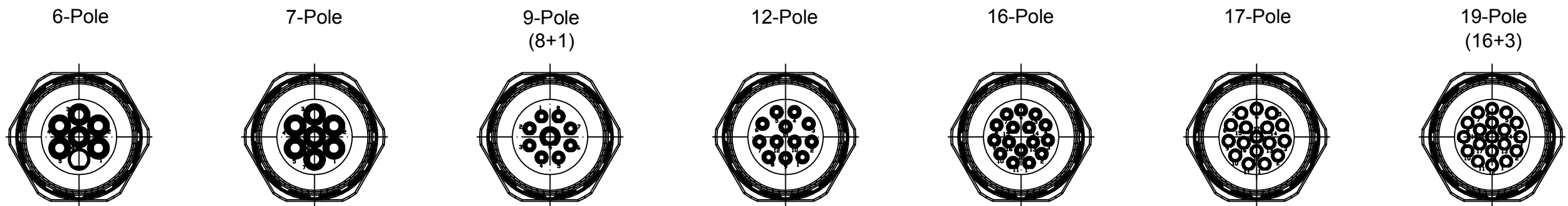
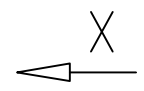
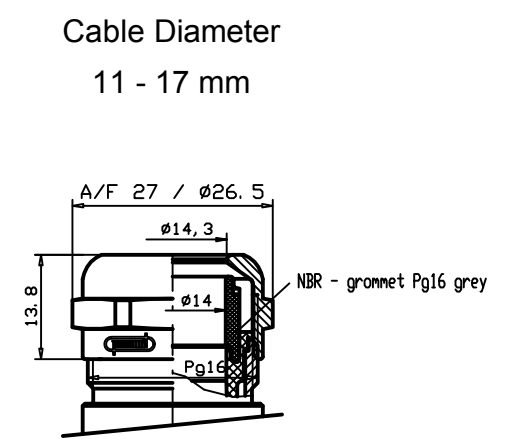
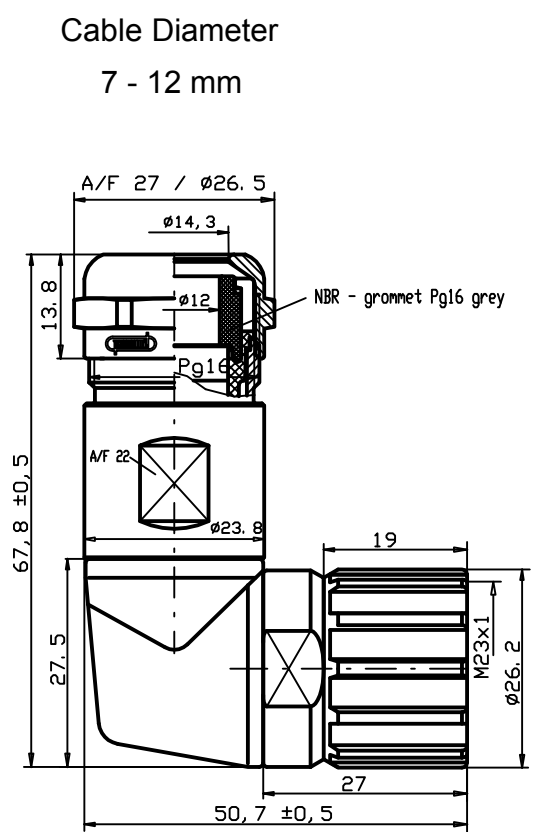


Views from "X" rotated



	Cable Diameter	Solder Contacts	Crimp Contacts	Without Contacts
6 Pole	3 - 7mm	-	-	-
	7 - 12mm	KAS6S01-555 1202300064	KAS6S01-405 1202300066	KAS6S01-005 1202300068
	11 - 17mm	KAS6S01-559 1202300065	KAS6S01-409 1202300067	KAS6S01-009 1202300069
	Crimp range*		0,75-2,5mm ²	
7 Pole	3 - 7mm	-	-	-
	7 - 12mm	KAS7S01-555 1202300070	KAS7S01-405 1202300072	KAS7S01-005 1202300074
	11 - 17mm	KAS7S01-559 1202300071	KAS7S01-409 1202300073	KAS7S01-009 1202300075
	Crimp range*		0,75-2,5mm ²	
9 Pole (8+1)	3 - 7mm	-	-	-
	7 - 12mm	KAS9S01-555 1202300076	KAS9S01-425 1202300078	KAS9S01-005 1202300080
	11 - 17mm	KAS9S01-559 1202300077	KAS9S01-429 1202300079	KAS9S01-009 1202300081
	Crimp range*		0,34-1,0mm ² /0,75-2,5mm ²	
12 Pole	3 - 7mm	-	-	-
	7 - 12mm	KASCS01-555 1202300082	KASCS01-025 1202300084	KASCS01-005 1202300086
	11 - 17mm	KASCS01-559 1202300083	KASCS01-029 1202300085	KASCS01-009 1202300087
	Crimp range*		0,34-1,0mm ²	
16 Pole	3 - 7mm	-	-	-
	7 - 12mm	KASHS01-555 1202300088	KASHS01-025 1202300090	KASHS01-005 1202300092
	11 - 17mm	KASHS01-559 1202300089	KASHS01-029 1202300091	KASHS01-009 1202300093
	Crimp range*		0,34-1,0mm ²	
17 Pole	3 - 7mm	-	-	-
	7 - 12mm	KASJS01-555 1202300094	KASJS01-025 1202300096	KASJS01-005 1202300098
	11 - 17mm	KASJS01-559 1202300095	KASJS01-029 1202300097	KASJS01-009 1202300099
	Crimp range*		0,34-1,0mm ²	
19 Pole (16+3)	3 - 7mm	-	-	-
	7 - 12mm	KASLS01-555 1202300100	KASLS01-225 1202300102	KASLS01-005 1202300104
	11 - 17mm	KASLS01-559 1202300101	KASLS01-229 1202300103	KASLS01-009 1202300105
	Crimp range*		0,34-1,0mm ² /0,56-1,0mm ²	



Notes:
Tolerances (unless specified): DIN ISO 2768 m

*Crimp range only applies to "Crimp Contacts" version

DESCRIPTION EC NO.: WEU2009-0135 DRWN.: BBRAUCH 2008/11/12 CHKD.: APPR.: JKOLB 2009/03/02	QUALITY SYMBOLS ▽ = 0 ▽C = 0	GENERAL TOLERANCES (UNLESS SPECIFIED)		DIMENSION STYLE	SCALE	DESIGN UNITS	FIRST ANGLE PROJECTION	
		mm	INCH	MM	---	METRIC		
		4 PLACES ±----	±----	DRAWN BY	DATE	M23 FA CABLE CONNECTOR FEMALE 90 DEG		
		3 PLACES ±----	±----	BB	2008/11/12			
		2 PLACES ±0.05	±----	CHECKED BY	DATE	MOLEX INCORPORATED		
1 PLACE ±0.1	±----	JKO	2008/12/09					
DRAFT WHERE APPLICABLE MUST REMAIN WITHIN DIMENSIONS		ANGULAR ± --- °		MATERIAL NO.	DOCUMENT NO.	SHEET NO.		
1		see table		SD-120230-002		1 OF 1		
THIS DRAWING CONTAINS INFORMATION THAT IS PROPRIETARY TO MOLEX INCORPORATED AND SHOULD NOT BE USED WITHOUT WRITTEN PERMISSION								