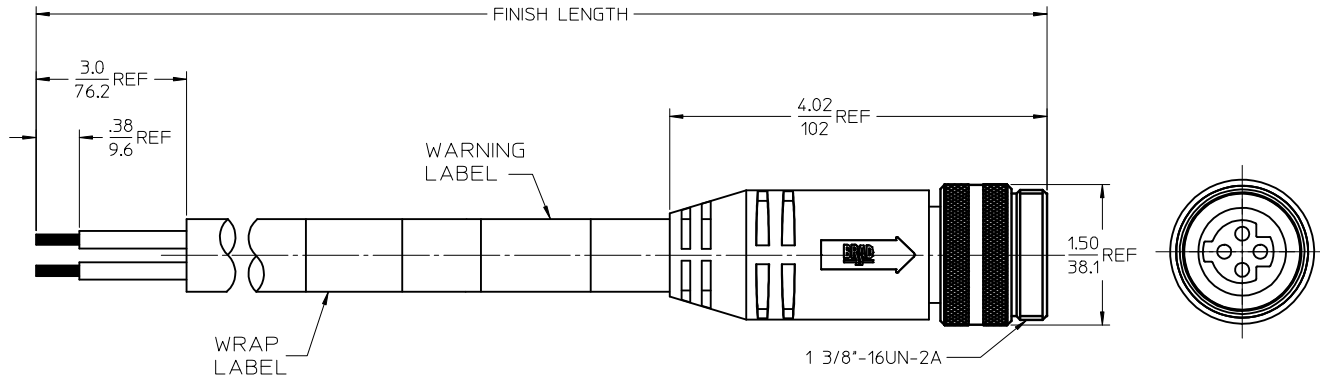
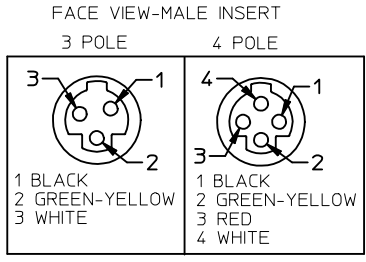


POLES	MATERIAL NO.	ENG. NO.	AMPS	LENGTH
3	1300630200	C03106A48M020	32	2M +89-0MM (6'7"+3.50-0)
4	1300630012	C04106A48M020	32	2M +89-0MM (6'7"+3.50-0)



SPECS:
 OVERMOLD: GRAY PVC W/BLACK STRIP
 INSERT: BLACK PVC
 COUPLING NUT: ANODIZED ALUMINUM
 CABLE: #10AWG GRAY PVC
 DUAL RATED UL TC/OPEN WIRING & ST00W
 ELECTRICAL: 600V AC/DC

REV	DESCRIPTION
B	UPDATED PROFILE EC NO: IPG2014-1160 DRAWN:GGUSTAFSON 2013/12/26 CHKD:VOU 2014/01/15 APPR:RWOODMAN 2014/05/12

QUALITY SYMBOLS
=0 =0

GENERAL TOLERANCES (UNLESS SPECIFIED)	
	INCH
4 PLACES	± .005
3 PLACES	± .005
2 PLACES	± .010
1 PLACE	± .020
ANGULAR ±1/2°	

DIMENSION STYLE	SCALE	DESIGN UNITS	THIRD ANGLE PROJECTION
IN/MM		INCH	
DRAWN BY	DATE	TITLE	
B. RUPERT	01/12/2010	QUICK CHANGE MALE STRAIGHT ALT KEY 3 & 4 POLE PORTABLES	
CHECKED BY	DATE	MOLEX INCORPORATED	
B. WOODMAN	01/12/2010		
APPROVED BY	DATE	DOCUMENT NO.	
JFMURPHY	2010/01/15	SD-130063-200	
MATERIAL NO.	SEE CHART	SHEET NO.	
		1 OF 1	

THIS DRAWING CONTAINS INFORMATION THAT IS PROPRIETARY TO MOLEX INCORPORATED AND SHOULD NOT BE USED WITHOUT WRITTEN PERMISSION