

Ratings

Voltage: 300 V
 Temperature: -25 to 80 °C
 Flammability: VW-1

Conductor

Conductor count: 7
 Gauge: 22 AWG 0.34 mm²
 Material: tinned copper strands
 Strand size: Ø 0.16 mm x 17

Insulator

Material: PVC
 Color: orange, green, blue, yellow, white, black, red
 Diameter: Ø 1.35 ± 0.10 mm
 Nominal thickness: 0.38 mm

Drain

Stranding: Ø 0.16 mm x 17, 22 AWG

Shield

Type: foil + braided
 Material: aluminum mylar, tinned copper strands
 Stranding: Ø 0.127 mm
 Coverage: 80% minimum

Outer jacket

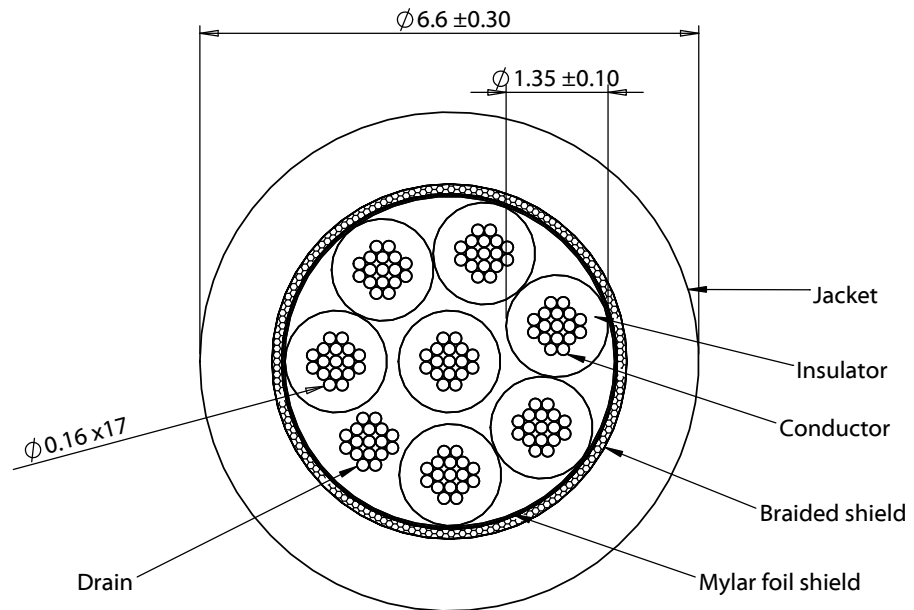
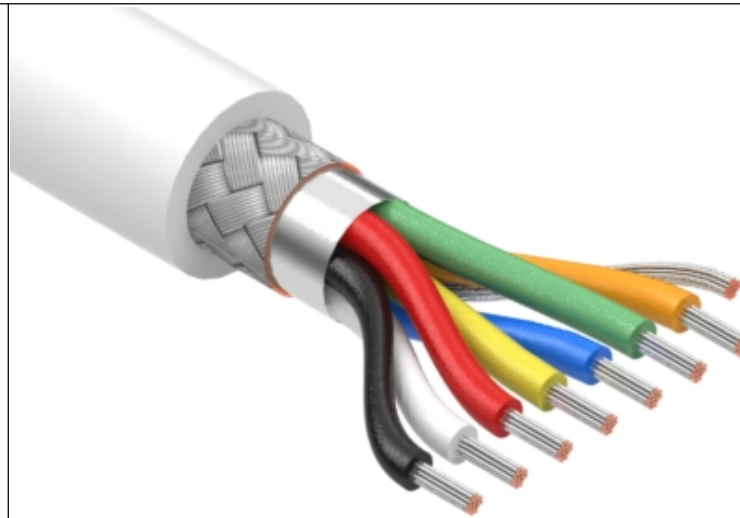
Material: PVC, 80A
 Color: white
 Diameter: Ø 6.6 ± 0.30 mm
 Nominal thickness: 0.8 mm

Wire marking: E339579 UL AWM STYLE 2464 22 AWG 80°C
 300V VW-1 --- cUL AWM I/II A 80°C 300V FT1 TENSILITY

Tests

Voltage test: 300 V
 Spark test: 3.0 kV
 Max resistance at 20 °C: 59.4 ohm/km
 Insulation tensile strength: 2.11 kgf/mm²
 Jacket tensile strength: 1.05 kgf/mm²
 After aging at 113 ± 2 °C for 7 days:
 Minimum tensile strength 70 % original
 Minimum elongation 65 % original
 Heat shock: 121 ± 1 °C / 1 hour, no observed degradation
 Deformation: 121 ± 1 °C / 1 hour, ≤ 50 %
 Cold bend: -10 ± 2 °C / 1 hour, no observed cracking
 Dielectric test: 2000 Vac for 1 minute without breakdown

Use: Internal wiring or external interconnection of electronic equipment.



Revision:	Date:	Description:
A	04/05/2018	Initial release

Prepared: **RS**
Digitally signed by RS
 Date: 2018.04.11
 17:09:47 -07'00'

Verified: **AW**
Digitally signed by AW
 Date: 2018.04.17
 12:22:15 -07'00'

Dimensions are in millimeters.
 Tolerances:
 X: ± 0.5 mm
 X.X: ± 0.3 mm
 X.XX: ± 0.05 mm

Notes:
 RoHS and REACH compliant

Function test: no open, no short circuit, no intermittent

Description:
 Wire, 7C TS, 22 AWG, UL2464, 300V, 80C, 6.6 mm, shielded, VW-1, PVC, white

TENSILITY

tel 1.541.323.3228 800 877.670.7118
 fax 1.541.323.4202 web tensility.com

Size: A	Part number: 30-01066
Scale: 10:1	Sheet 1 of 1