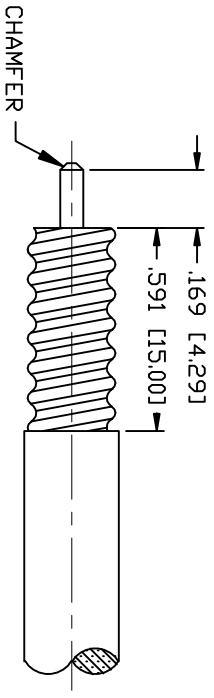
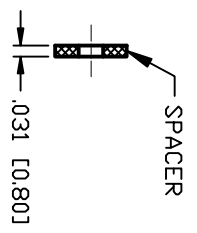
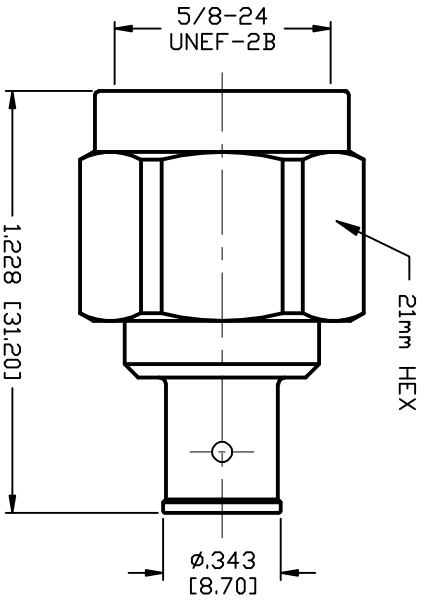


PART NO.

RFN-NMDCP-HPL

REV	DESCRIPTION	DWN	DATE	APPROVED
—	ENGINEERING RELEASE	CZS	10/15/20	JDM



SPECIFICATIONS:

INTERFACE: IEC 61169-16
 IMPEDANCE: 50 Ohms
 FREQUENCY RANGE: 0-6 GHz
 INSERTION LOSS: -0.1 dB MAX
 RL MEASURED ON: SPB-250-LLPP X2 CONNECTORS
 RL: 31 dB DC-700 MHz
 RL: 24 dB 700-3000 MHz
 RL: 25 dB 3000-5000 MHz
 RL: 22 dB 5000-6000 MHz
 3rd ORDER IM: <-155 dBc @ 700 MHz & 1900 MHz
 3rd ORDER IM TEST METHOD: 2x43 dBm CARRIERS
 ENVIRONMENTAL: IP68 MATED
 TEMPERATURE RANGE: -55°C TO 90°C
 MATING TORQUE: 5 Nm
 MATING CYCLES: >500
 NET WEIGHT: 0.085 lb
 COMPLIANCE: RoHS

USED ON: SPP-250-LLPP, SPO-250, SCF14-50J, SPF-250,
 FSJ1-50A, SCF14-50U, PTS1-50-P, TFT-401, EC1-50-HF

#	DESCRIPTION	QTY	MATERIAL	FINISH
1	BODY	1	BRASS	CuSnZn ALLOY
2	PIN	1	PHOSPHOR BRONZE	SILVER
3	INSULATOR	1	PTFE	NATURAL
4	SPACER	1	PTFE	NATURAL
5	GASKET	1	SILICONE RUBBER	RED
6	RETAINING RING	1	BRASS	CuSnZn ALLOY
7	COUPLING NUT	1	BRASS	CuSnZn ALLOY

CUSTOMER OUTLINE DRAWING
 ALL DIMENSIONS ARE IN INCHES
 AND [MILLIMETERS]
 UNLESS OTHERWISE SPECIFIED:
 DIMENSIONS ARE IN INCHES
 AND [MILLIMETERS]

BRN	C. ZUNIGA	10/15/20
CHKD	C. ZUNIGA	10/15/20

PROPRIETARY AND CONFIDENTIAL
 THIS DRAWING CONTAINS
 INFORMATION PROPRIETARY TO
 RF INDUSTRIES. ANY
 UNAUTHORIZED USE OF THIS
 DRAWING IS EXPRESSLY
 PROHIBITED WITHOUT WRITTEN
 PERMISSION FROM RF
 INDUSTRIES. ANY VIOLATION IS
 PUNISHABLE UNDER U.S.
 COPYRIGHT LAWS.

RF Industries
 DIVISION OF RF INDUSTRIES, LTD. (858) 549-6345 FAX

7610 MIRAMAR RD.
 SAN DIEGO, CA 92126
 (858) 549-6340

N MALE
 CAPTIVATED PIN, DIRECT SOLDER

SCALE:	NTS	ENGINEERING ID:	2000055	SHEET	1	OF	1
SIZE	CABLE GROUP	DWG NO.	RFN-NMDCP-HPL	REVISION	—		
A	HPL						