



KISSLING ROTARY SWITCH

Series DS - from TE Connectivity (TE)

Controlling a wide range of applications

Our rotary switch is available in a 1-pole and 2-pole version with change-over function. These switch types are suited for various mounting conditions to meet your individual requirements.

The rotary switch itself is available in various colors and is characterized by its IP6K9K sealing rating, as well as its high shock and vibration resistance. It is highly suitable for performance under demanding environmental conditions.

Features

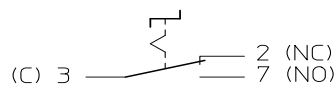
- 1- and 2-pole configurations
- Momentary and maintained movement designs
- Central thread & flange mounting options
- DIN connector, solder pins, or flying lead electrical connection options
- Various lever colors available

Applications

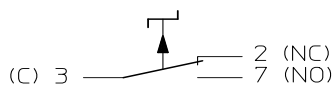
- Plant and industrial engineering
- Commercial vehicles
- Construction vehicles
- Suitable as start/stop switch
- Control panel switch
- With remote control function

Circuits

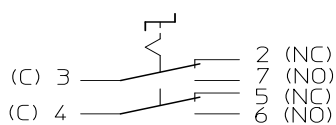
Change-over 1-pole, maintained



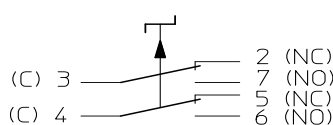
Change-over 1-pole, momentary



Change-over 2-pole, maintained



Change over 2-pole, momentary



KISSLING ROTARY SWITCH

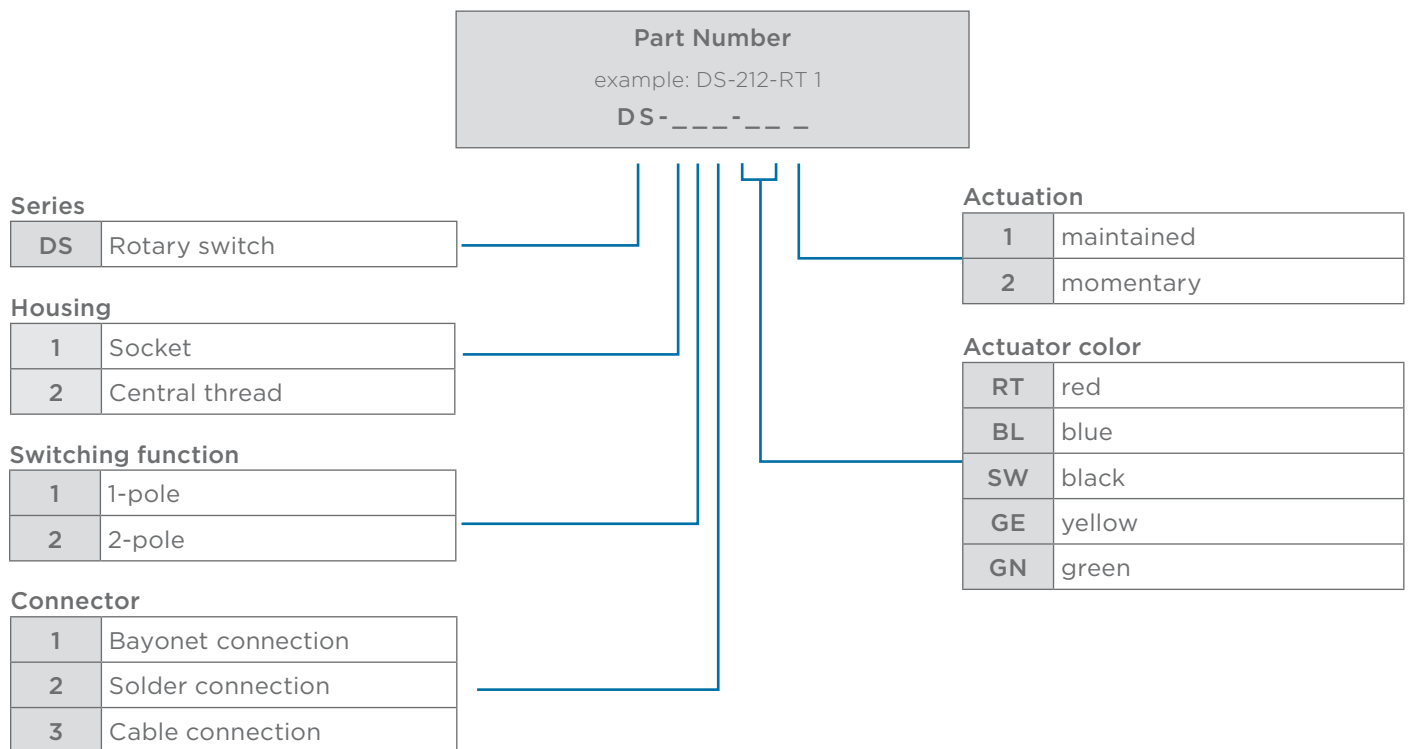
Series DS

Specification

Technical Data

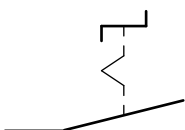
Temperature range	-40°C to +90°C
Thread sizes / Torque	M30 = max. 6Nm M6 = max. 7Nm
Latching function	40°
Momentary function	30°
Operating force	max. 45Ncm
Mechanical life	100.000 cycles
Frequency	max. 100/min
Voltage range	9VDC - 32VDC
Resistive load	10mA - 5A

Ordering Information

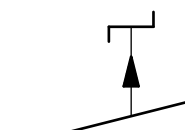


Actuation

maintained



momentary

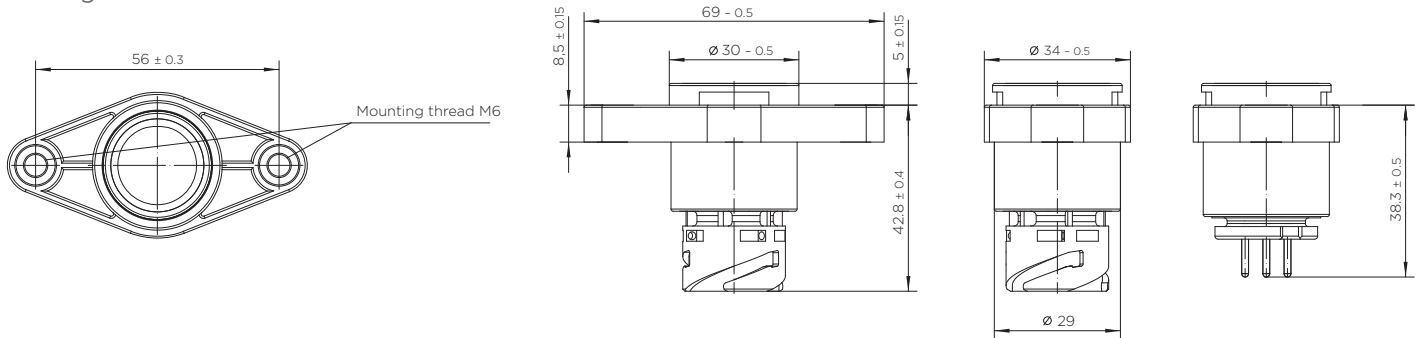


KISSLING ROTARY SWITCH

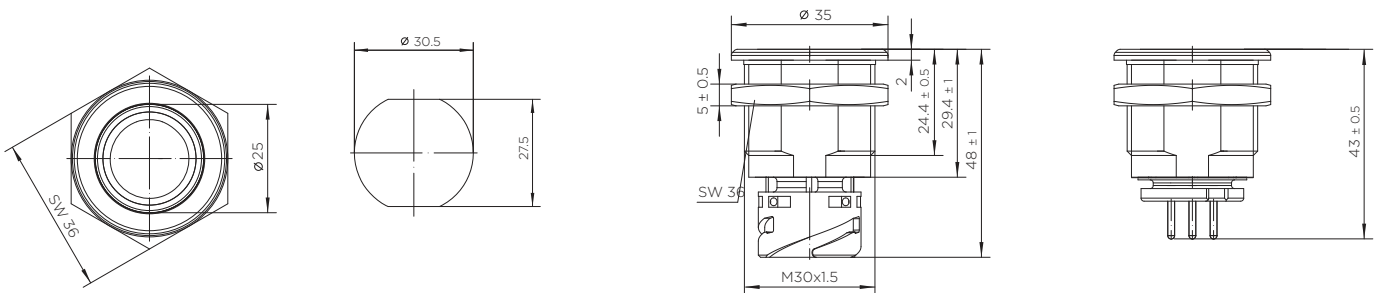
Series DS

Technical drawings

Housing Socket



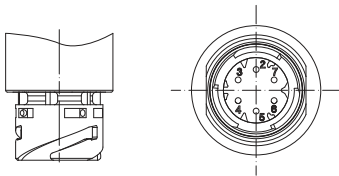
Socket Central Thread



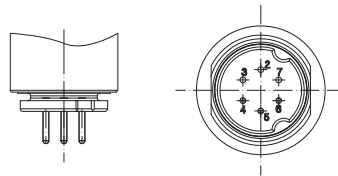
Connector

Bayonet connection

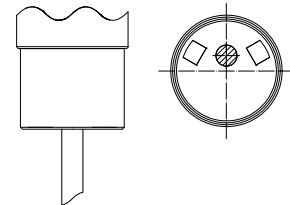
DIN 72585/ ISO 15170-A1-2.1-Ag/K1



Solder connection



Cable connection



te.com

TE Connectivity, TE, TE connectivity (logo) and KISSLING (word) are trademarks owned or licensed by the TE Connectivity family of companies. All other logos, products and/or company names referred to herein might be trademarks of their respective owners.

The information given herein, including drawings, illustrations and schematics which are intended for illustration purposes only, is believed to be reliable. However, TE Connectivity makes no warranties as to its accuracy or completeness and disclaims any liability in connection with its use. TE Connectivity's obligations shall only be as set forth in TE Connectivity's Standard Terms and Conditions of Sale for this product and in no case will TE Connectivity be liable for any incidental, indirect or consequential damages arising out of the sale, resale, use or misuse of the product. Users of TE Connectivity products should make their own evaluation to determine the suitability of each such product for the specific application.

© 2020 TE Connectivity | All Rights Reserved.

K1166724 | Version 08/2020