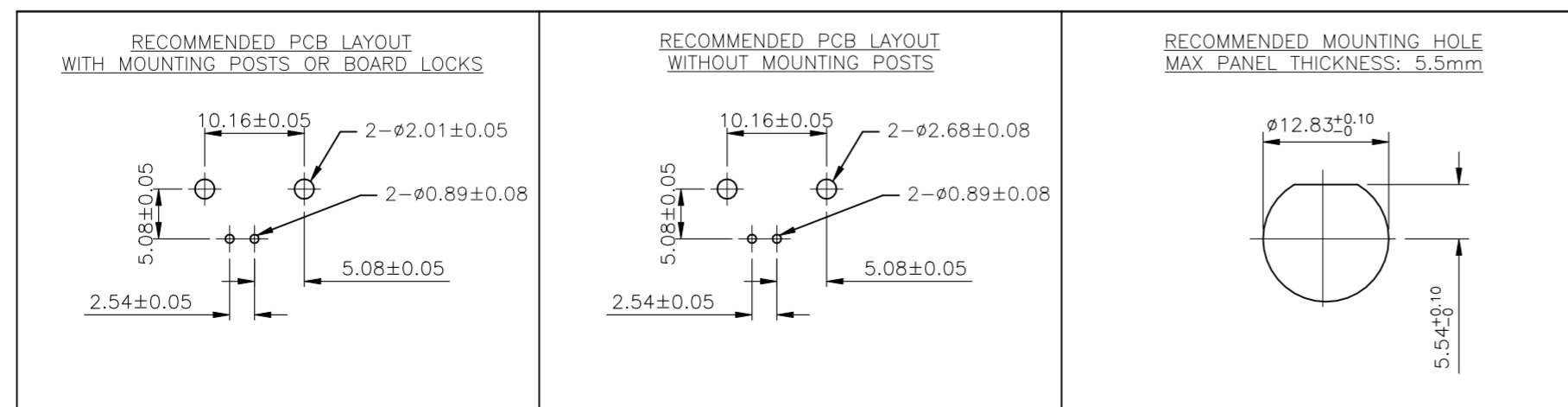
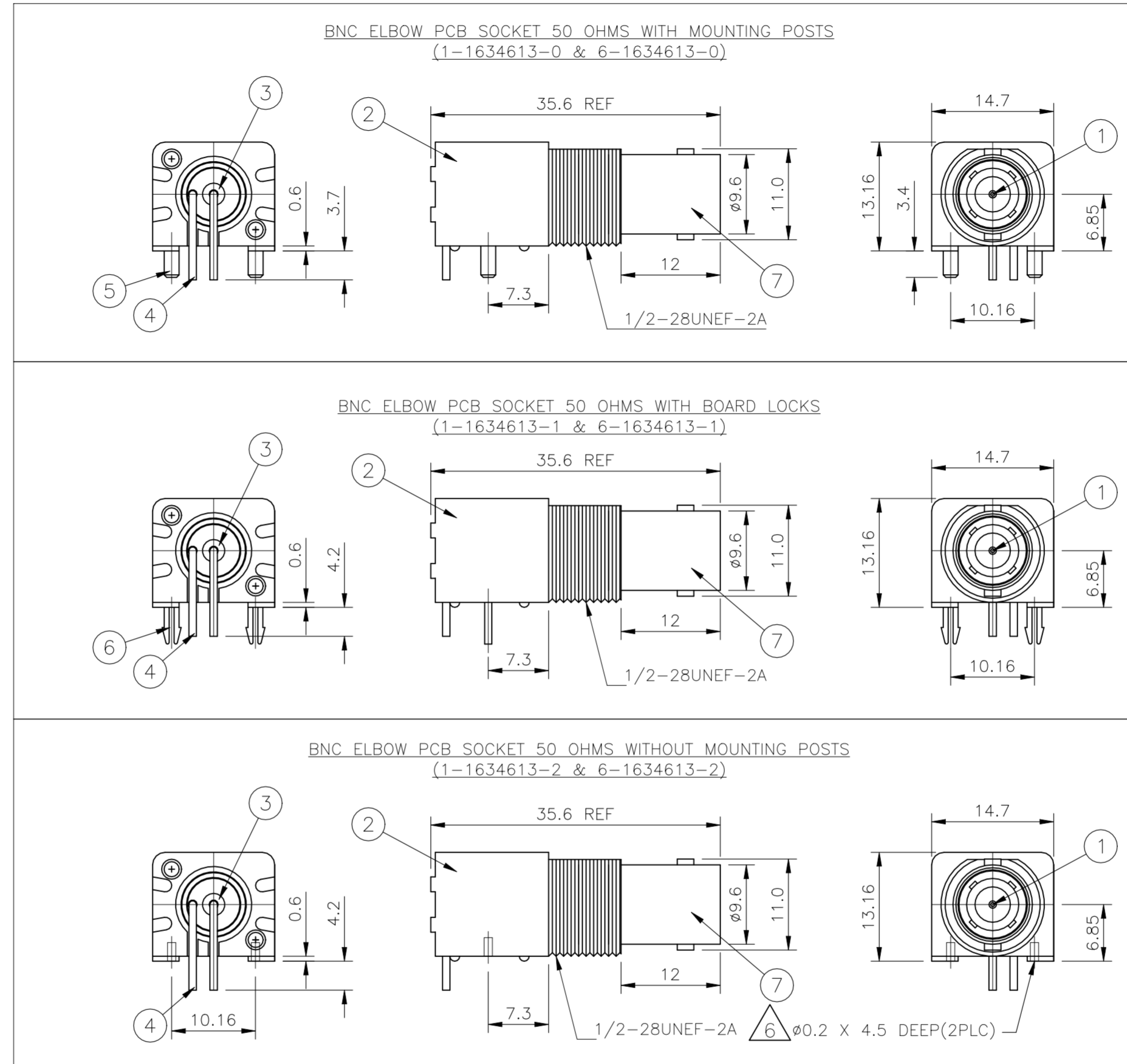


REVISIONS					
P	LTR	DESCRIPTION	DATE	DWN	APVD
E1		REVISED PER ECN-21-112955	17AUG2021	RZ	WK

NOTES:

- 1. SINGLE PACK IN ACCORDANCE WITH AMP SPEC 107-3275
- 2. 50 TRAY PACK IN ACCORDANCE WITH AMP SPEC 107-3275
- 3. Au PLATING OVER Ni PLATING OVER Cu PLATING
- 4. Ni PLATING OVER Cu PLATING
- 5. TIN PLATING
- 6. RECOMMENDED SELF-TAPPING SCREW 221108-4
- 7. RECOMMENDED MOUNT NUT 1-1634816-0
- 8. RECOMMENDED LOCKWASHER 1-1634817-0
- 9. FOR TECHNICAL DATA REFER TO YOUR LOCAL TE CONNECTIVITY SALES OFFICE
- 10. ALL DIMENSIONS ARE NOMINAL FOR REFERENCE ONLY UNLESS OTHERWISE STATED



		Obsolete	Obsolete	Obsolete	Obsolete				
1	1	1	1	1	1	ZINC DIECAST	△	BODY	7
-	-	-	-	-	-	BRASS	△	BOARD LOCK	6
-	-	-	-	2	2	BRASS	△	MOUNTING POST	5
1	1	1	1	1	1	BRASS	△	SOLDER TAIL	4
1	1	1	1	1	1	PE-606		INSULATOR	3
1	1	1	1	1	1	PBT BLACK		HOUSING	2
1	1	1	1	1	1	BRASS	△	CONTACT	1
6--2	1--2	6--1	1--1	6--0	1--0	MATERIAL		DESCRIPTION	ITEM
△	△	△	△	△	△	QUANTITY PER ASSY			PARTS LIST

THIS DRAWING IS A CONTROLLED DOCUMENT.

DWN	RITA ZUO	14 Feb 09
CHK	ANSON MA	14 Feb 09
APVD	BOB ZHAO	14 Feb 09
PRODUCT SPEC	108-112000	
APPLICATION SPEC		

**TE** TE Connectivity

BNC LOW PROFILE R/A INSULATED PCB SOCKET  
50 OHM BLACK

SIZE	A2	CAGE CODE	00779	DRAWING NO	C=1634613	RESTRICTED TO	-
WEIGHT	0.000000	SCALE	NTS	SHEET	1 OF 1	REV	E1

CUSTOMER DRAWING