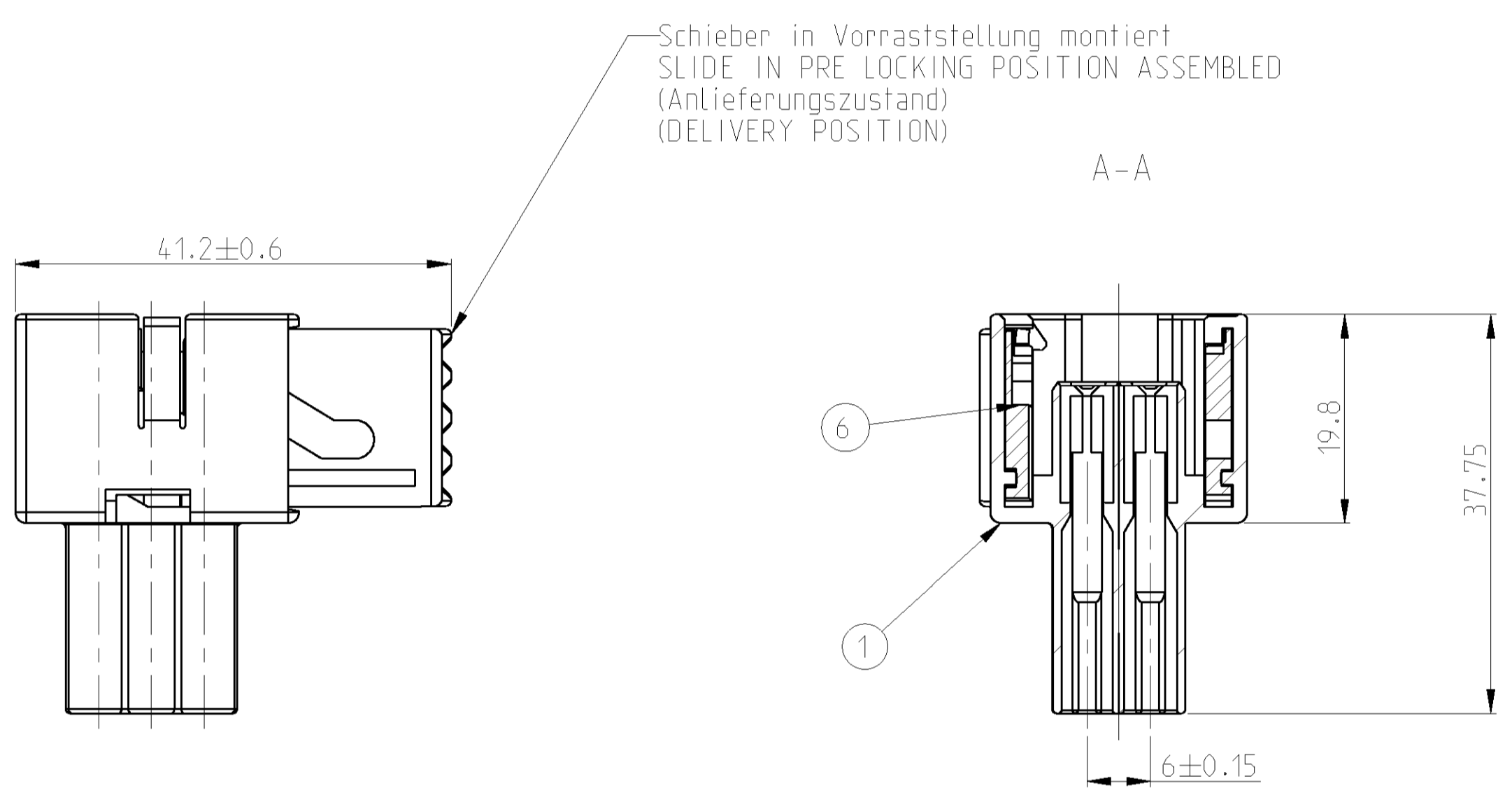
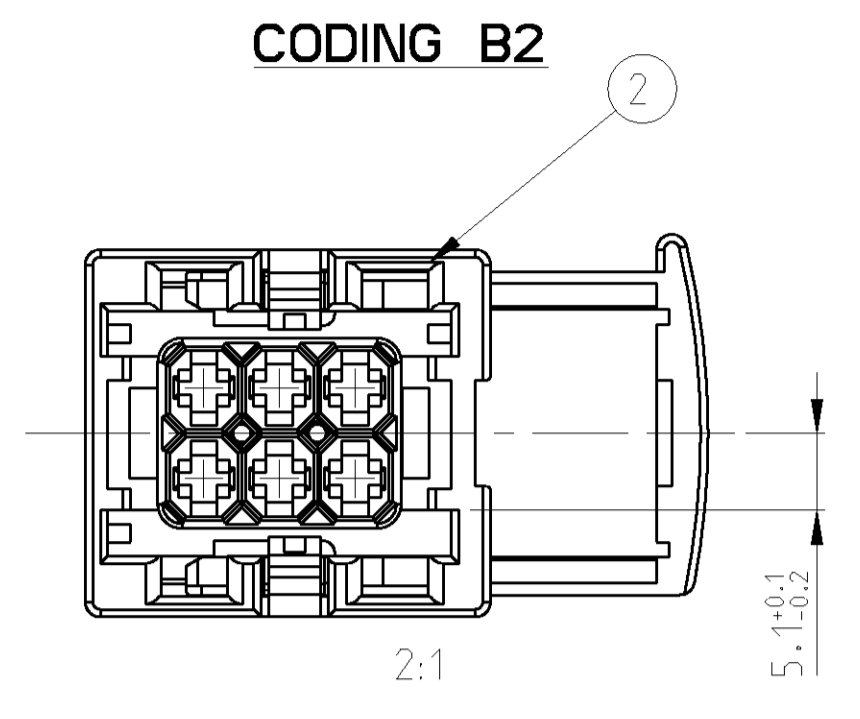
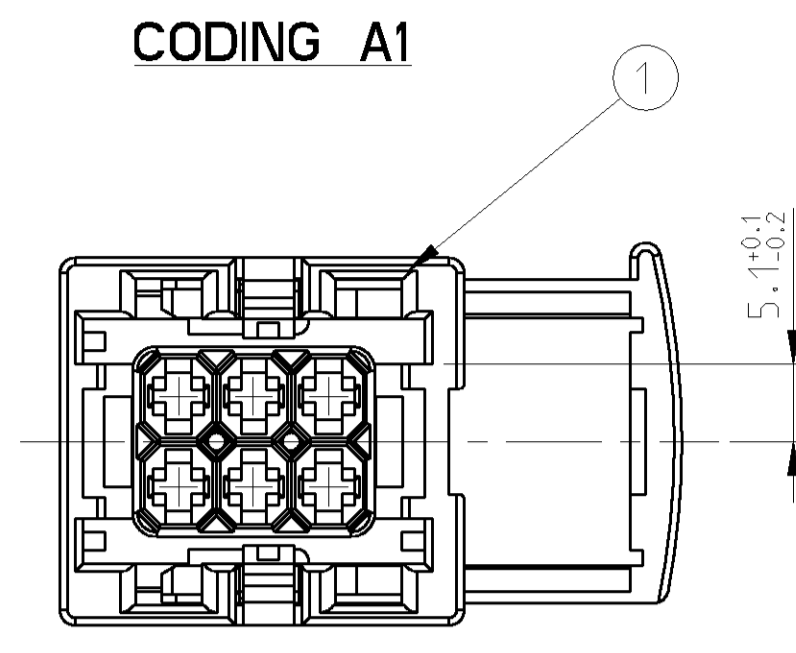
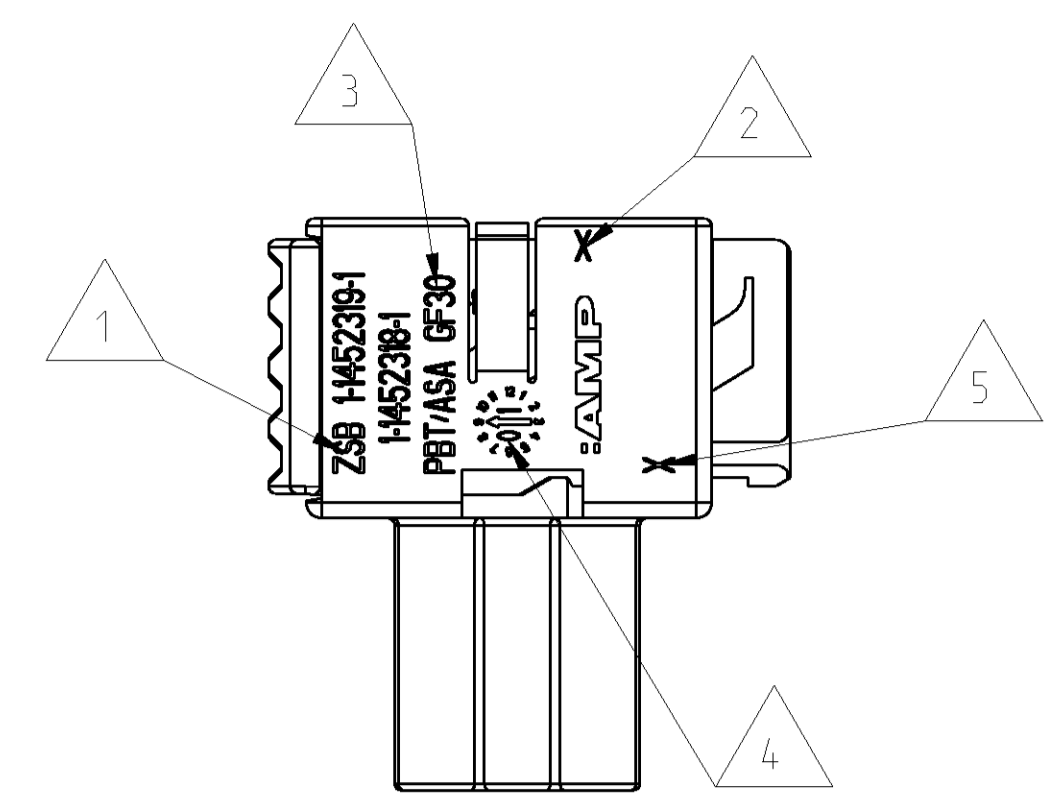
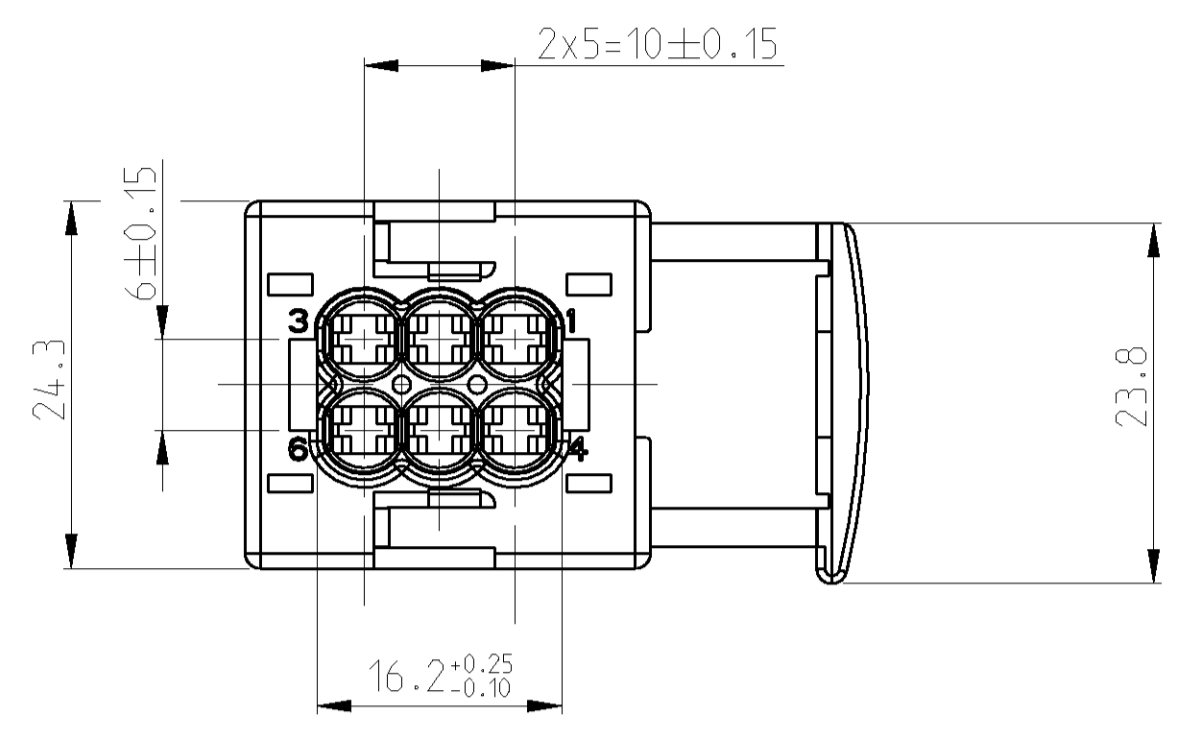
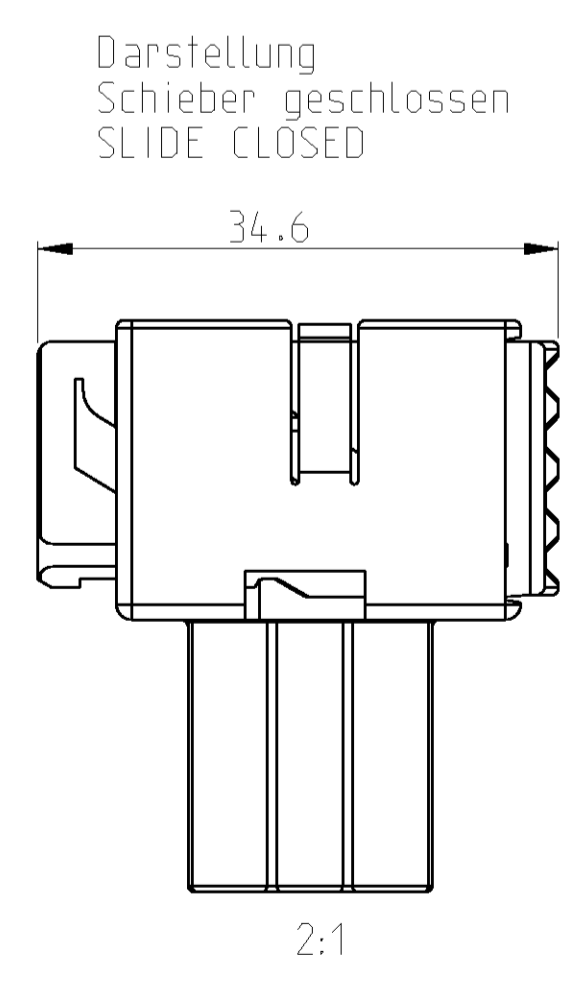
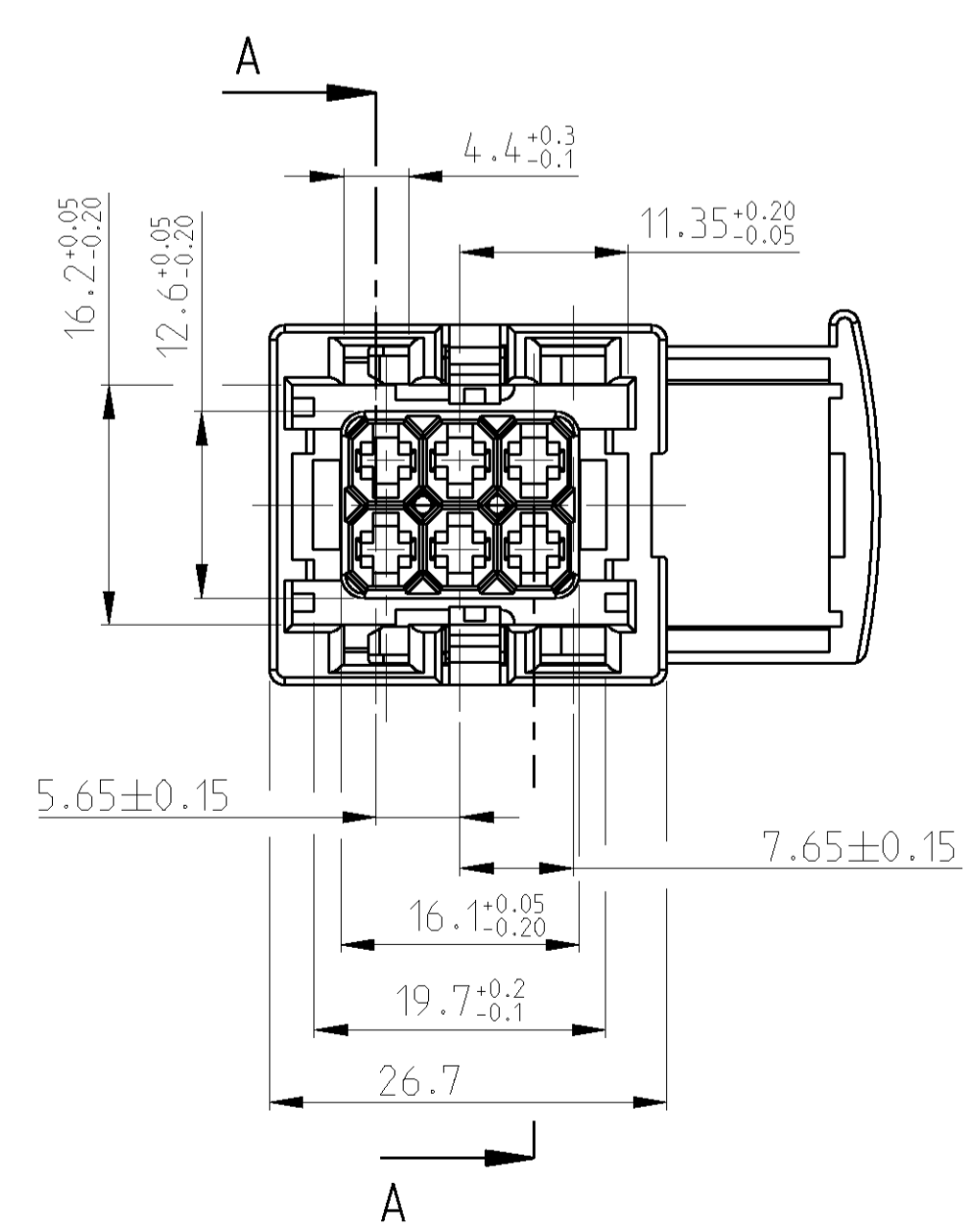


1-1452319-1 wie gezeichnet
as shown



Schieber in Vorraststellung montiert
SLIDE IN PRE LOCKING POSITION ASSEMBLED
(Anlieferungszustand)
(DELIVERY POSITION)



- NOTES
BEMERKUNGEN
- 1 ORDER NUMBER
BESTELL-NUMMER
 - 2 REVISION NUMBER
WERKZEUGÄNDERUNGSINDEX
 - 3 MATERIAL MARKING
WERKSTOFFKENNZEICHNUNG
 - 4 PRODUCTION DATE
PRODUKTIONSdatum
 - 5 CAVITY MARKING
NESTMARKIERUNG

LOC	DIST	F	LTR	REVISIONS ÄNDERUNGEN	DATE	DWK	APFD
A1	-	-	-	DESCRIPTION BEZUGSBESCHREIBUNG			
PROJEKT NR.:				A	SEE PCN EG00-3378-01	14NOV2001	PK VB
				B	SEE PCN EG00-3590-01-02	05DEC2001	PK VB
				-	-	-	-
				-	-	-	-

COUNTER PART(COUPLING) TAB HSG..6POS. P/N 962349	Gegenstueck (Kupplung) Tab-Gehaeuse. 6pol. P/N 962349
COUNTER PART (TABHEADER) P/N 963211	Gegenstueck (Messerleiste) P/N 963211
SECONDARY LOCKING DEVICE FOR JPT HSG..6POS. P/N 964713-1	2.Kontaktsicherung fuer JPT-Geh.. 6pol. P/N 964713-1
SEALING P/N 963205-1	Dichtung P/N 963205-1

	JUNIOR POWER TIMER	929 939-1	929 940-1	0.5-1.0	CuFe2	PRE TIN PLATED	FLR INSULATION	828 904-1
	JUNIOR POWER TIMER	929 937-1	929 938-1	1.5-2.5	CuFe2	PRE TIN PLATED	FLR INSULATION	828 905-1
	CONTACTS	AMP ORDER NO. STRIP FORM	AMP ORDER NO. LOOSE PIECE	WIRE RANGE MM	MATERIAL FINISH			SEAL

AMP PART NO.	REV.	PCS.	MATERIAL	SURFACE COLOUR	DESCRIPTION	ITEM NO.
2-1452319-1	B	1	PBT-ASA GF30	rot	Schieber	6
		1	PBT-ASA GF30	grau	JPT-Gehaeuse 6pol.	2
1-1452319-1	B	1	PBT-ASA GF30	rot	Schieber	6
		1	PBT-ASA GF30	schwarz	JPT-Gehaeuse 6pol.	1

THIS DRAWING IS THE PROPERTY OF AMP INCORPORATED. IT IS TO BE USED ONLY FOR THE PURPOSES AND IN THE QUANTITIES SPECIFIED THEREON. ANY REPRODUCTION OR TRANSMISSION OF THIS DRAWING WITHOUT THE WRITTEN PERMISSION OF AMP INCORPORATED IS STRICTLY PROHIBITED. AMP INCORPORATED, ALL RIGHTS RESERVED. DATE: 1990.05.01		DWG P. Knoebel	14NOV2001	AMP tyco Electronics AMP GmbH D - 64625 Bensheim
DIMENSIONS: MASSENHETEN (mm)		ENG V. Bergmann	14NOV2001	
TOLERANCES: UNLESS OTHERWISE SPECIFIED: ALLE DIMENSIONEN		NAME		JPT HOUSING 6POS.: SEALED JPT Gehaeuse 6pol.: gedichtet
0 PLC ±0.3 1 PLC ±0.3 2 PLC ±0.3 3 PLC ±0.3 4 PLC ±0.3		PRODUCT SPEC PRODUKTSPEZ.		
FINISH: OBERFLAECHE/FARBE		APPLICATION SPEC VERARBEITUNGSPEZ.		
MATERIAL		WEIGHT GEWICHT		RESTRICTED TO NUR FÜR
		CUSTOMER DRAWING /KUNDENZEICHNUNG		SCALE: 2:1 SHEET 1 OF 1 REV B