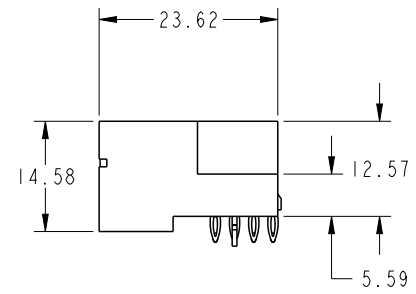
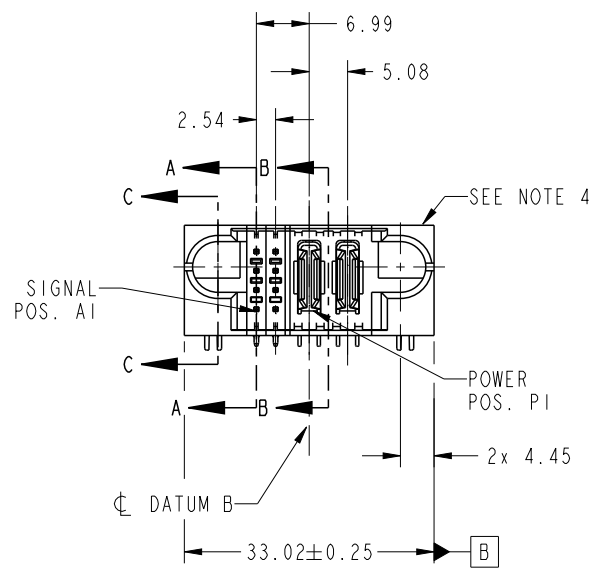


PRODUCT NO.	ROWS	S		GND		POWER		E2
		E1	1	2	P1	P2		
51939-859NSP-- NOTE 3	DCBA							



CODE	DIM "M" MATING LENGTH	CONTACT TYPE
SA	[6.86]	SIGNAL
SB	[6.86]	SIGNAL
SC	[6.86]	SIGNAL
SD	[6.86]	SIGNAL
PX	[N/A]	POWER
HA	[N/A]	HOLD-DOWN



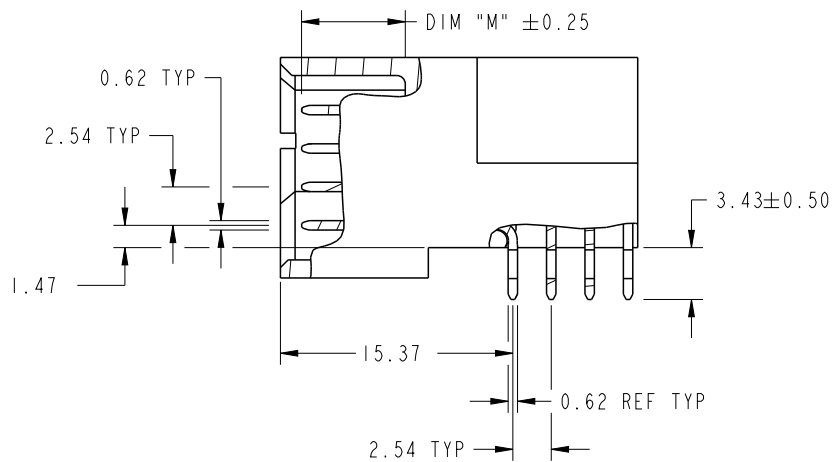
Copyright FCI.

spec ref	*	dr	Ruan MT	2014/04/17	projection	MM	size	A4	scale	1:1
tolerance std	ASME Y14.5	eng	De-Ming Lu	2014/05/04			ecn no	-	rel level	Released
TOLERANCES UNLESS OTHERWISE SPECIFIED		chr	-	-						
surface	linear	appr	Pei-Ming Zheng	2014/05/04	product family	PwrBlade				
ASME Y14.5	0.X	±0.5		title	8S + 2DCP	dwg no	51939-859NSP	rev	A	sheet 1 of 4
	0.XX	±0.25								
0.XXX	±0.1									
angular	0°	±2°	www.fci.com	cat. no.	-	Product - Customer Drw				

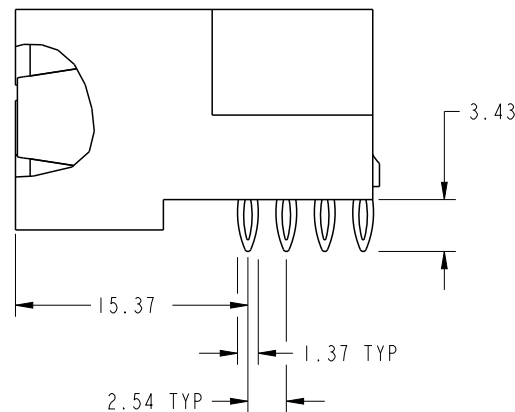
PrdE File - REV C - 2009-06-09

PRODUCT NUMBER

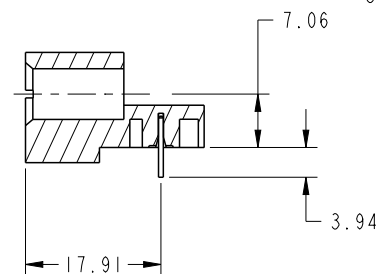
51939-859NSP__
NOTE: 3



BROKEN-OUT SECTION A-A
SCALE 2:1



BROKEN-OUT SECTION B-B
SCALE 2:1

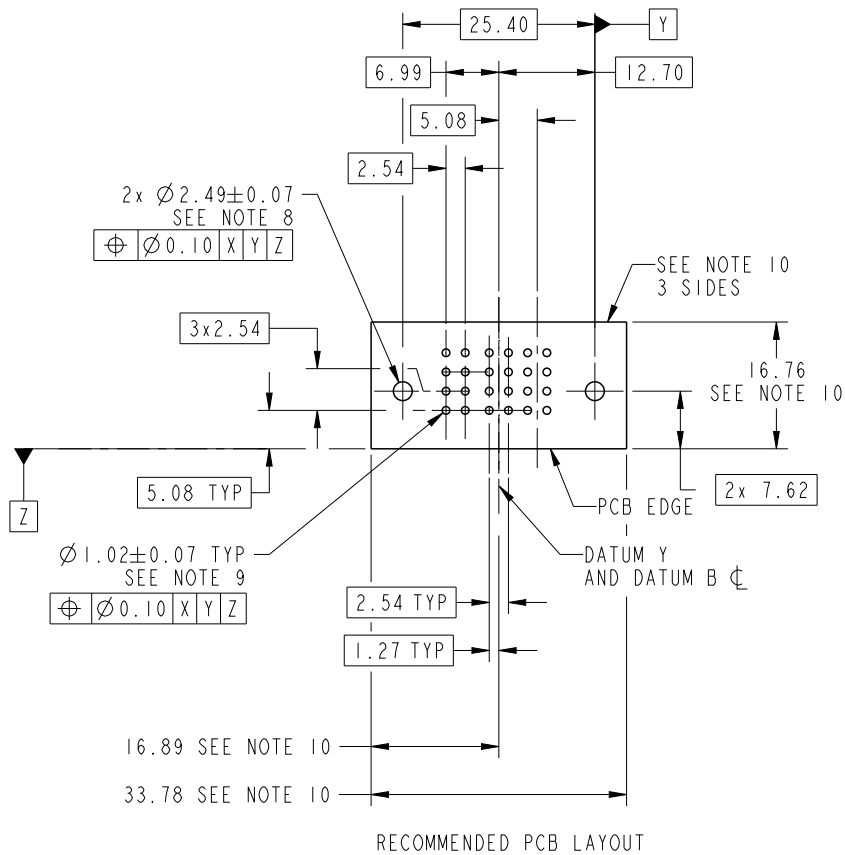


SECTION C-C

dr	Ruan MT	2014/04/17	projection 	MM 	size	A4	scale	1:1
eng	De-Ming Lu	2014/05/04			ecn no	-		
chr	-	-			product family	PwrBlade	rel level	Released
appr	Pei-Ming Zheng	2014/05/04			title 8S + 2DCP RIGHT ANGLE PF HEADER	dwg no 51939-859NSP	rev A	
www.fci.com		cat. no.	-	Product - Customer Drw		sheet 2 of 4		

PRODUCT NUMBER

51939-859NSP__
NOTE: 3



dr	Ruan MT	2014/04/17	projection 	MM 	size	A4	scale	1:1
eng	De-Ming Lu	2014/05/04			ecn no	-		
chr	-	-			rel level	Released		
appr	Pei-Ming Zheng	2014/05/04	product family	PwrBlade	rev	A		
	title	8S + 2DCP RIGHT ANGLE PF HEADER		dwg no	51939-859NSP			
www.fci.com	cat. no.	-	Product - Customer Drw	sheet 3 of 4				

PRODUCT NUMBER

51939-859NSP--
NOTE: 3

NOTES:

1. DIMENSIONS AND TOLERANCES ARE IN ACCORDANCE WITH ASME Y14.5M, 1994 UNLESS OTHERWISE SPECIFIED.

CONNECTOR NOTES:

- 2. HOUSING MATERIAL: UL 94 V-0 GLASS FILLED HIGH-TEMP THERMOPLASTIC
POWER CONTACT MATERIAL: COPPER ALLOY
SIGNAL PIN MATERIAL: COPPER ALLOY
- 3. SEE ITEM 3 & 4 IN PRINT 10064183 FOR PLATING SPEC OF 51939-859NSP AND 51939-859NSPLF RESPECTIVELY.
- 4. MANUFACTURER'S NAME, DATE CODE AND OPTIONAL P/N TO APPEAR ON THIS SURFACE. THE MARK CAN BE OMITTED IF THERE IS NOT ENOUGH SPACE ON THIS SURFACE.
- 5. PRODUCT SPECIFICATION GS-12-149.
APPLICATION SPECIFICATION BUS-20-067.
- 6. PACKAGED IN TRAYS.

PCB NOTES:

- 7. ALL HOLE DIAMETERS ARE FINISHED HOLE SIZE.
- 8. MOUNTING HOLES, WHERE APPLICABLE, ARE UNPLATED.
- 9. $\varnothing 1.151 \pm 0.025$ DRILLED HOLES PLATED WITH
0.008 MIN SnPb OR Sn OVER 0.03
TO 0.08 Cu PLATING TO ACHIEVE
 $\varnothing 1.02 \pm 0.07$ HOLE.
- 10. CONNECTOR KEEP-OUT ZONE.



Copyright FCI.

dr	Ruan MT	2014/04/17	projection 	MM 	size	A4	scale	1:1			
eng	De-Ming Lu	2014/05/04			ecn no	-					
chr	-	-			product family	PwrBlade	rel level	Released			
appr	Pei-Ming Zheng	2014/05/04			title	8S + 2DCP RIGHT ANGLE PF HEADER		dwg no	51939-859NSP	rev	A
www.fci.com		cat. no.	-	Product - Customer Drw			sheet 4 of 4				