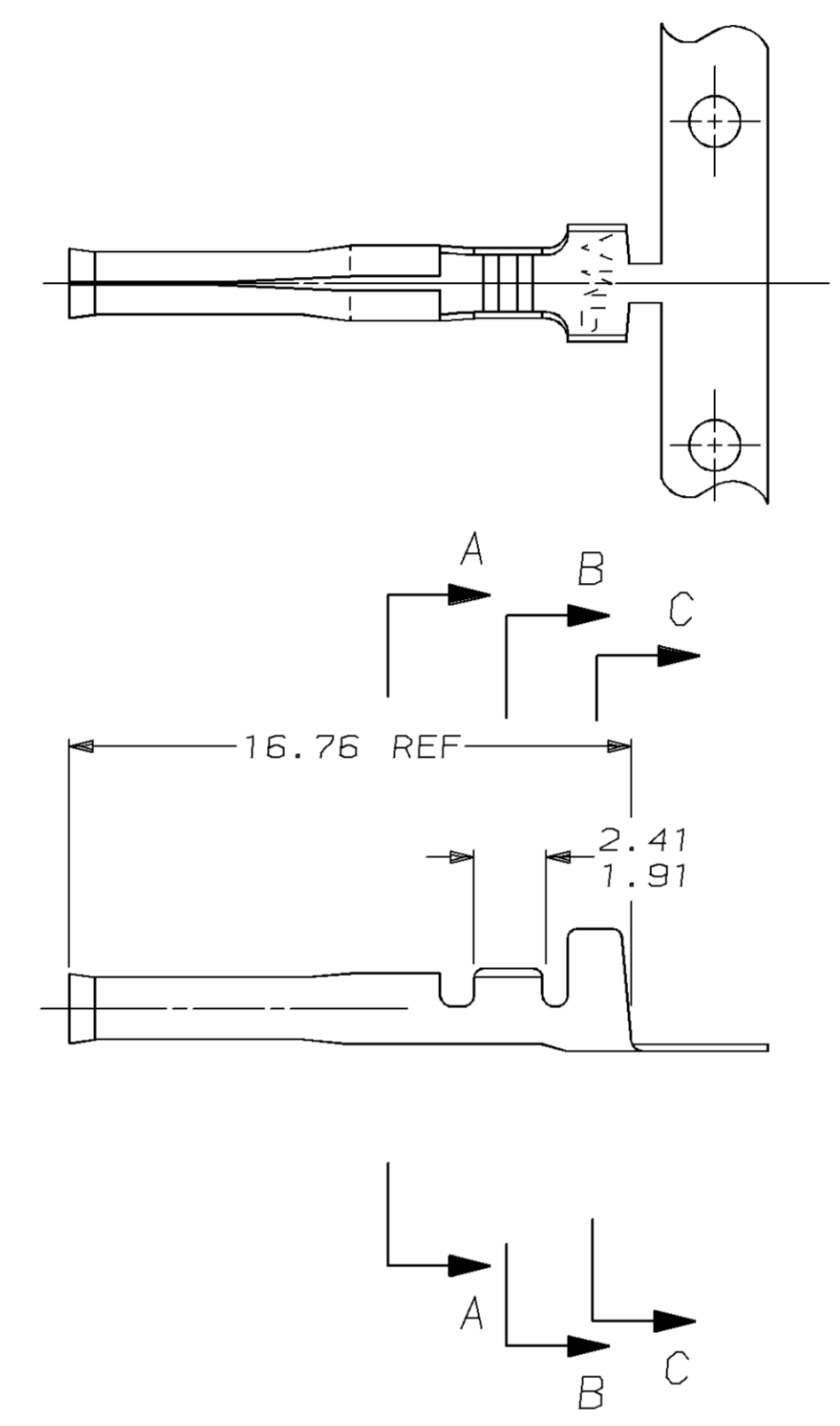
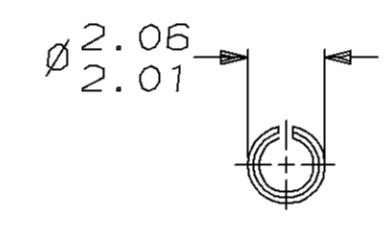
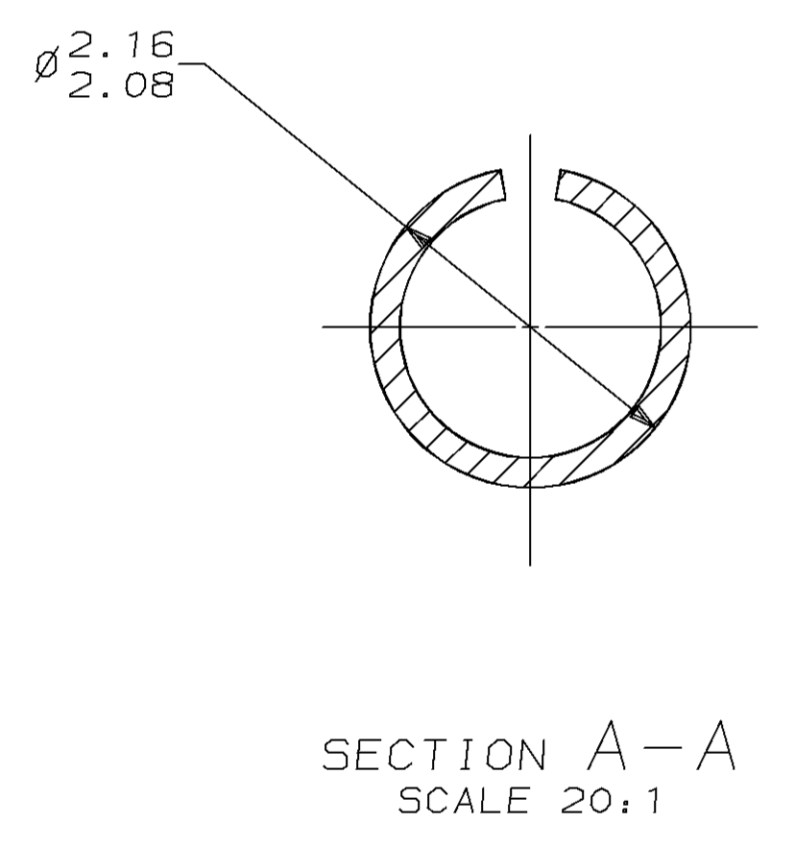
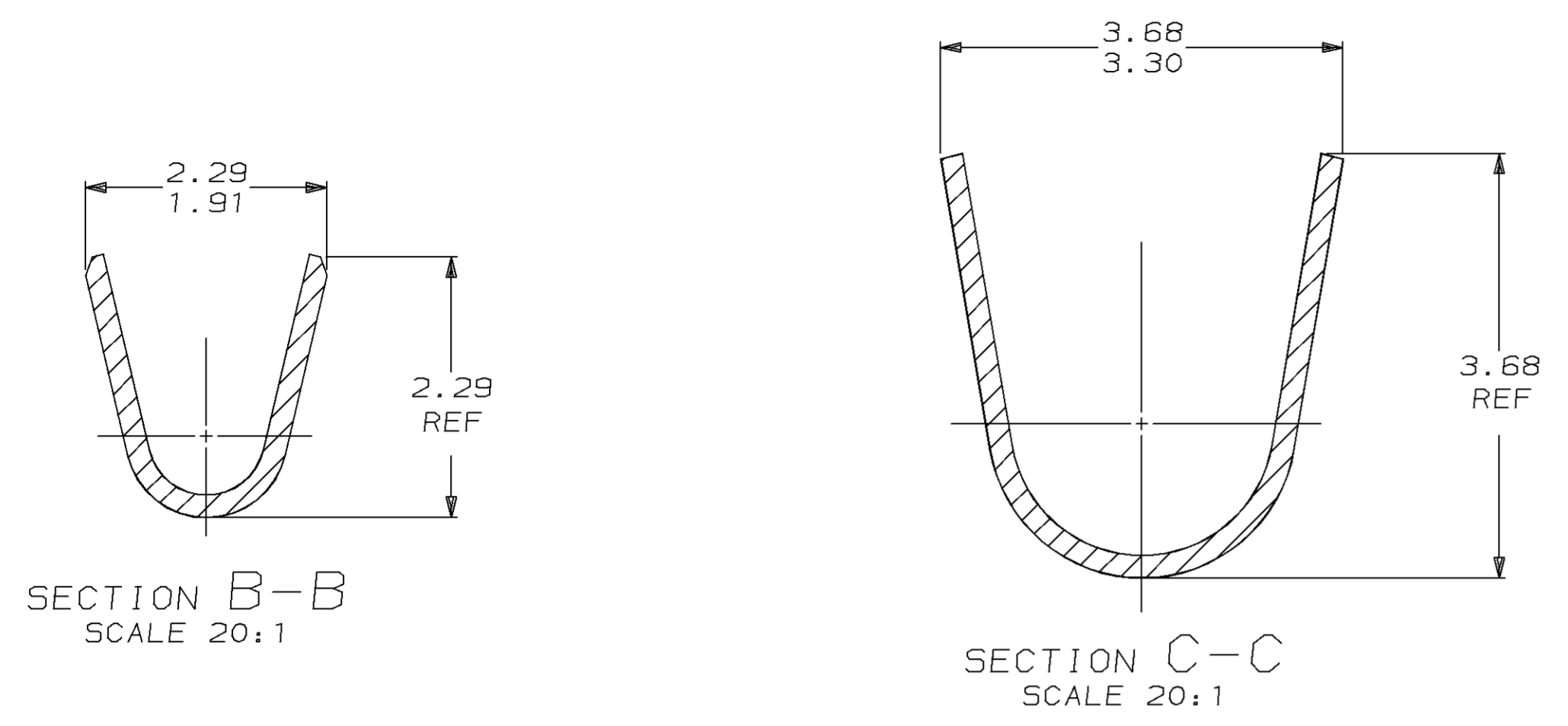


LOC		DIST		P		F		ZONE		LTR		REVISIONS		DATE	APPD	
CM	53												0	RLSD PER PR CM 95-150	12-07-95	BL RS



MM	IN	MM	IN
2.08	.082	-	-
2.06	.081	16.76	.660
2.01	.079	3.68	.145
1.91	.075	3.30	.130
1.27	.050	2.79	.110
0.20	.008	2.41	.095
0.13	.005	2.29	.090
.062	.0024	2.16	.085
MM	IN	MM	IN

CONVERSION TABLE

FINISH	MATERIAL	INSULATION DIAMETER	WIRE RANGE	PART NO
PRE-TIN	0.20 BRASS	1.27-2.79	0.2-0.9mm ² (24-18) AWG	794103-1
DO NOT SCALE PRINT. UNLESS SPECIFIED DIMENSIONS IN mm [INCHES] TOLERANCES ON:		DR 12-07-95 B. LEWIS	AMP INCORPORATED Harrisburg, Pa. 17105	
2 PLC DEC ± -		CHK 12-07-95 R. SWING		
3 PLC DEC ± 0.13 ANGLES ± 0°30'		APPD 12-07-95 C. CASH		
SEE TABLE		APPD 12-07-95 C. CASH	NAME .062 SOCKET, LANCELESS, COMMERCIAL PIN & SOCKET	
SEE TABLE		APPLICATION SPEC	SIZE D	CAGE CODE 00779
		WEIGHT	DRAWING NO 794103	SHEET 1 OF 1

