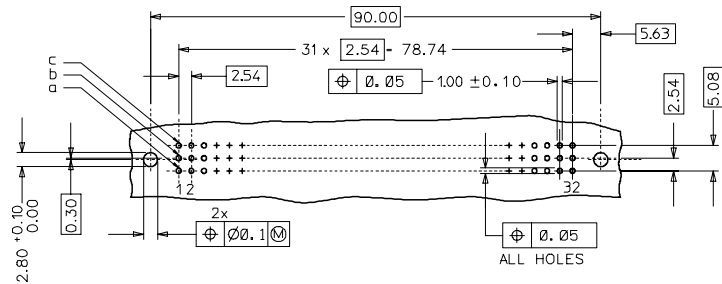
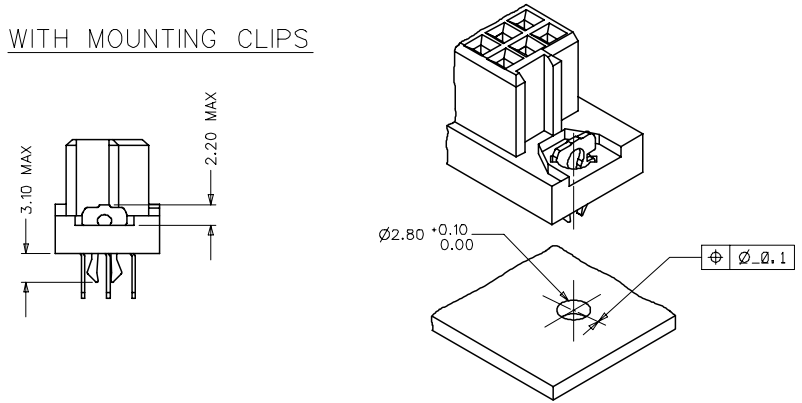


RECOMMENDED PCB LAYOUT  
COMPONENT SIDE



WITH MOUNTING CLIPS



NOTES:

- 1) MATERIALS: THERMOPLASTIC POLYESTER, GLASS FILLED, UL94V-0, COLOUR: PEBBLE GREY RAL 7032  
TERMINAL - PHOSPHOR BRONZE  
MOUNTING CLIP: STEEL
- 2) FINISH: TERMINAL:-  
CONTACT AREA:  
1. PERFORMANCE LEVEL 1: SELECTIVE GOLD (Au), THICKNESS = 1.1 MICROMETER OVER NICKEL, THICKNESS = 1.5 MICROMETER  
2. PERFORMANCE LEVEL 2: SELECTIVE GOLD (Au), THICKNESS = 0.6 MICROMETER OVER NICKEL, THICKNESS = 1.5 MICROMETER  
3. PERFORMANCE LEVEL 3: SELECTIVE GOLD (Au), THICKNESS = 0.3 MICROMETER OVER NICKEL, THICKNESS = 1.5 MICROMETER  
TERMINATION AREA:  
SELECTIVE TIN, THICKNESS = 5 MICROMETER  
OVER NICKEL, THICKNESS = 1.5 MICROMETER OVERALL
- 3) MOUNTING CLIP:-  
TIN (Sn), THICKNESS = 5-10 MICROMETER,  
OVER NICKEL (Ni), THICKNESS = 2.5 MICROMETER
- 4) FOR NON MOUNTING CLIP OPTION, CONNECTOR TO BE SECURED WITH RIVETS: 2 TUBULAR RIVETS 2.5 x 0.3 ... DIN 7340  
SCREWS: 2 CHEESEHEAD SCREWS M2.5 x ... DIN 84 AND 2 HEXAGONAL NUTS M2.5 DIN 934
- 5) MATERIAL No, BATCH CODE, UL AND CSA MARKING TO BE PRINTED ON THE CONNECTOR.
- 6) CUT FACES OF TIP WITHOUT PLATING PERMITTED.
- 7) PRODUCT SPECIFICATION PS:36500-001

RoHS COMPLIANT

<b>ENTER DESCRIPTION</b> ELC.NCL: 12007-0193 DRAWING NO: 2007/01/008 CHKD BY: 2007/01/008 APPR BY: 2007/01/019	<b>QUALITY SYMBOLS</b> ▽=0 ▽=0	<b>GENERAL TOLERANCES (UNLESS SPECIFIED)</b>		<b>DIMENSION STYLE</b> MM ONLY	<b>SCALE</b> 2:1	<b>DESIGN UNITS</b> METRIC	THIRD ANGLE PROJECTION
		4 PLACES ± --- ± --- 3 PLACES ± 0.05 ± --- 2 PLACES ± 0.1 ± --- 1 PLACE ± 0.15 ± ---	mm INCH ± --- ± --- ± --- ± --- ± --- ± ---	<b>DRAWN BY</b> SSUDHIR <b>DATE</b> 2000/09/22	<b>CHECKED BY</b> G.L. <b>DATE</b> 2000/09/22	<b>TITLE</b> ASSEMBLY DIN 41612 C FEMALE 96 POS 1.0MM PCB DIA	<b>MOLEX INCORPORATED</b>
<b>DRAFT WHERE APPLICABLE MUST REMAIN WITHIN DIMENSIONS</b>	<b>SIZE</b> A 1	<b>MATERIAL NO.</b> 85042-0001	<b>DOCUMENT NO.</b> SD-85042-0001	<b>SHEET NO.</b> 1 OF 1	THIS DRAWING CONTAINS INFORMATION THAT IS PROPRIETARY TO MOLEX INCORPORATED AND SHOULD NOT BE USED WITHOUT WRITTEN PERMISSION		





