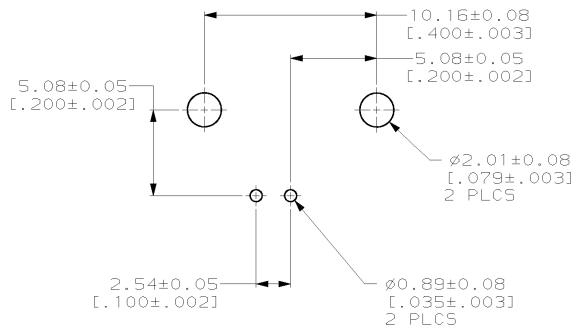
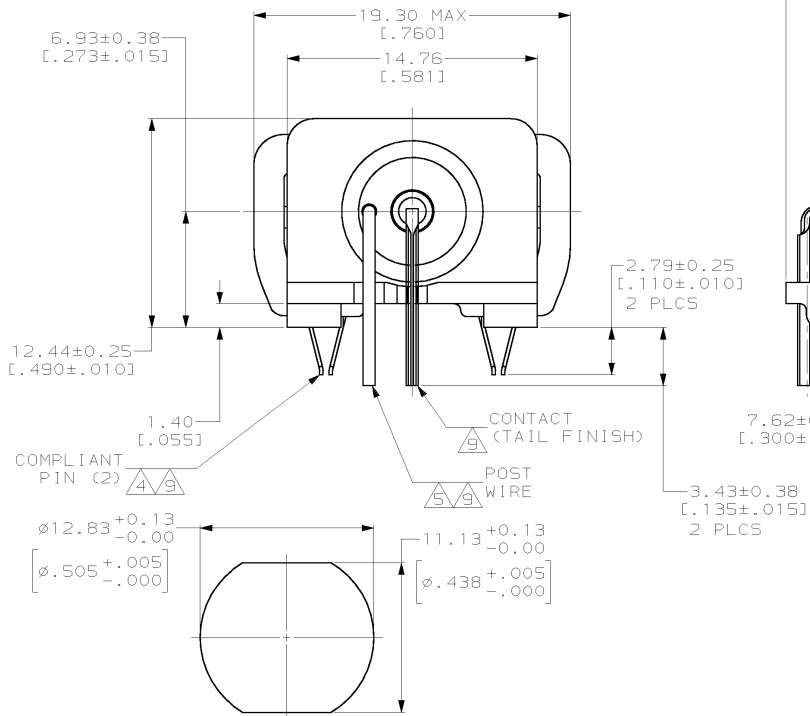


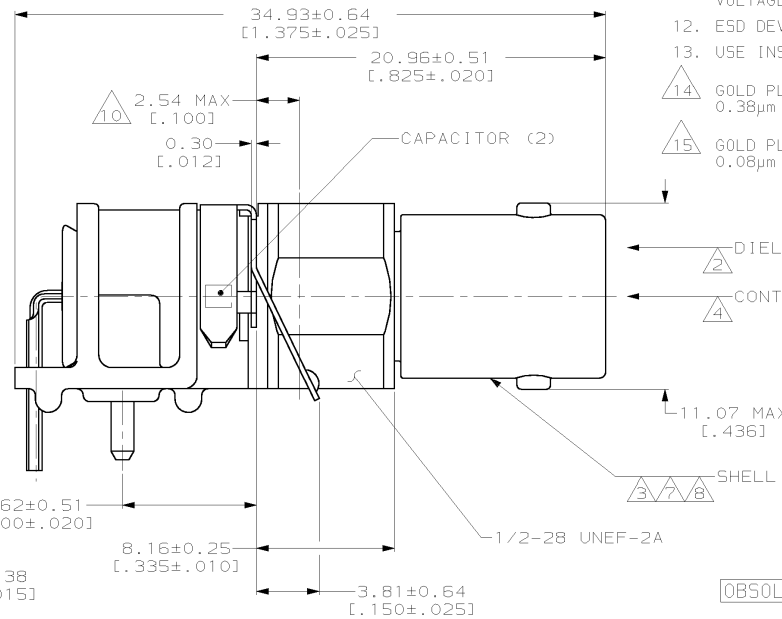
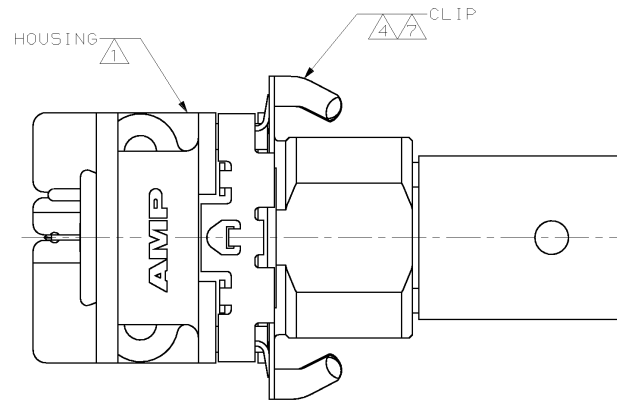
| LOC | DIST | REVISIONS | | | | |
|-----|------|-----------|-------------------------|---------|-----|------|
| | | TR | DESCRIPTION | DATE | OWN | APVD |
| AJ | 16 | D | OBS -3 PER 0020-0072-01 | 16APR01 | MO | TA |



RECOMMENDED PC BOARD LAYOUTS
SCALE 4:1



RECOMMENDED PANEL CUTOUT
SCALE 4:1



- 1 POLYESTER PBT PER MIL-M-24519, TYPE GPT-15F, UL94V-0 RATED, COLOR: BLACK
- 2 POLYMETHYLPENTENE: GENERAL PURPOSE
- 3 ZINC DIE-CAST PER QQ-Z-363
- 4 PHOSPHOR BRONZE PER QQ-B-750
- 5 BRASS PER ASTM-B-453
- 6 GOLD PLATE PER MIL-G-45204, 0.76µm [0.000030] MIN THICKNESS
- 7 NICKEL PLATE PER QQ-N-290, 2.54µm [0.000100] MIN THICKNESS
- 8 CHROMATE PER QQ-P-416
- 9 TIN-LEAD PLATE PER MIL-P-81728A
- 10 RECOMMENDED PANEL MOUNTING
- 11. CAPACITANCE: 9400pF
VOLTAGE: 1500vdc
- 12. ESD DEVICE VOLTAGE BREAKDOWN < 2.5kVdc
- 13. USE INSTRUCTION SHEET 2769
- 14. GOLD PLATE PER MIL-G-45204, 0.38µm [0.000015] MIN THICKNESS
- 15. GOLD PLATE PER MIL-G-45204, 0.08µm [0.000003] MIN THICKNESS

- 1 DIELECTRIC
- 2 CONTACT
- 3 SHELL
- 4 SHELL

| | | |
|-------------------|----|-------------|
| OBSELETE | 16 | 415657-3 |
| | 14 | 415657-2 |
| SUPSD BY 415657-2 | 6 | 415657-1 |
| CONTACT FINISH | | PART NUMBER |

THIS DRAWING IS A CONTROLLED DOCUMENT.

| | | | |
|--------------------------|-------------------|-----------|---------------------------|
| DW: MICHAEL E. COWHER | DESIGNED BY | AMP | AMP Incorporated |
| CHK: MICHAEL J. TOMCHAK | CHECKED BY | | Harrisburg, PA 17105-3608 |
| APVD: MICHAEL J. TOMCHAK | APPROVED BY | | |
| PRODUCT SPEC: 108-1575 | PRODUCT SPEC | | |
| APPLICATION SPEC | APPLICATION SPEC | | |
| MATERIAL: SEE NOTES | FINISH: SEE NOTES | WEIGHT: - | SIZE: A2 |
| | | | CASE CODE: 00779 |
| | | | DRAWING NO: 415657 |
| | | | SCALE: 5:1 |
| | | | SHEET: 1 OF 1 |
| | | | REV: 0 |