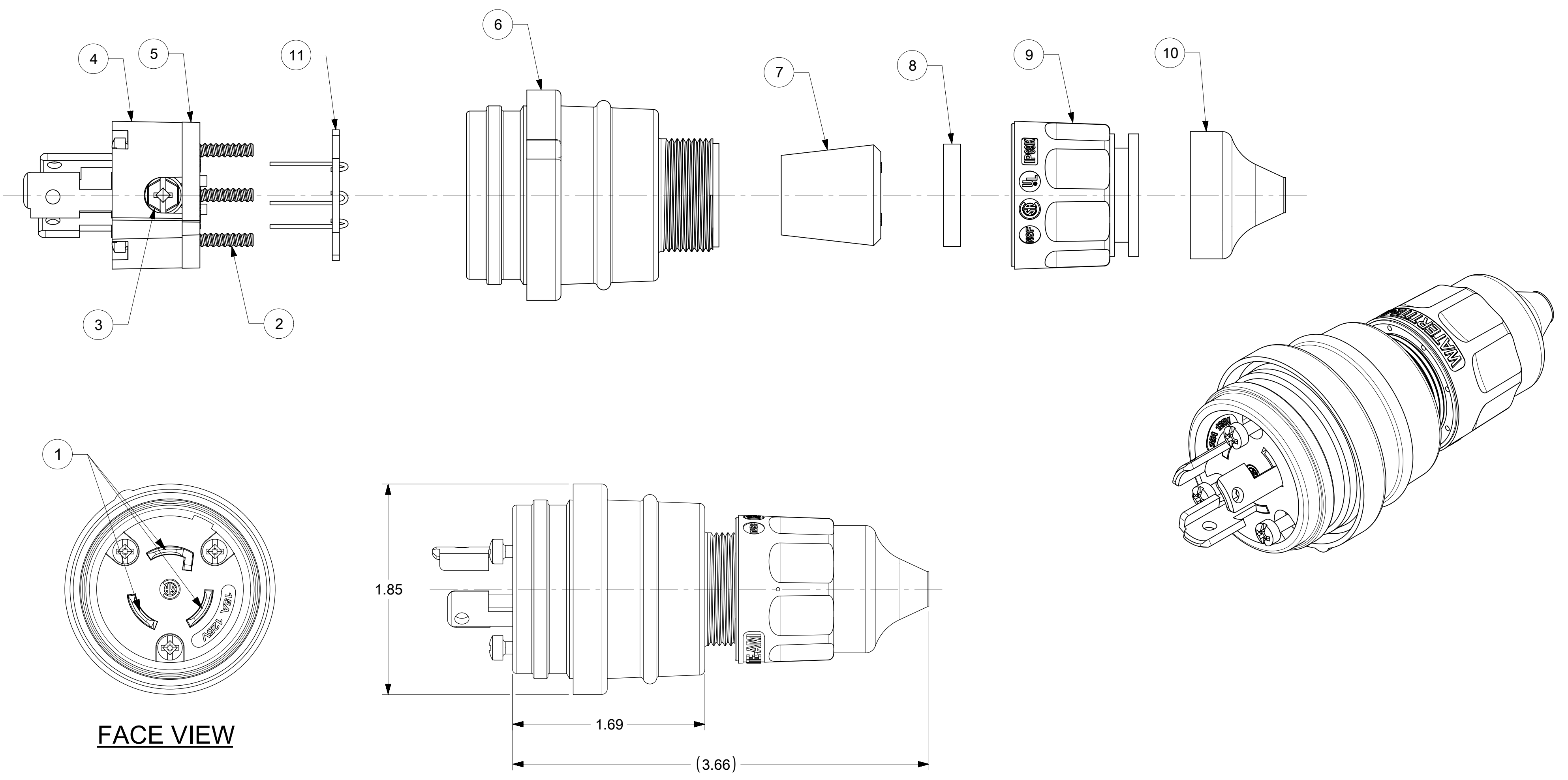


ORDER NO.	WOODHEAD NO.	COLOR
130146-0084	24W47EZ	YELLOW



ITEM NO.	DESCRIPTIONS	MATERIAL	QTY.
1	BLADES	BRASS	3
2	RETAINING SCREWS	STAINLESS STEEL	3
3	TERMINAL SCREWS	BRASS, ZINC PLATED	3
4	INSERT	NYLON	1
5	TERMINAL COVER	POLYCARBONATE	1
6	HOUSING	SILICONE WITH NYLON THREAD	1
7	GROMMETS	RUBBER	5
8	FRICTION RING	NYLON	1
9	COMPRESSION NUT	NYLON	1
10	CABLE GLOVE	SILICONE	1
11	LED CIRCUIT BOARD	FIBERGLASS	1

NOTES:  
 1. SEE INSTRUCTION SHEET NUMBER 1301414770 FOR PRODUCT SPECIFICATION.  
 2. CABLE RANGE FROM 0.375" TO 0.625"

SYMBOLS		THIS DRAWING CONTAINS INFORMATION THAT IS PROPRIETARY TO MOLEX ELECTRONIC TECHNOLOGIES, LLC AND SHOULD NOT BE USED WITHOUT WRITTEN PERMISSION	
▽ = 0	DIMENSION UNITS	SCALE	CURRENT REV DESC: RELEASED
▽ = 0	INCH	NTS	
▽ = 0	GENERAL TOLERANCES (UNLESS SPECIFIED)		
▽ = 0	ANGULAR TOL	± 0.5°	
▽ = 0	4 PLACES	±	EC NO: 612006
▽ = 0	3 PLACES	± 0.005	DRWN: ABABU01 2018/11/26
▽ = 0	2 PLACES	± 0.01	CHK'D: DNGUYEN62 2019/03/14
▽ = 0	1 PLACE	± 0.02	APPR: HKNEELAND 2019/03/15
□ = 0	0 PLACES	±	INITIAL REVISION:
■ = 0	DRAFT WHERE APPLICABLE	THIRD ANGLE PROJECTION	DRWN: ABABU01 2018/11/26
▽ = 0	MUST REMAIN WITHIN DIMENSIONS	DRAWING	APPR: HKNEELAND 2019/03/15
		C-SIZE	SERIES
			130146
DOCUMENT STATUS		P1	RELEASE DATE
2019/03/15		15:53:54	
MATERIAL NUMBER		CUSTOMER	SHEET NUMBER
SEE TABLE		GENERAL MARKET	1 OF 1

**molex**

WATERTITE PLUG, L5-15P

PRODUCT CUSTOMER DRAWING

DOCUMENT NUMBER: 1301460084  
 DOC TYPE: PSD  
 DOC PART: 000  
 REVISION: A