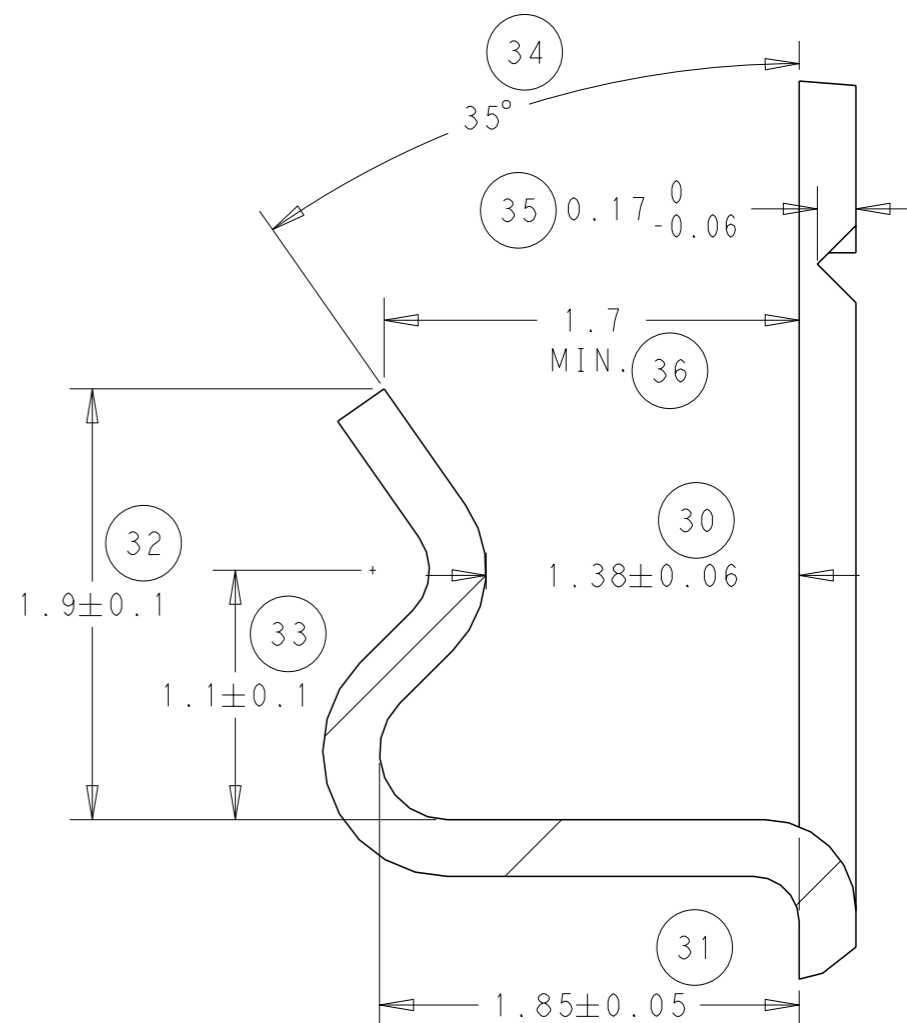
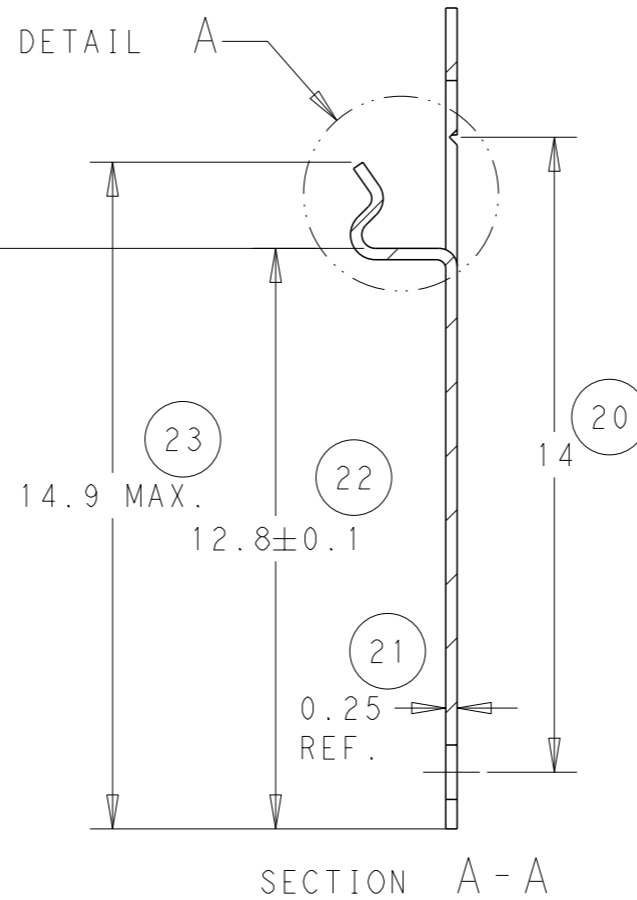
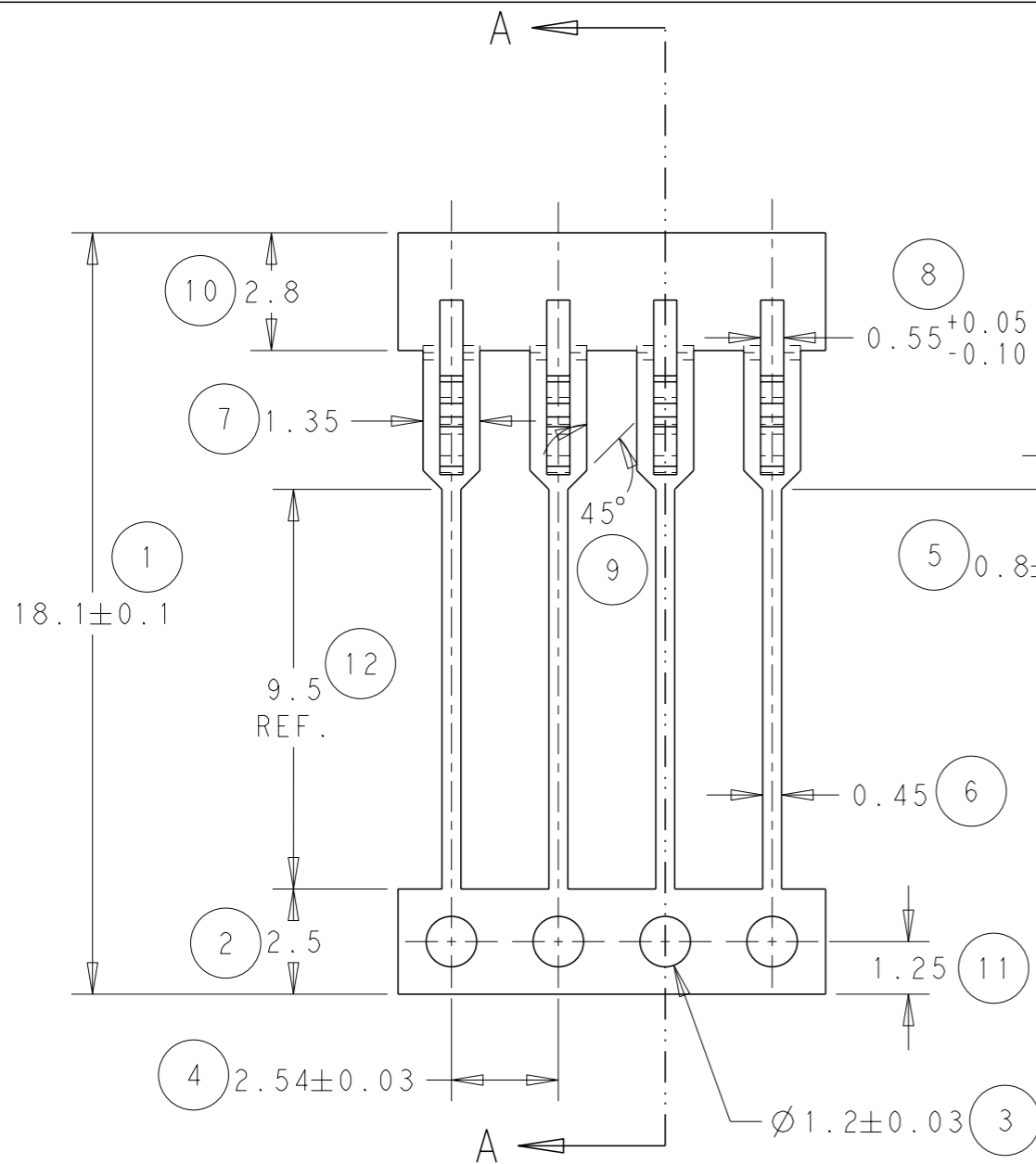
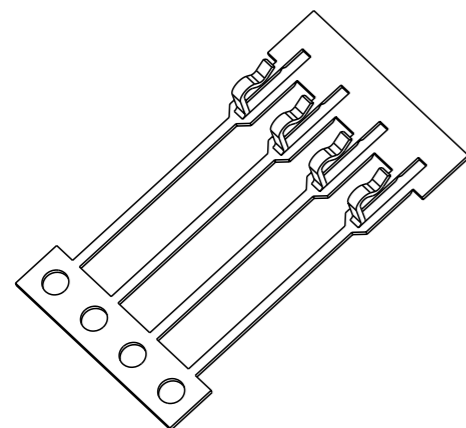


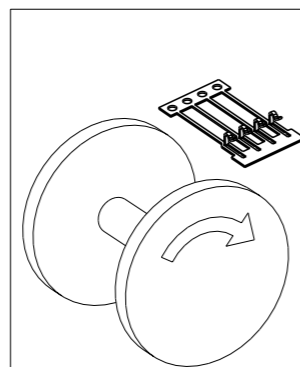
LOC	DIST	REVISIONS				
P	LTR	DESCRIPTION	DATE	DWN	APVD	
B	-	E	ECR-11-019441	22/09/11	JB	MG



NOTE
 BOWING: AFTER UPPER TIE BAR REMOVAL - 1.5mm MAX. FOR 500mm
 PITCH: AFTER UPPER TIE BAR REMOVAL - 2.54 ± 0.127



SCALE 3:1



DIRECTION OF TOP OF REEL

DIRECTION "0"	CONTACTS DOWN
DIRECTION "1"	CONTACTS UPWARDS
DIRECTION	

THIS DRAWING IS A CONTROLLED DOCUMENT.

DIMENSIONS:	TOLERANCES UNLESS OTHERWISE SPECIFIED:
mm	0 PLC ±-
	1 PLC ±-
	2 PLC ±0.05
	3 PLC ±-
	4 PLC ±-
	ANGLES ±0.5
	FINISH -

MATERIAL SEE ABOVE.

DWN	J. BRIGHT	22/09/11
CHK	M. GREENER	22/09/11
APVD	D. PENNINGTON	22/09/11
PRODUCT SPEC	-	-
APPLICATION SPEC	-	-
WEIGHT	-	-

0	Ni & Sn	1544296-1
REELING	FINISH	PART NUMBER



NAME				SIL LEADFRAME	
SIZE	CAGE CODE	DRAWING NO	RESTRICTED TO		
A3	00779	C-1544296	-		
CUSTOMER DRAWING		SCALE	SHEET	OF	REV
		NTS	1	1	E