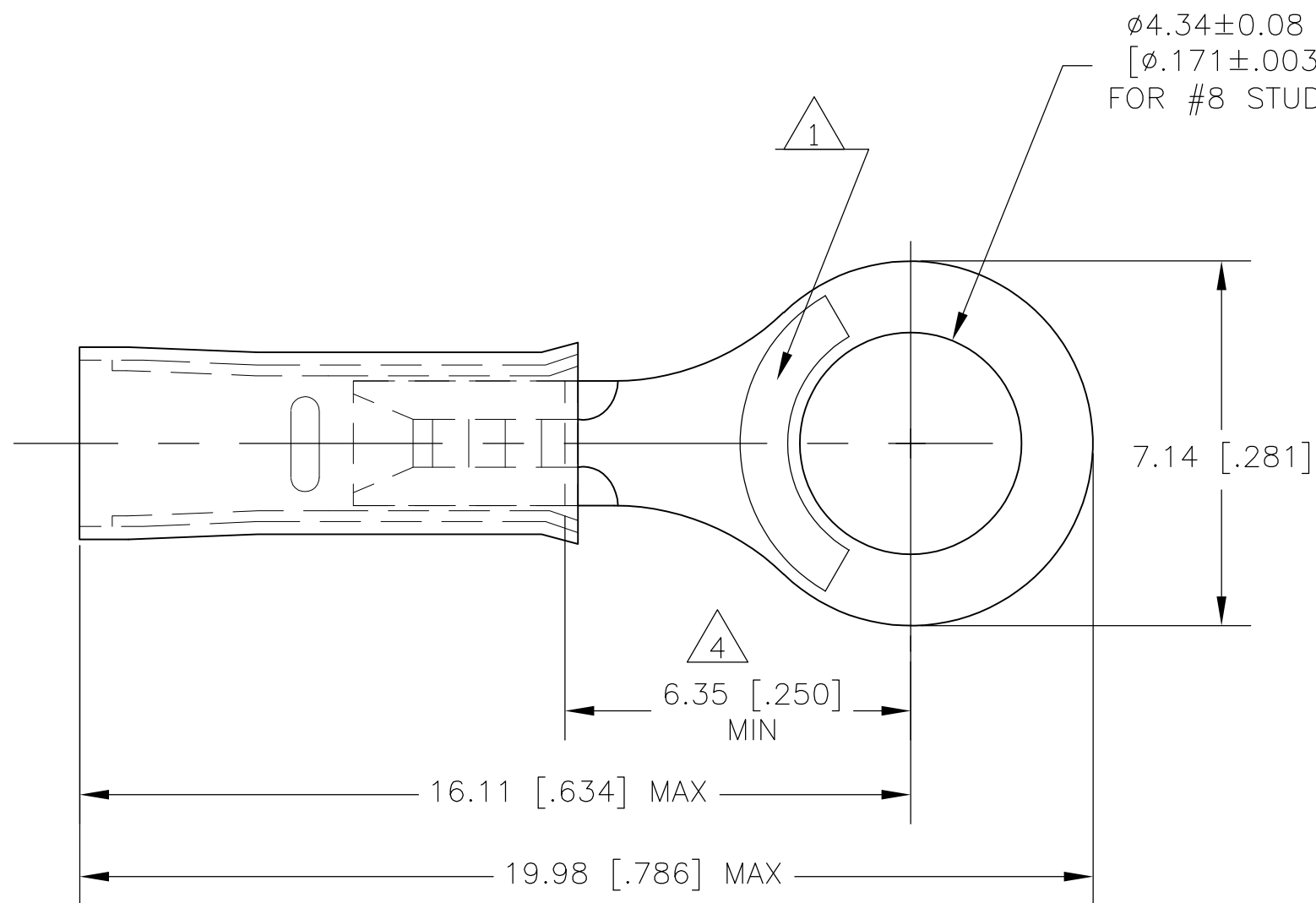


THIS DRAWING IS UNPUBLISHED. RELEASED FOR PUBLICATION
 © COPYRIGHT - BY TYCO ELECTRONICS CORPORATION. ALL RIGHTS RESERVED.

| LOC | DIST | REVISIONS | | | |
|-----|------|-------------|-----------------------|---------|----------|
| P | LTR | DESCRIPTION | DATE | DWN | APVD |
| G | 14 | 02 | REV PER ECR 07-020486 | 28AUG07 | JR TM |

AMP
WIRE RANGE

22 AWG
SOLID OR STRANDED



- 1 STAMP AMP 22, LOCATE APPROX AS SHOWN.
- 2 WIRE INSULATION DIA IS 0.9-2.5 [.035-.100]
- 3 TONGUE MATERIAL THK IS 0.79±0.05 [.031±.002]
- 4 DIMENSION APPLIES FROM EDGE OF METAL WIRE BARREL TO CENTER OF STUD HOLE.
- 5 MATERIAL: BODY-COPPER PER ASTM B-152
SLEEVE-NYLON, BLACK
- 6 FINISH: BODY-TIN PLATE PER ASTM B-545
- 7 MAX RECOMMENDED OPERATING 105°C
- 8 VOLTAGE RATING 300V MAX
- 9 CIRCULAR MIL AREA 0.26-0.41mm² [509-810] CMA.

| | | |
|-----|--------------|---------|
| 500 | LOOSE PIECE | 151440 |
| QTY | PACKAGE TYPE | PART NO |

| | | | | |
|---|--------|---------------------------------|---|--------------------|
| THIS DRAWING IS A CONTROLLED DOCUMENT. | | DWN jr_ruth 09MAY06 | Tyco Electronics Corporation Harrisburg, PA 17105-3608 | |
| DIMENSIONS: INCHES | | CHK T MICHELUTTI 09MAY06 | NAME TERMINAL, RING TONGUE, PIDG, WIRE SIZE: 22 AWG | |
| TOLERANCES UNLESS OTHERWISE SPECIFIED: | | APVD T MICHELUTTI 09MAY06 | PRODUCT SPEC | |
| 0 PLC ± - 1 PLC ± - 2 PLC ± - 3 PLC ± .005 4 PLC ± - ANGLES ± 5° | | APPLICATION SPEC | | |
| MATERIAL | FINISH | WEIGHT | SIZE A3 | CAGE CODE 00779 |
| - 5 | - 6 | - | DRAWING NO G-151440 | RESTRICTED TO |
| CUSTOMER DRAWING | | | SCALE 8:1 | SHEET 1 OF 1 |
| | | | REV 02 | |