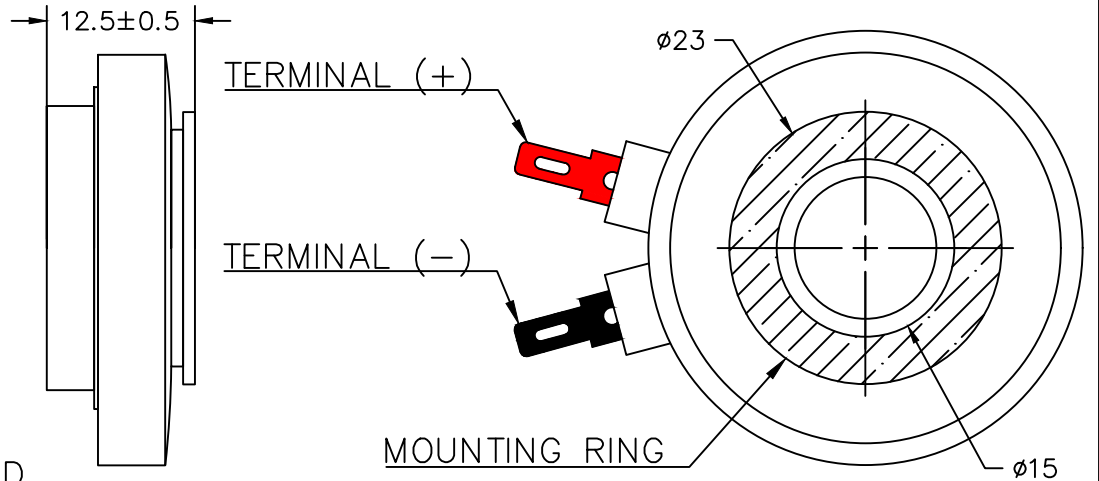
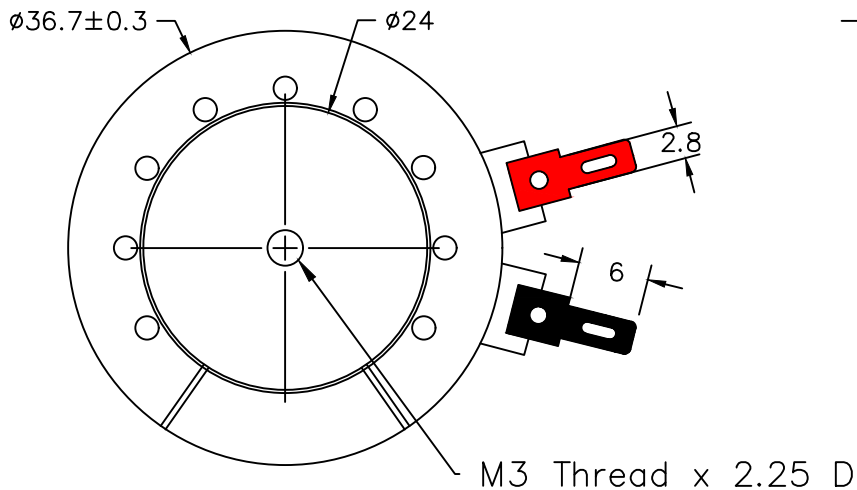


THIS DOCUMENT CONTAINS DATA PROPRIETARY TO PROJECTS UNLIMITED, INC. ANY USE OR REPRODUCTION, IN ANY FORM, WITHOUT PRIOR WRITTEN PERMISSION OF PROJECTS UNLIMITED, INC. IS PROHIBITED.
© 2005, Projects Unlimited Inc.

SPECIFICATIONS

PARAMETERS	VALUES	UNITS
RATED INPUT POWER	3	W
MAX INPUT POWER	5	W
IMPEDANCE	4±15%	OHM
VOICE COIL DIAMETER	19	MM
AVG. SPL 1W/0.1M ON 4MM THICK PLA PANEL (AT 0.5, 1.0, 2.0, 5.0 kHz)	88	dBA
RESONANT FREQUENCY	400±20%	Hz
FREQUENCY RANGE	Fo ~ 10,500	Hz
MAGNET MATERIAL	NdFeB	-
OPERATING TEMPERATURE	-20 ~ +60	°C
WEIGHT	20	grams


REVISIONS			
LTR	DESCRIPTION	DATE	APPROVED
-	RELEASED FROM ENGINEERING	4/14/16	
A	ADDED M3 THREAD	7/16/19	M.V.



NOTES:

- ALL DIMENSIONS ARE IN MILLIMETERS.
- SPECIFICATION SUBJECT TO CHANGE OR WITHDRAWAL WITHOUT NOTICE.
- THIS PART IS RoHS 2011/65/EU COMPLIANT.

FILE NAME
ASX03604-R.DWG

<small>UNLESS OTHERWISE SPECIFIED: ALL PURCHASES ARE SUBJECT TO THE PUI AUDIO TERMS AND CONDITIONS SALE FOUND AT http://www.puiaudio.com/pdf/terms_conditions.pdf (paper copy available upon request). DIMENSIONS ARE IN MILLIMETERS. TOLERANCES ARE ±0.5 AND ANGLES ARE ±3°.</small>		 <p>3541 Stop Eight Road Dayton, Ohio 45414</p>							
<table border="1"> <thead> <tr> <th>APPROVALS</th> <th>DATE</th> </tr> </thead> <tbody> <tr> <td>DRAWN <i>M.V.</i></td> <td>4/16</td> </tr> <tr> <td>CHECKED <i>M.V.</i></td> <td>4/16</td> </tr> <tr> <td>APPROVED <i>B.R.</i></td> <td>4/16</td> </tr> </tbody> </table>			APPROVALS	DATE	DRAWN <i>M.V.</i>	4/16	CHECKED <i>M.V.</i>	4/16	APPROVED <i>B.R.</i>
APPROVALS	DATE								
DRAWN <i>M.V.</i>	4/16								
CHECKED <i>M.V.</i>	4/16								
APPROVED <i>B.R.</i>	4/16								
<table border="1"> <tr> <td>SIZE A</td> <td>DRAWING NO. ASX03604-R</td> </tr> </table>		SIZE A	DRAWING NO. ASX03604-R	<p>EXCITER</p> <p>SCALE: N.T.S.</p> <p>SHEET 1 OF 1</p>					
SIZE A	DRAWING NO. ASX03604-R								