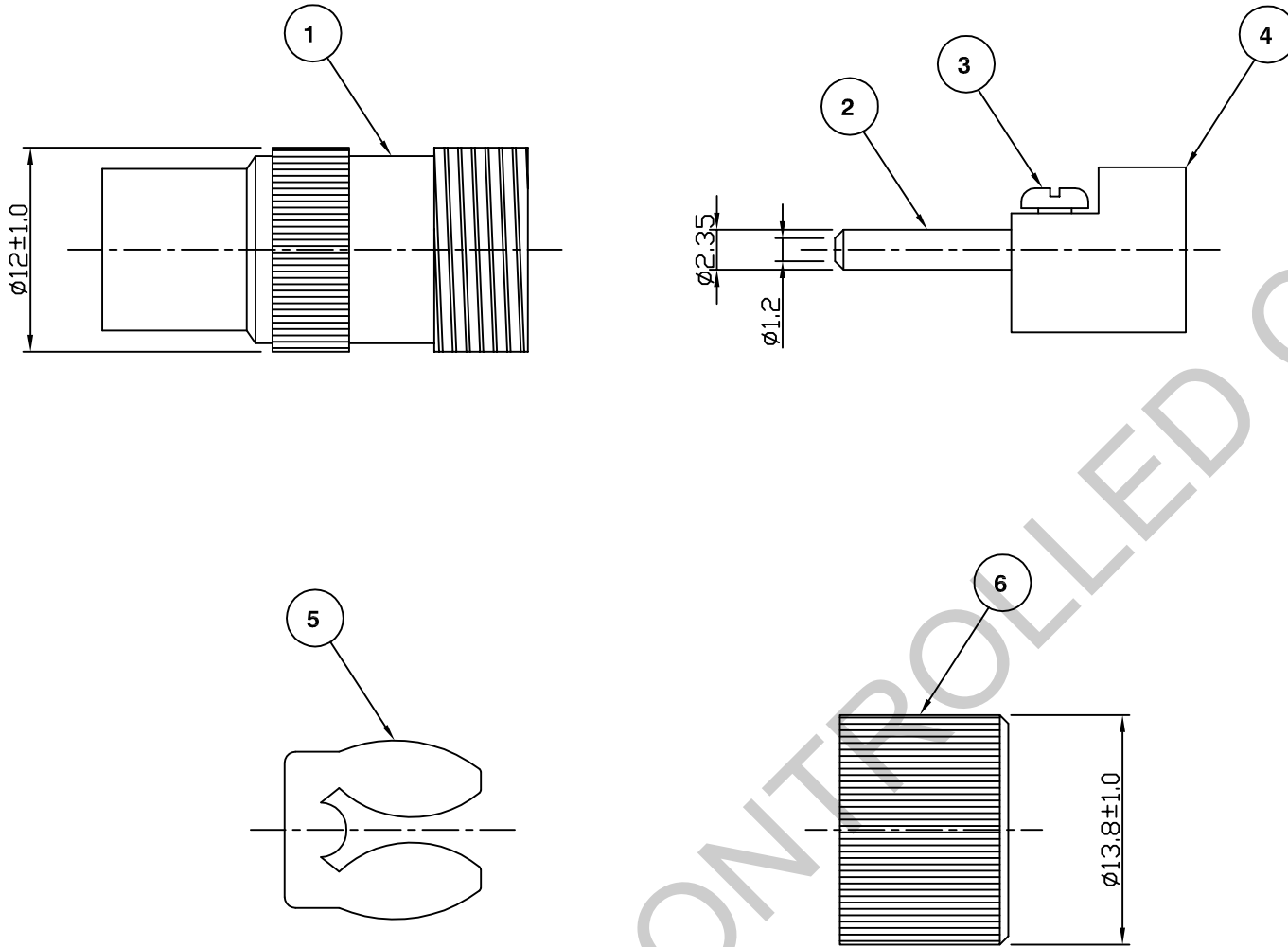


RoHS COMPLIANT



**Electrical Characteristics**

Nominal Impedance:	60-75 Ohms
Frequency Range:	DC to 900 MHz
VSWR:	1.35:1 maximum
Operating Voltage (DC):	4000 V maximum
Dielectric Withstand Voltage (rms):	1500 V maximum at sea level
Contact Resistance:	3.0 milliohms maximum
Insulation Resistance:	10000 megohms minimum

**Mechanical Characteristics**

Mating Cycles:	50 cycles (subject to cable)
Interface Dimensions:	Conform to MIL-C-39012

**Environmental Characteristics**

Temperature Range:	-55 °C to +85 °C
--------------------	------------------

	PART	DESCRIPTION
1	Body	Brass, nickel plated 2.54 µm
2	Contact	Brass, nickel plated 2.54 µm
3	Screw	Steel, nickel plated 2.54 µm
4	Insulator	POM
5	Clamp	Steel, nickel plated 2.54 µm
6	Shell	Brass, nickel plated 2.54 µm

First Issue	SN	1	10 Jan 02
DESCRIPTION OF REVISION	APPVD	ISS	DATE

**Total length of connector when assembled is 33±1mm**  
**For stripping and assembly instructions see Drawing Number: VAIE1102**



**Cinch Connectivity Solutions**  
 7-13 Russel Way,  
 Widford Industrial Estate,  
 Chelmsford,  
 Essex,  
 CM1 3AA, UK  
 Tel: +44 (0) 1245 359515  
 Fax: +44 (0) 1245 358938

SCALE: Not To Scale	DRAWN BY: S Nash
DIMENSIONS: mm	CHECKED BY: M Nielsen
TOLERANCES: ± 0.2mm unless otherwise stated	APPROVED BY: P Couzens
	DATE: 10 Jan 02

TITLE:  
**Euro Screw Termination Plug  
 for RG59**

PART NUMBER:  
**VE10-59**

PAGE: 1 of 1