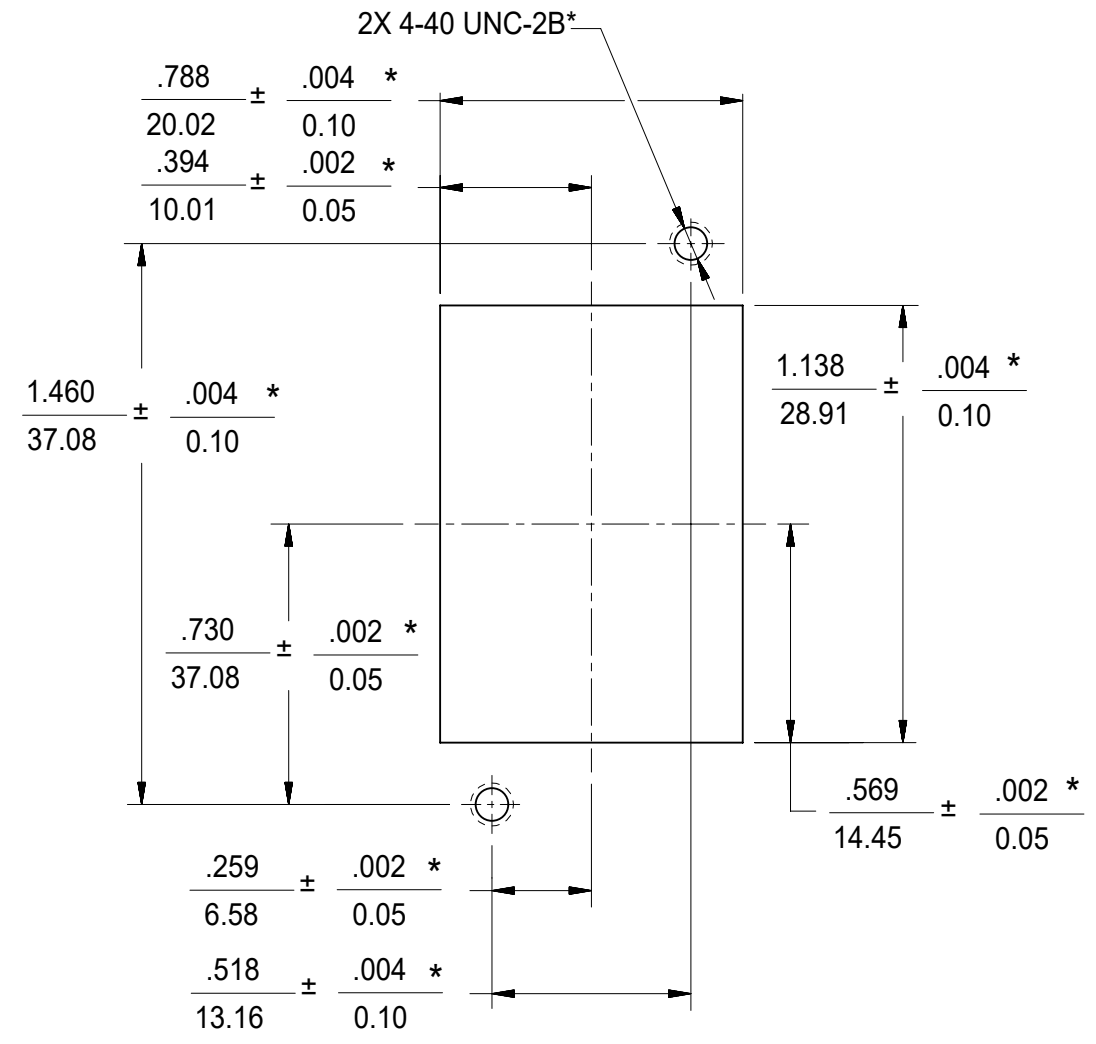
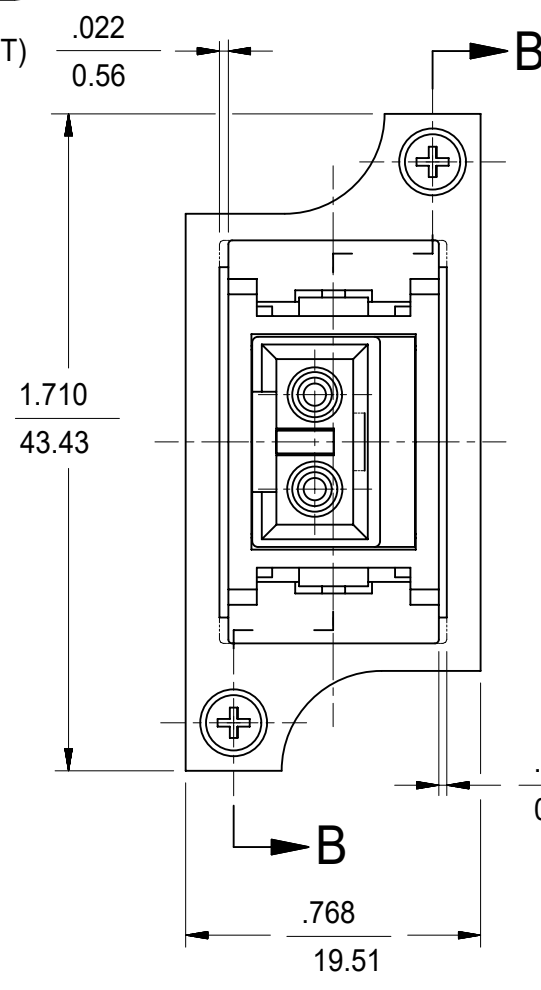
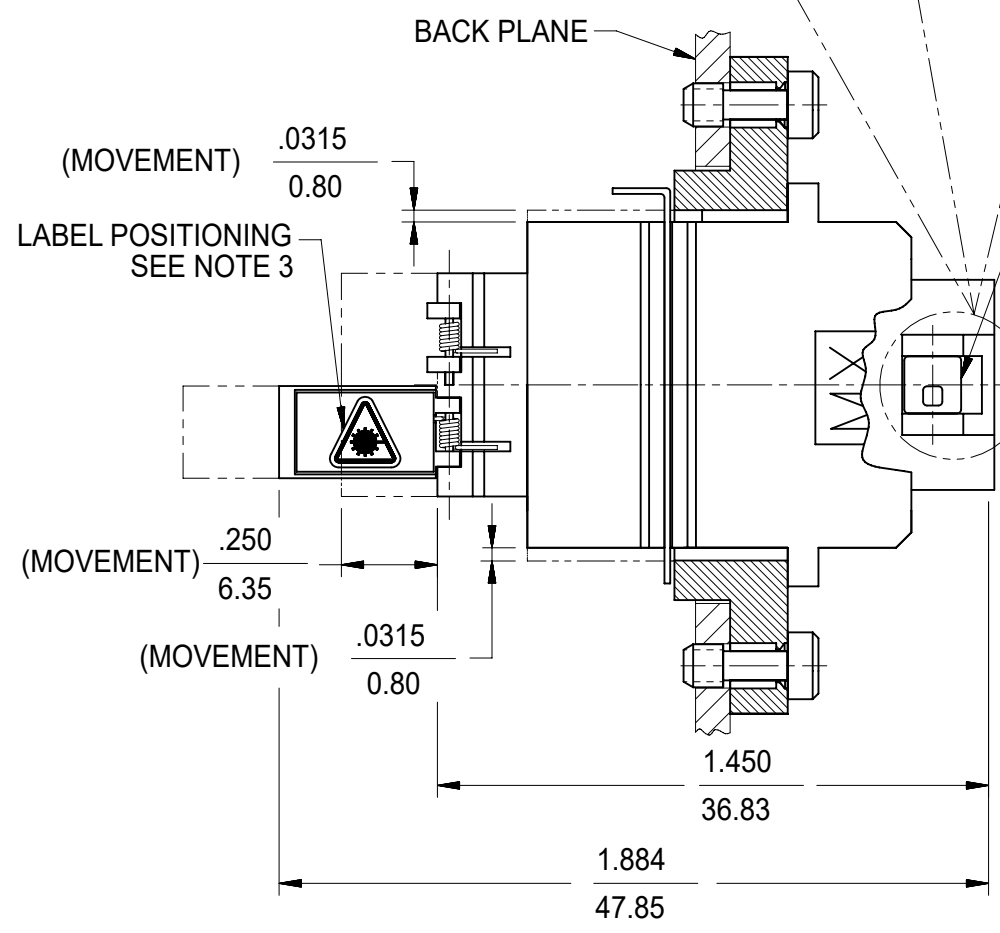
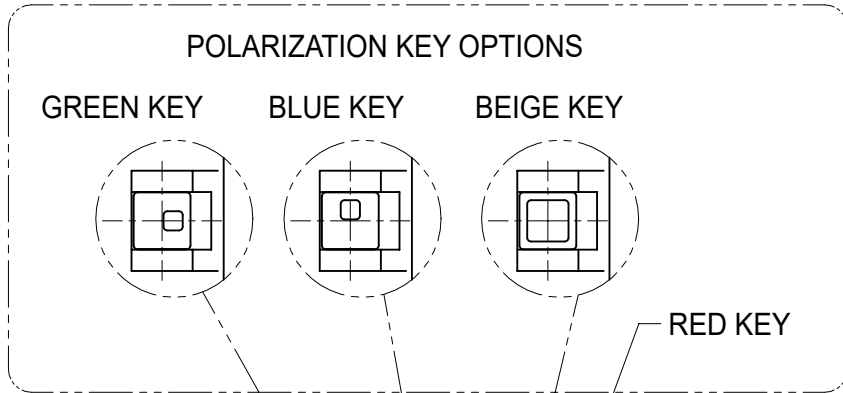


10	9	
BLC ADAPTER P/N	SPLIT SLEEVE MATERIAL	COLOR
106145-1100	Zr	BLACK



- NOTES:
1. ALL DIM. ARE FOR REFERENCE ONLY, EXCEPT WHEN MARKED WITH (*).
 2. POLARIZATION KEYS AND LABELS ARE PACKED UNASSEMBLED WITH ADAPTER ASSEMBLY IN POLY BAG.
 3. ADHESIVE LABELS TO BE POSITIONED ON LC DOORS BY USER. THE ORIENTATION OF THE LABELS SHOULD BE SUCH THAT THE LASER WARNING SYMBOL IS EASILY IDENTIFIED.

THIS DRAWING CONTAINS INFORMATION THAT IS PROPRIETARY TO MOLEX ELECTRONIC TECHNOLOGIES, LLC AND SHOULD NOT BE USED WITHOUT WRITTEN PERMISSION									
DIMENSION UNITS IN/MM		SCALE 2:1		CURRENT REV DESC: REMOVED OBSOLETE PART NUMBERS AS PER PCN#510808.				molex	
GENERAL TOLERANCES (UNLESS SPECIFIED)				EC NO: 736640		BLC ADAPTER ASSEMBLY (2 POSITION)			
		MM	INCH	DRWN: LIKITV		2023/01/25		PRODUCT CUSTOMER DRAWING	
4 PLACES ±		±	±	CHK'D: GGA		2023/02/16		DOCUMENT NUMBER	
3 PLACES ±		±	±	APPR: GGA		2023/02/16		DOC TYPE DOC PART REVISION	
2 PLACES ±		±	±	INITIAL REVISION:		2005/10/21		SD-106145-XX00 PSD 001 B1	
1 PLACE ±		±	±	DRWN: PGIBLIN		2005/10/21		MATERIAL NUMBER CUSTOMER	
0 PLACES ±		±	±	APPR:				SEE TABLE GENERAL MARKET	
ANGULAR TOL ± 0.5°				DRAFT WHERE APPLICABLE MUST REMAIN WITHIN DIMENSIONS		THIRD ANGLE PROJECTION		DRAWING SERIES	
				A3-SIZE		106145		SHEET NUMBER	
								1 OF 1	

DOCUMENT STATUS	P1	RELEASE DATE	2023/02/16	05:36:32
-----------------	----	--------------	------------	----------