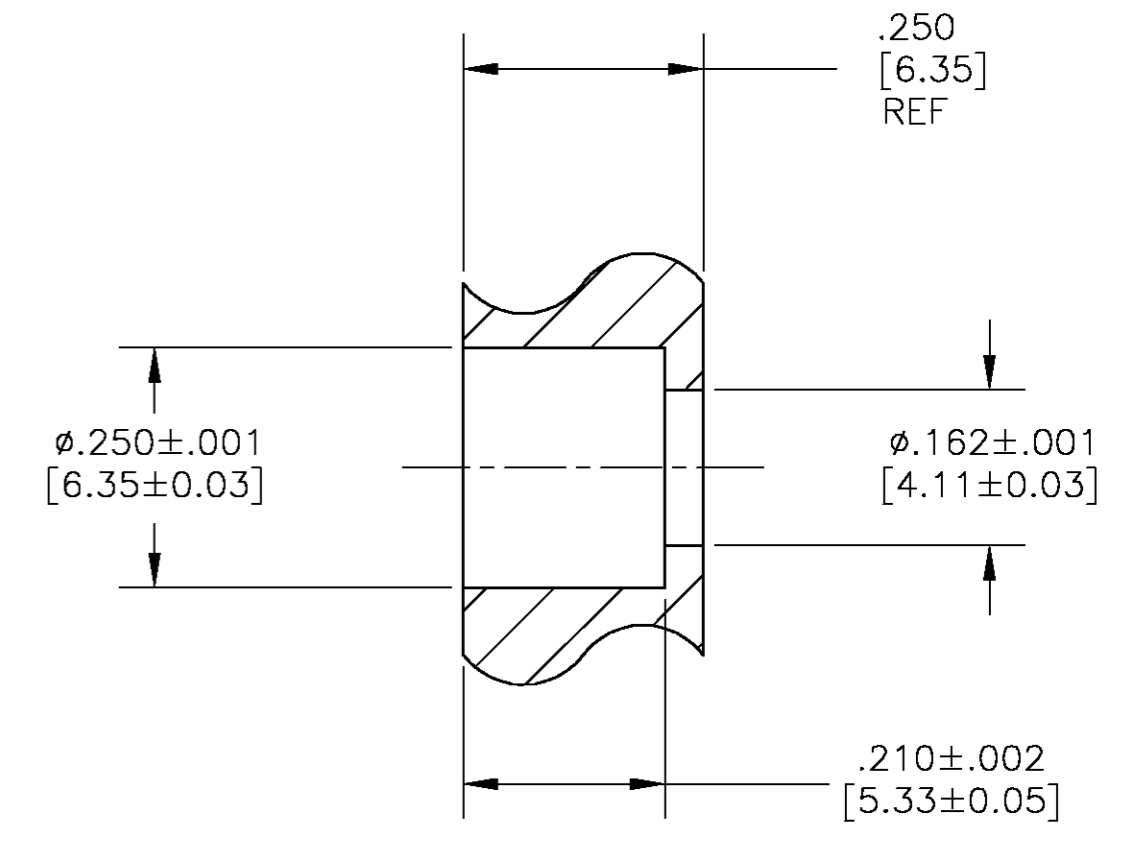
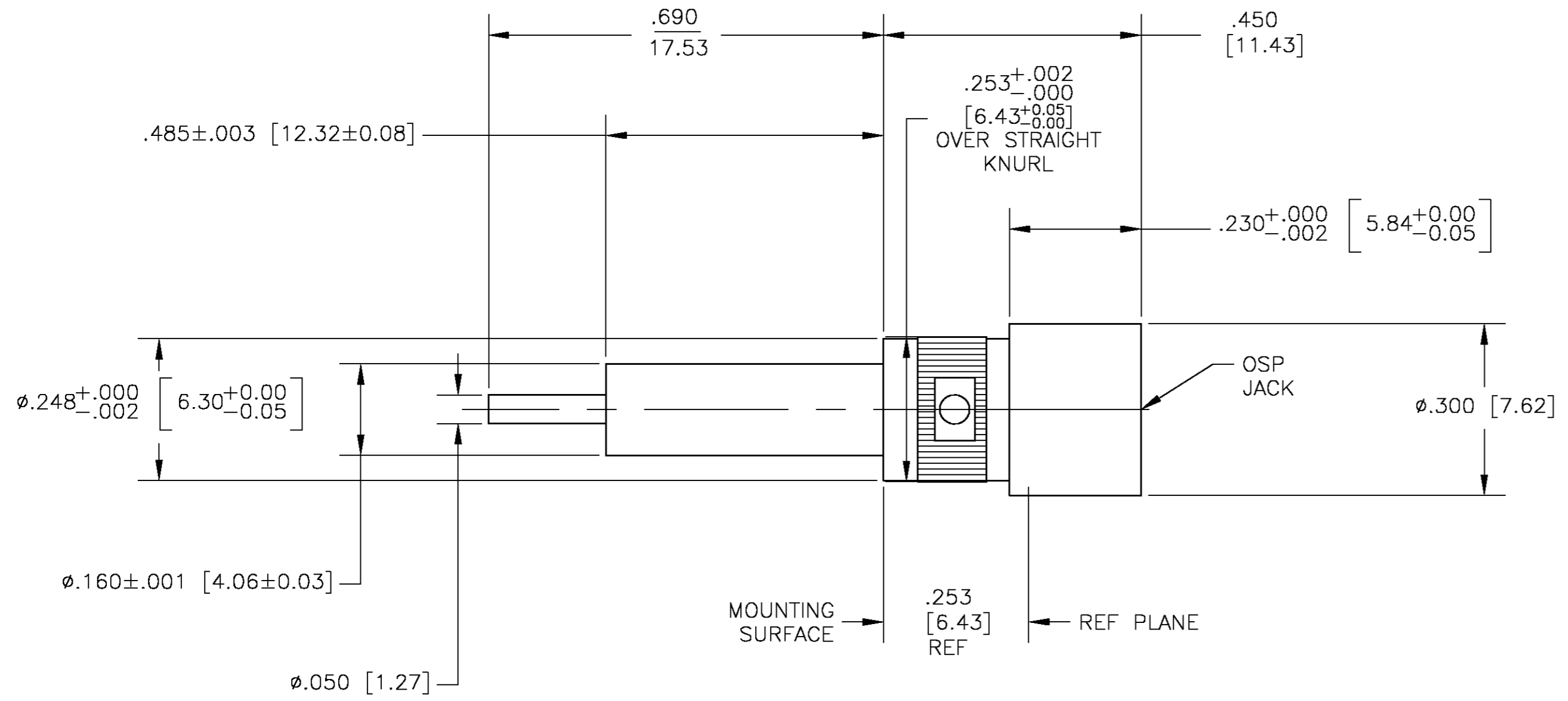


THIS DRAWING IS UNPUBLISHED. RELEASED FOR PUBLICATION
 © COPYRIGHT BY TYCO ELECTRONICS CORPORATION. ALL RIGHTS RESERVED.

LOC	DIST	REVISIONS					
AJ	16	P	LTR	DESCRIPTION	DATE	DWN	APVD
		C		REVISED PER OS14-0492-03	04MAR2004	JDP	JGH



1059677-1
 PART NUMBER

ELECTRICAL	MECHANICAL	ENVIRONMENTAL
Nominal Impedance (Ohms) <u>50</u>	Interface Dimensions <u>PER MIL-STD-348A, FIG. 321.2</u>	TEMPERATURE RATING <u>-65° TO +125°C</u>
Frequency Range (GHz) DC to <u>18</u>	Mating Characteristics:	Vibration MIL-STD-202, Method 204, Condition D
Volt Rating (VRMS MAX) @ Sea Level <u>500</u>	Insertion (MAX Lbs) <u>3</u>	Shock MIL-STD-202, Method 213, Condition I
VSWR <u>1.05+.005f(GHz)</u>	Withdrawal (MIN Oz) <u>1</u>	Thermal Shock MIL-STD-202, Method 107, Condition B
Insertion Loss (dB MAX) <u>.03x√f(GHz)</u>	Force to Engage (Lbs MAX) <u>3</u> & Disengage (Lbs MAX) <u>1.5</u>	Moisture Resistance MIL-STD-202, Method 106
RF Leakage (dB MIN) (Interface Only, Fully Mated) <u>-(90-f(GHz))</u>	Center Contact Captivation Axial (Lbs) <u>6</u>	Corrosion - MIL-STD-202, Method 101, Condition B
Corona, 70,000 Ft (VRMS MIN) <u>335</u>	Cable Retention Axial Force (Lbs MIN) <u>N/A</u>	
Dielectric Withstanding Voltage (VRMS MIN) @ Sea Level <u>1000</u>	Torque (In-Oz MIN) <u>N/A</u>	
Contact Resistance (Milliohms MAX) Center Contact <u>2.0</u> Outer Contact <u>2.0</u>	Weight (Grams) <u>TBD</u>	
Cable to Housing <u>N/A</u>		
RF High Potential @ Sea Level (VRMS MIN @ 5 MHz) <u>1000</u>		
I.R.(Megohms MIN) <u>5000</u>		

.XXX = in
 XX.X = mm

COMPONENT	MATERIAL	FINISH
HOUSING	STAINLESS STEEL PER ASTM-A484 AND ASTM-A582, TYPE 303	PASSIVATE PER ASTM-A380
DIELECTRIC	TFE FLUOROCARBON PER ASTM-D-1457	N/A
CENTER CONTACT	BERYLLIUM COPPER PER ASTM-B-196 OR ASTM-B-197, ALLOY C17300, CONDITION H	GOLD PLATE PER MIL-G-45204
CENTER SLEEVE	BERYLLIUM COPPER PER ASTM-B-196 OR ASTM-B-197, ALLOY C17300, CONDITION H	GOLD PLATE PER MIL-G-45204
CENTER RING	BERYLLIUM COPPER PER ASTM-B-194, ALLOY C17200, COND H	GOLD PLATE PER MIL-G-45204

THIS DRAWING IS A CONTROLLED DOCUMENT.

DIMENSIONS: INCHES	TOLERANCES UNLESS OTHERWISE SPECIFIED: 0 PLC ± - 1 PLC ± - 2 PLC ± - 3 PLC ± .005 [0.13] 4 PLC ± - ANGLES ± - FINISH	DWN J. HAVENER 13JUN2002 CHK J. HAVENER 13JUN2002 APVD J. HAVENER 13JUN2002	Tyco Electronics Corporation Harrisburg, PA 17105-3608
MATERIAL SEE TABLE	FINISH SEE TABLE	PRODUCT SPEC - APPLICATION SPEC - WEIGHT -	NAME OSP PANEL FEEDTHRU JACK RECEPTACLE, STRAIGHT TERMINAL (4558-5337-02) SIZE A2 CAGE CODE 00779 DRAWING NO 1059677-1 RESTRICTED TO - SCALE 5:1 SHEET 1 OF 1 REV C

CUSTOMER DRAWING