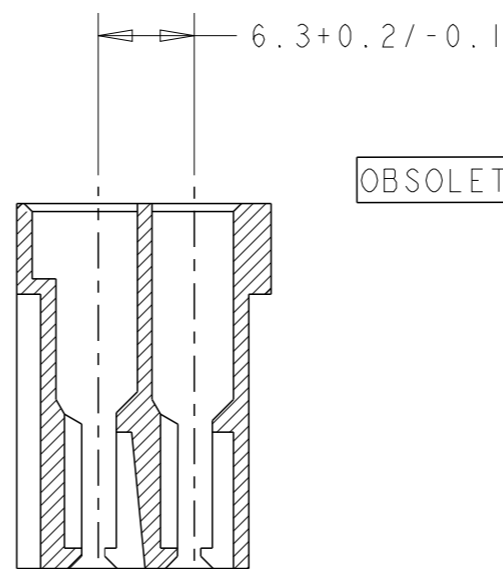
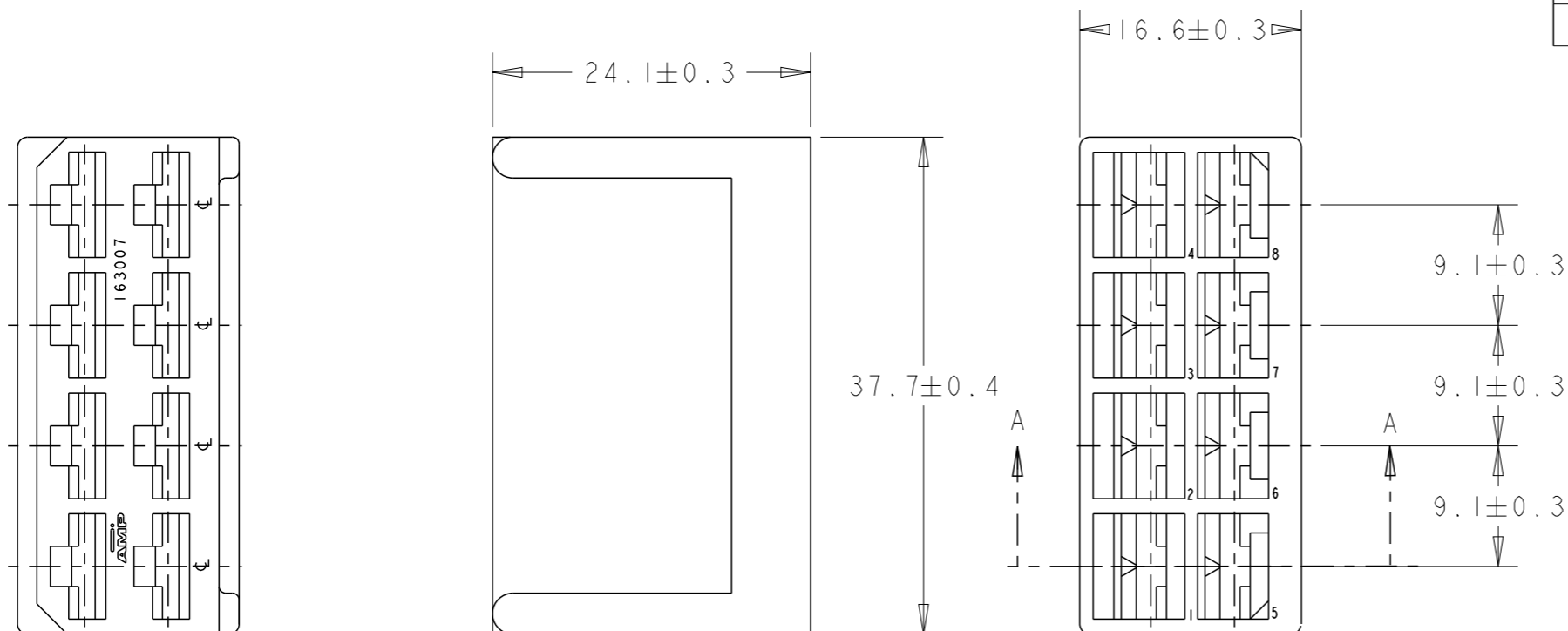


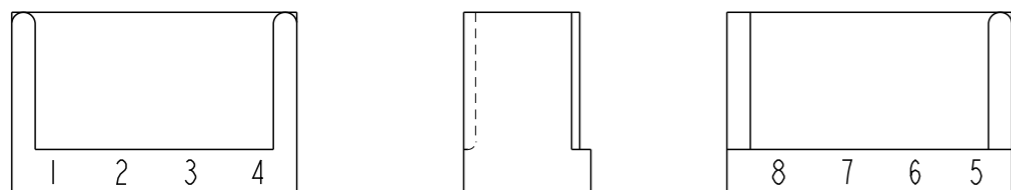
P	LTR	DESCRIPTION	DATE	DWN	APVD
	D3	REVISED PER ECR-21-118186	29OCT2021	SS	EW
	D4	REVISED PER ECR-23-163663	30JAN2023	GK	EW

DIMENSIONS IN mm



SECTION A-A

THESE VIEWS SHOW THE EXTRA NUMBERING FOR: 1-163007-0



ORDER NO.	COLOUR	MATERIAL
1-163007-0	CLEAR	PA 6/6
163007-9	ORANGE	PA 6/6
163007-8	VIOLET	PA 6/6
163007-7	GREY	PA 6/6
163007-6	BROWN	PA 6/6
163007-5	BLACK	PA 6/6
163007-4	YELLOW	PA 6/6
163007-3	BLUE	PA 6/6
163007-2	GREEN	PA 6/6
163007-1	RED	PA 6/6
163007-0	CLEAR	PA 6/6

THIS DRAWING IS A CONTROLLED DOCUMENT.

DIMENSIONS:	-	TOLERANCES UNLESS OTHERWISE SPECIFIED:
mm	-	0 PLC ±-
		1 PLC ±-
		2 PLC ±-
		3 PLC ±-
		4 PLC ±-
		ANGLES ±-
MATERIAL	-	FINISH
material_2	-	finish_spec_2

DWN	RvHEUVEN	14AUG07
CHK	MvDRIEL	14AUG07
APVD	MvDRIEL	14AUG07
PRODUCT SPEC	-	-
APPLICATION SPEC	-	-
WEIGHT	-	-
CUSTOMER DRAWING		

TE TE Connectivity

NAME
8 WAY FASTIN-ON RECEPT. HOUSING

SIZE	CAGE CODE	DRAWING NO	RESTRICTED TO
A3	00779	163007	-

SCALE NTS SHEET 1 OF 1 REV D4