

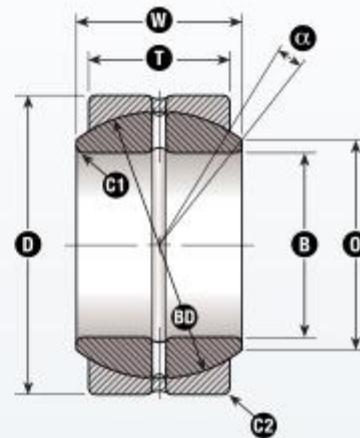
# NPB GEZ25ES BEARING

LOAD SERIES INCH | STANDARD DUTY UNSEALED SPHERICAL PLAIN BEARING

NPB Part No. **GEZ25ES**

## SPECIFICATIONS

Sealed	No
Ball Bore Diameter	<b>B</b> 1" [1.000"] ±0.0005
Outside Diameter <sup>1</sup>	<b>D</b> 1.6250" ±0.0005
Ball Width	<b>W</b> .875" ±0.005
Race Width	<b>T</b> .750" ±0.005
Ball Diameter Ref	<b>BD</b> 1.437"
Tilt Angle <sup>2</sup>	<b>α</b> 6 deg
Shoulder Diameter Ref	<b>D</b> 1.083"
Shaft Fillet Max	<b>C1</b> .011"
Housing Fillet Max	<b>C2</b> .039"
Static Radial Load <sup>3</sup>	37,359 Lbf
Dynamic Radial Load <sup>3</sup>	12,605 Lbf



**TYPE ES  
UNSEALED**

\*Stainless option is available in most sizes.

<sup>1</sup> All tolerances in this catalog are before the outer races are fractured and before application of dry film lubricant

<sup>2</sup> Seals may reduce tilt angle

<sup>3</sup> Ultimate loads for the bearings in this catalog are approximately 1.5 times the catalog load ratings