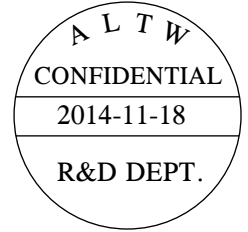
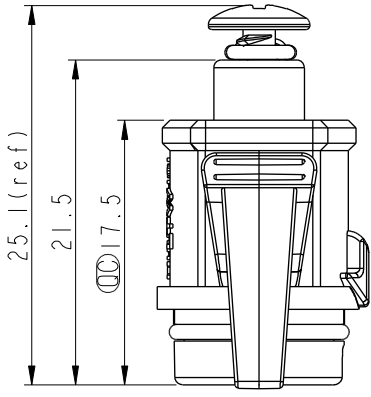
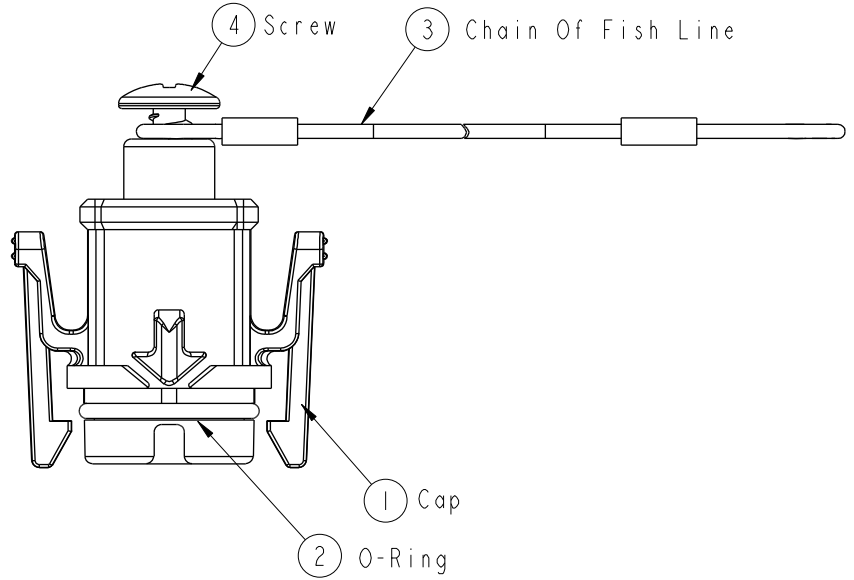
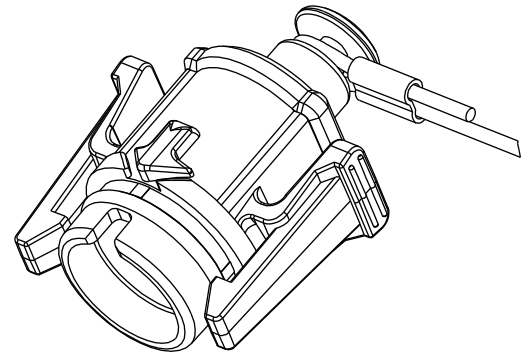
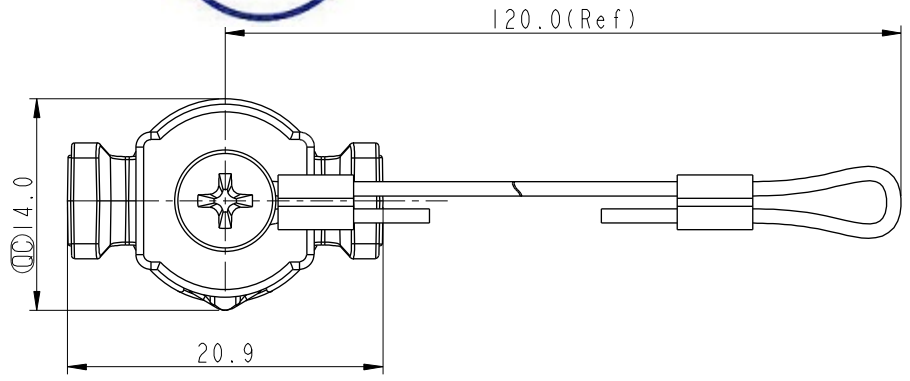


REV.	ECN NO.	DATE	SIGN	DESCRIPTION



- Note:
- * \varnothing Important Dimension To Check.
 - * Waterproof Rate: IP68
 - * Cap: PP, Black
 - * O-ring: Silicone, Gray
 - * Screw: Stainless.
 - * Fish Line: Nylon.

UNIT:mm		
TOLERANCE	±0.25	
.X	±0.1	
.XX	±0.1	
.XXX	±0.05	
ANGLES	±1°	

TITLE X-Lok B-Size Waterproof Cap For Male Conn.			
SCALE 2:1	SIZE A4	SHEET 1 OF 1	
REV. A	WC-REV. A.7	\varnothing : Inspection item	

Amphenol LTW
安費諾亮泰企業股份有限公司

ITEM NO CAP-WABMQMD1	DRAWN BY Micky	DATE 2014-11-18
DWG NO CAP-WABMQMD1	CHECKED BY Spring	DATE 2014-11-18
CUSTOMER ALTW	APPROVED BY Kevin	DATE 2014-11-18

THIS DOCUMENT IS SUBJECT TO CHANGE WITHOUT NOTICE. IT IS CONFIDENTIAL AND A PROPERTY OF Amphenol LTW. DISCLOSURE TO THIRD PARTY HAS TO BE AUTHORIZED BY Amphenol LTW.