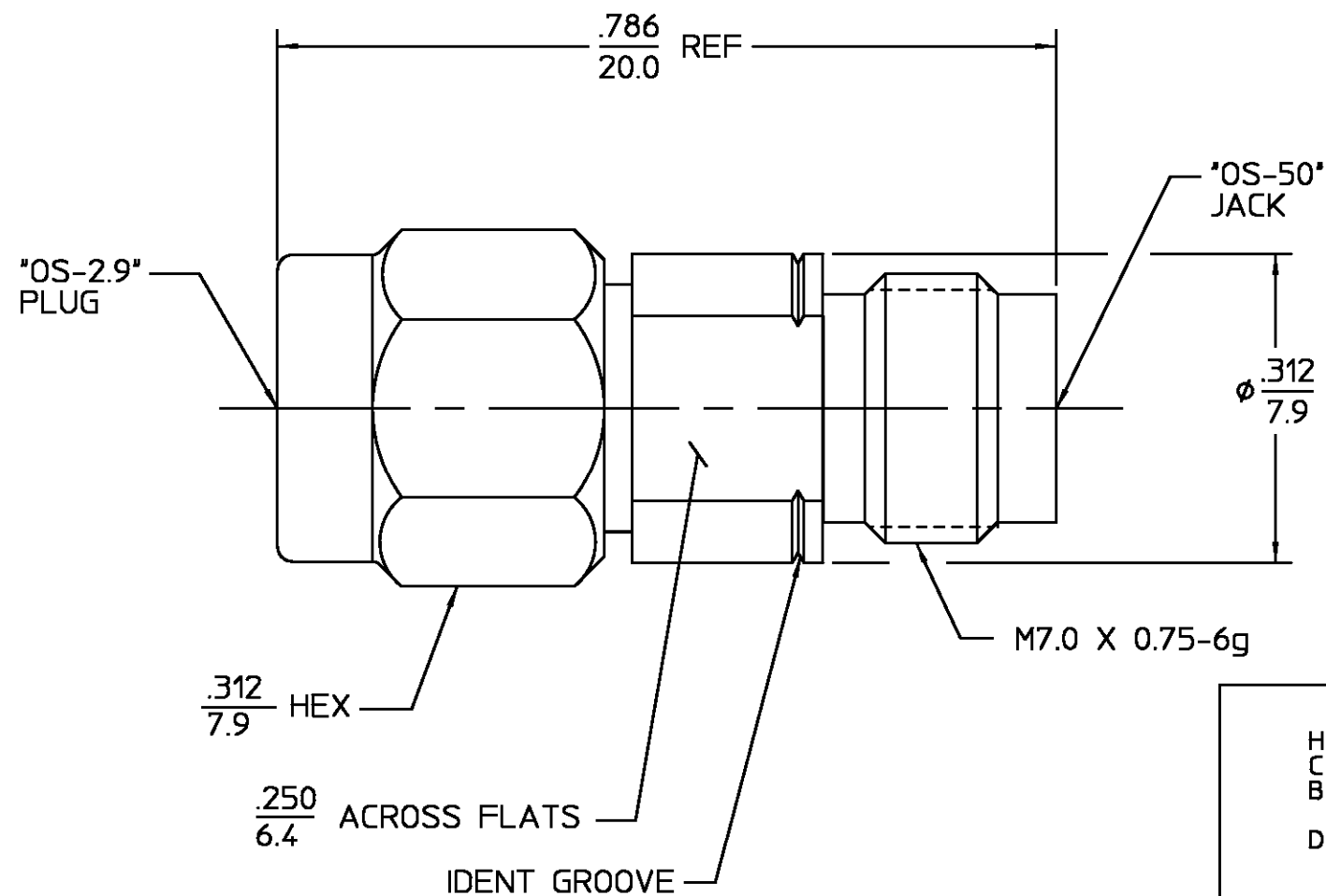



REVISIONS			
REV	DESCRIPTION	DATE	APPROVED
01 ₂	REVISED	03/18/98	<i>PSA</i>



HOUSING COUPLING NUT BUSHING	STAINLESS STEEL PER ASTM-A484 AND ASTM- A582, TYPE 303	PASSIVATE PER QQ-P-35
DIELECTRIC	PTFE FLUOROCARBON PER ASTM-D-1457	N/A
CENTER CONTACT	BERYLLIUM COPPER PER ASTM-B-196 OR ASTM-B-197, ALLOY C17300, CONDITION H	GOLD PLATE PER MIL-G-45204
RETAINING RING	BERYLLIUM COPPER PER ASTM-B-194, ALLOY C17200, CONDITION H	N/A
GASKET	SILICONE RUBBER PER ZZ-R-765	N/A

COMPONENT	MATERIAL	FINISH
-----------	----------	--------

UNLESS OTHERWISE SPECIFIED DIMENSIONS ARE IN INCHES	DRAWN BY DAC	DATE 11-19-89	 AMP Incorporated 140 Fourth Avenue Waltham, MA 02451-7599
	CHECKED BY SM	01-03-89	
	APPD BY AW	01-05-89	

These drawings and specifications are the property of M/A COM Interconnect Div. and shall not be reproduced or copied or used in whole or in part as the basis for the manufacture or sale of item(s) without written permission.	USE ASSY PROCEDURE	TITLE "OS-50" JACK TO "OS 2.9 mm" PLUG ADAPTER	
	NO. A.P. <u>N/A</u>	SIZE B	CODE IDENT NO. 26805
		8582-2361-02	REV 01 ₂
	SCALE	SHEET 1 OF 1	

NOTES:
1. CAPTURED CENTER CONTACT

.XXX = in
XX.X = mm (REF)

CUSTOMER DRAWING

AMP PART # 1063399-1
SHEET 1 OF 1 REV A