

MATERIALS AND FINISHES:

MCX PLUG R/A CONNECTOR:

BODY, CAP: BRASS
PLATED NICKEL

CENTER CONTACT: BRASS
PLATED GOLD

NOTES:

PACKAGING BY PLASTIC BAG

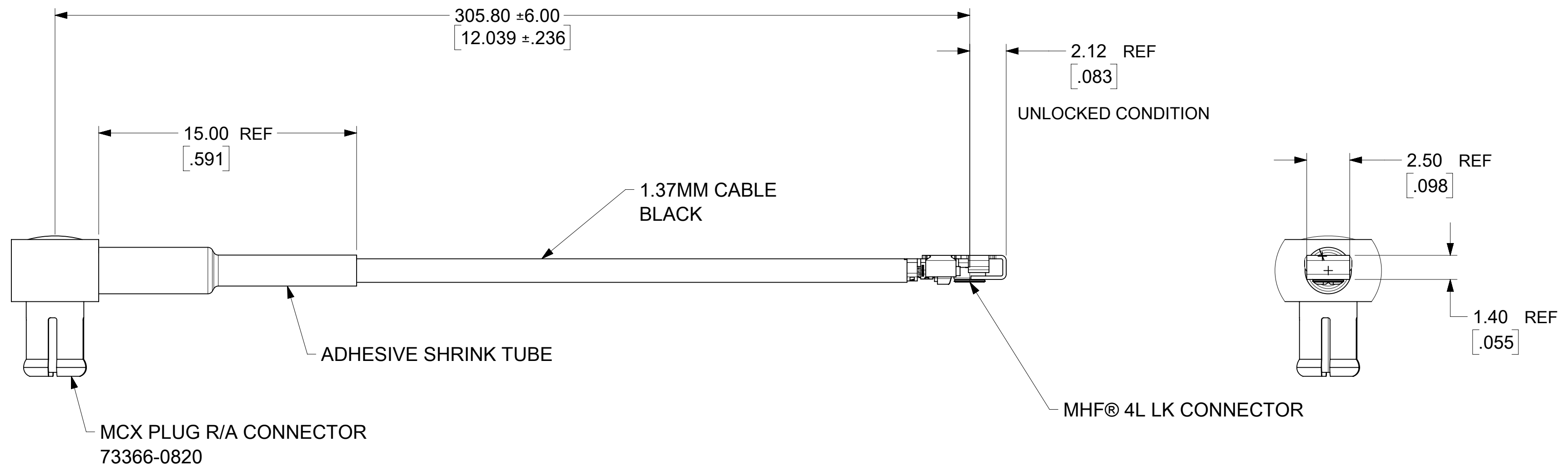
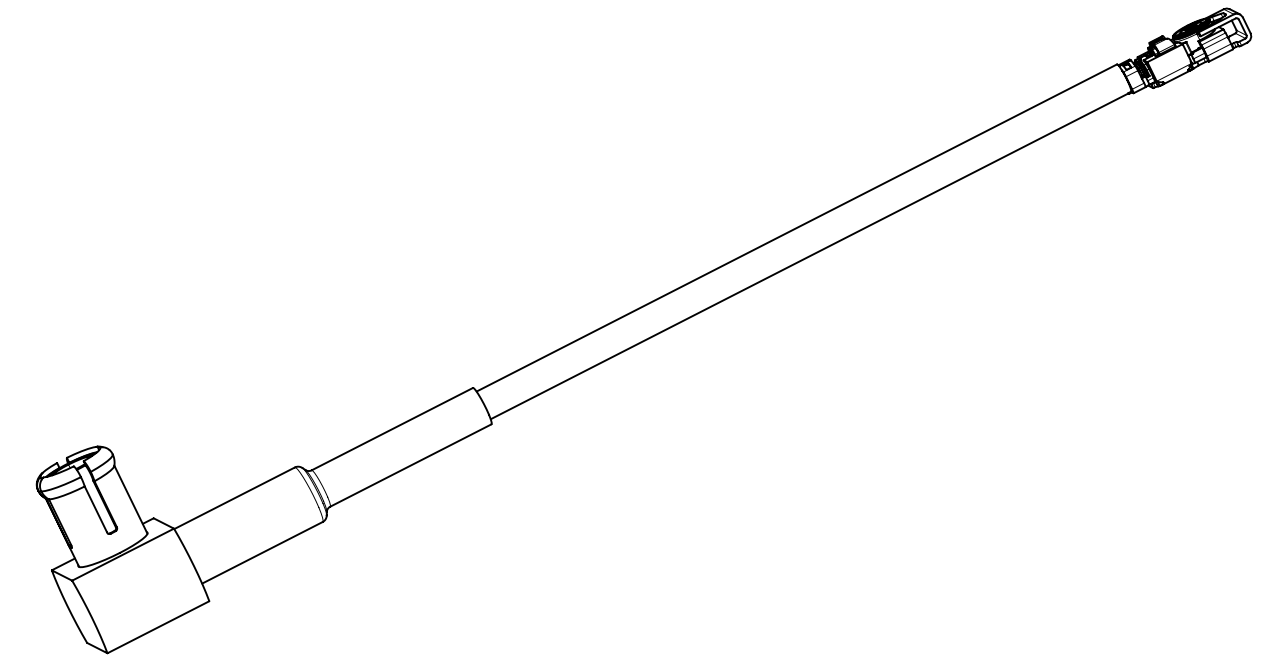
CONNECTOR:

MHF@ 4L LK CONNECTOR

CABLE: 1.37MM CABLE BLACK

PERFORMANCE REQUIRMENTS:

1. FREQUENCY: DC~ 6GHz
2. IMPEDANCE: 50 OHMS
3. TEST 100% CONTINUITY
4. TEST 100% HI-POT: AC 350 V@0.5mA



PART # 73230-6260

THIS DRAWING CONTAINS INFORMATION THAT IS PROPRIETARY TO MOLEX ELECTRONIC TECHNOLOGIES, LLC AND SHOULD NOT BE USED WITHOUT WRITTEN PERMISSION									
FUNCTIONAL SYMBOLS	DIMENSION UNITS	SCALE	CURRENT REV DESC:						
$\nabla_A = 0$	mm	NTS	EC NO: 721426 DRWN: MYLU07 2022/07/27 CHK'D: YHUANG11 2022/09/21 APPR: LCHEN03 2022/09/22 INITIAL REVISION: DRWN: MYLU07 2022/07/27 APPR: LCHEN03 2022/09/22						
$\nabla_C = 0$	GENERAL TOLERANCES (UNLESS SPECIFIED)								
$\nabla_P = 0$	ANGULAR TOL ± °								
DIVISIONAL SYMBOLS	4 PLACES	±	CA, MCX PLUG R/A 50 OHMS TO MHF@ 4L LK WITH 1.37MM CABLE EWR#15309-A PRODUCT CUSTOMER DRAWING DOCUMENT NUMBER: 732306260 DOC TYPE: PSD DOC PART: 000 REVISION: A MATERIAL NUMBER: 73230-6260 CUSTOMER: GENERAL MARKET SHEET NUMBER: 1 OF 1						
	3 PLACES	±							
	2 PLACES	±							
	1 PLACE	±							
	0 PLACES	±	DRAFT WHERE APPLICABLE MUST REMAIN WITHIN DIMENSIONS THIRD ANGLE PROJECTION DRAWING: C-SIZE SERIES: 73230						

DOCUMENT STATUS	P1	RELEASE DATE	2022/09/22	07:56:06
-----------------	----	--------------	------------	----------