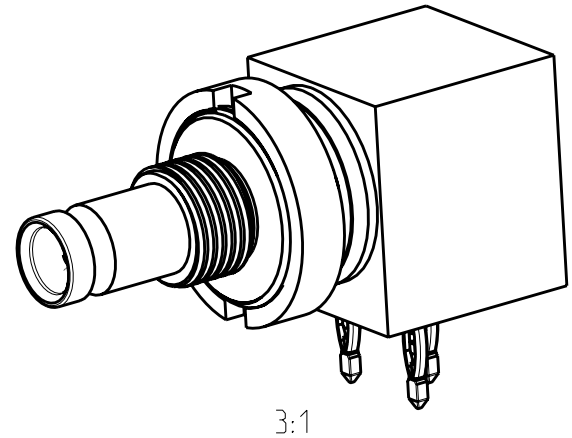
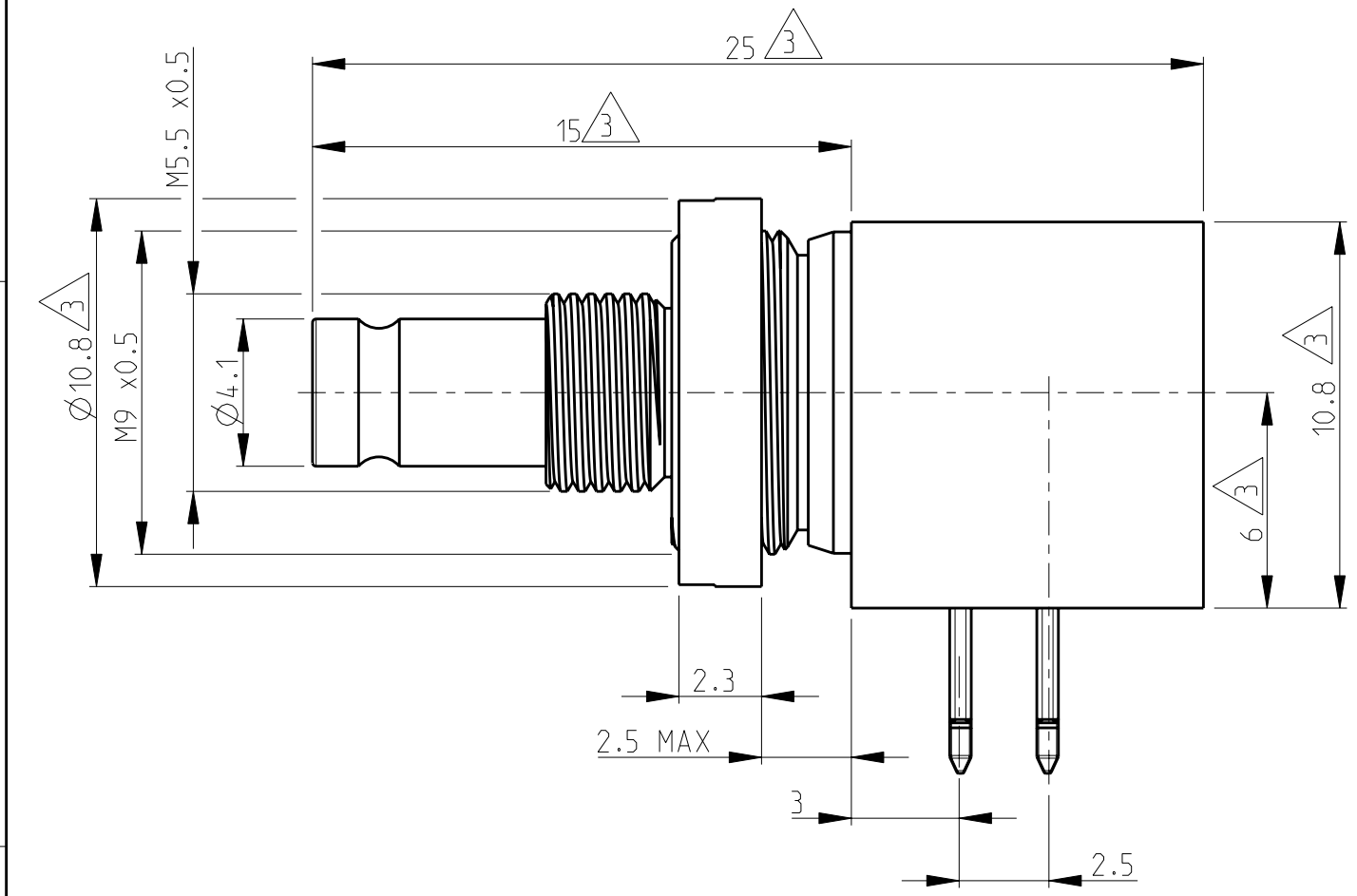
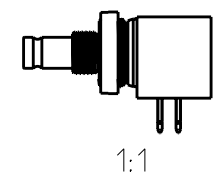
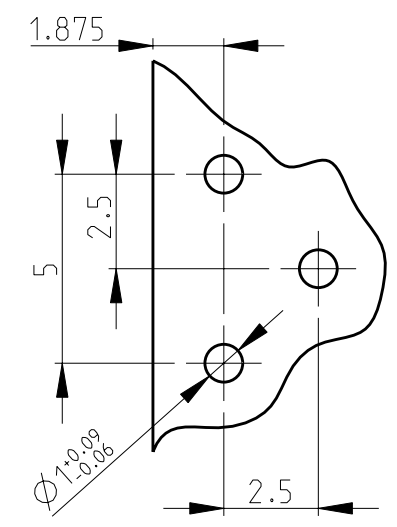


LOC	DIST	REVISIONS					
		P	LTR	DESCRIPTION	DATE	DWN	APVD
IS	-		A	SR10-0344-01	01AUG01	BL	KM
			B	ECR-07-028994	13AUG07	AN	DB



- 1) Mating face according to CECC 22230 and IEC 169-29
- 2) DIN ISO 8015; DIN ISO 2768-mH
- 3) Maximum dimension

Recommended PCB layout



Cross reference table				
Old part number	TE part number	Description	Material	Plating
V23614-A1230-A1	8-1393670-7	Outer conductor	Brass	min. 0.1µm Au over min. 2µm NiP
		Dielectrics	PEEK/PTFE	-
		Center conductor	CuBe/Bronze	min. 0.1µm Au over min. 2µm NiP

<small>THIS DRAWING IS A CONTROLLED DOCUMENT FOR TYCO ELECTRONICS CORPORATION. IT IS SUBJECT TO CHANGE AND THE CONTROLLING ENGINEERING ORGANIZATION SHOULD BE CONTACTED FOR THE LATEST REVISION.</small>		DWN 17MAY2001 <b>B. Lenvain</b> CHK 17MAY2001 <b>K. Mattheeuws</b> APVD 17MAY2001 <b>R. Leeman</b>	Tyco Electronics CH - Switzerland - Lugano	
DIMENSIONS: mm	TOLERANCES UNLESS OTHERWISE SPECIFIED: 0 PLC ± 1 PLC ± 2 PLC ± 3 PLC ± 4 PLC ± ANGLES ±	PRODUCT SPEC 108-71032 APPLICATION SPEC -	NAME Right angled jack 1.0/2.3 with press-in PCB connection	
MATERIAL -	FINISH -	WEIGHT -	SIZE A3 CAGE CODE 00779 DRAWING NO. C-8-1393670-7	RESTRICTED TO -
CUSTOMER DRAWING			SCALE -	SHEET 1 OF 1 REV B