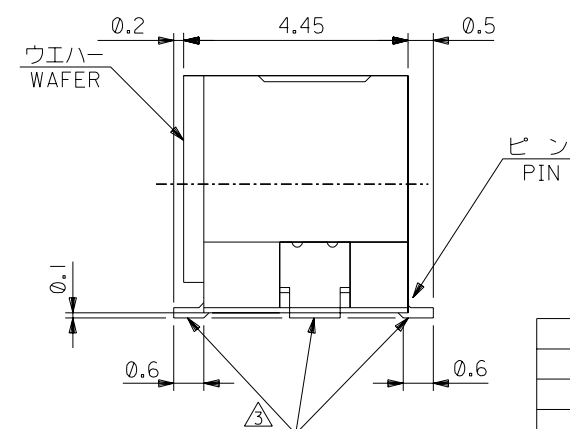
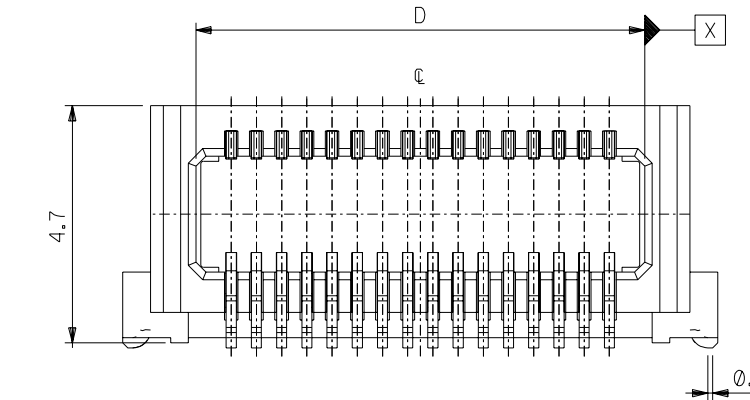
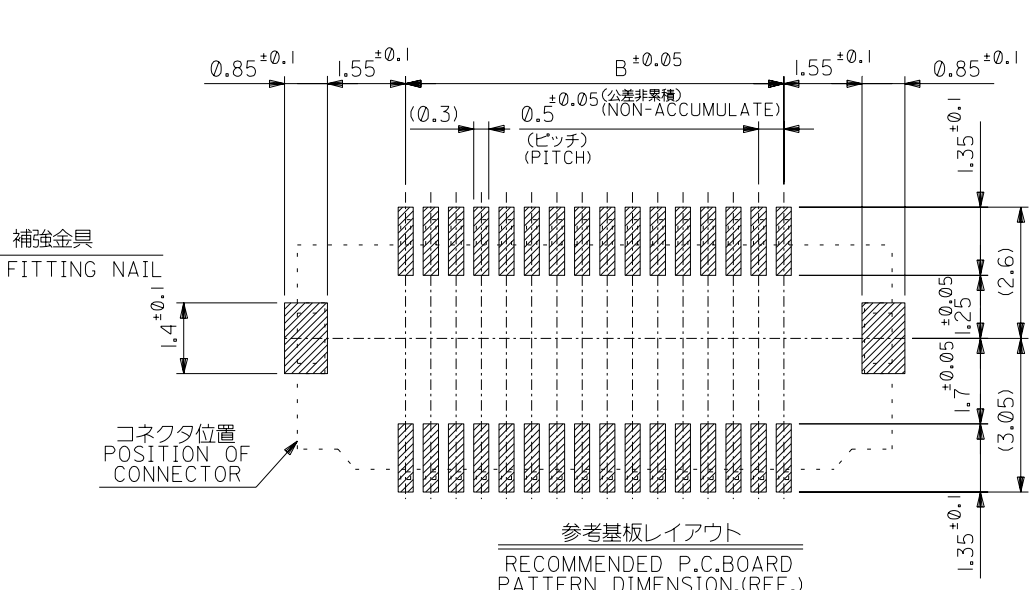
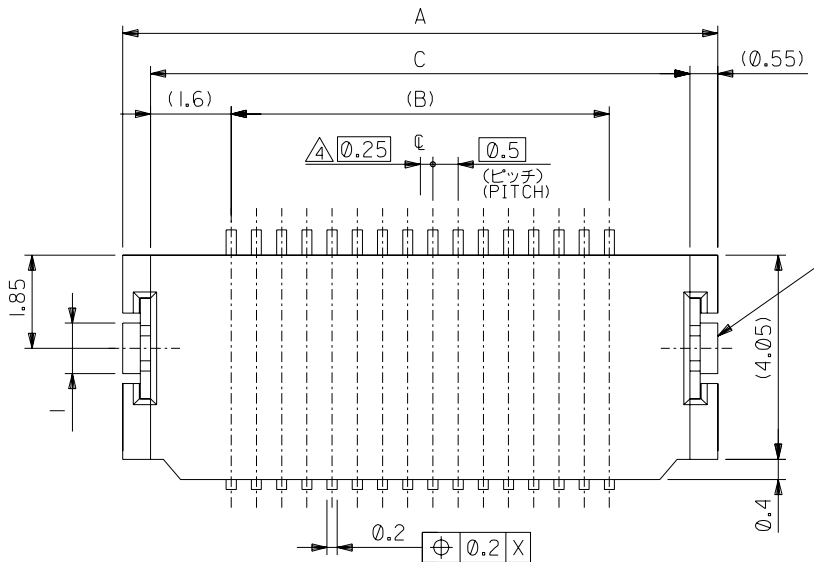


DWG. NO.
SD-55289-009



18.4	20.2	17.0	21.3	55289-0701	70
15.9	17.7	14.5	18.8	55289-0601	60
10.9	12.7	9.5	13.8	55289-0401	40
D	C	B	A	MATERIAL NO.	極数 CKT

DO NOT SCALE DRAWING

164 NO. DRWN: CH'K: APPR:	163 NO. DRWN: CH'K: APPR:	162 NO. DRWN: CH'K: APPR:	161 NO. DRWN: CH'K: APPR:	160 NO. J2004-1427 DRWN: K.SUZUKI '03/12/09 CH'K: M.SASAO '03/12/09 APPR: M.SASAO '03/12/09 RELEASED
MATERIAL 材料 注記参照 SEE NOTES				
FINISH 仕上げ 注記参照 SEE NOTES				
WIRE RANGE 適用線径範囲 //				
INS. RANGE 被覆外径 //				

GENERAL TOLERANCES: (UNLESS SPECIFIED) 一般公差	10 UNDER 未満 ±0.2	10 OVER 30 UNDER 未満 ±0.25	30 OVER 以上 ±0.3
SCALE 1:1	DESIGN UNITS <input checked="" type="checkbox"/> mm <input type="checkbox"/> INCH	DIMENSIONS: <input type="checkbox"/> mm <input type="checkbox"/> INCH <input checked="" type="checkbox"/> mm ONLY	
DRAWN BY & DATE K.SUZUKI '03/12/09	TITLE: 0.5 B-To-B Conn RA WAFER Assy W/NAIL W/LOCK -LEAD FREE-		
CHECKED BY & DATE M.SASAO '03/12/09	MOLEX INCORPORATED		
APPROVED BY & DATE M.SASAO '03/12/09	CAD FILENAME SD-55289-009.s01	MATERIAL NO. SEE CHART	DRAWING NO. SD-55289-009
SHEET NO. 1 OF 2		SIZE B	

MODEL NO. 55289-***1	DIMENSIONS: <input type="checkbox"/> mm <input type="checkbox"/> INCH <input checked="" type="checkbox"/> mm ONLY	SHT 2 REV 01
CAD FILENAME SD-55289-009.s01		
MATERIAL NO. SEE CHART		
DRAWING NO. SD-55289-009		
SHEET NO. 1 OF 2		
SIZE B		

*BIBS DRAWING CONTAINS INFORMATION THAT IS PROPRIETARY TO MOLEX INCORPORATED AND SHOULD NOT BE USED WITHOUT WRITTEN PERMISSION.

SD-55289-009.s01

DWG. NO. SD-55289-009

8

7

6

5

4

3

2

1

F

D

V

C

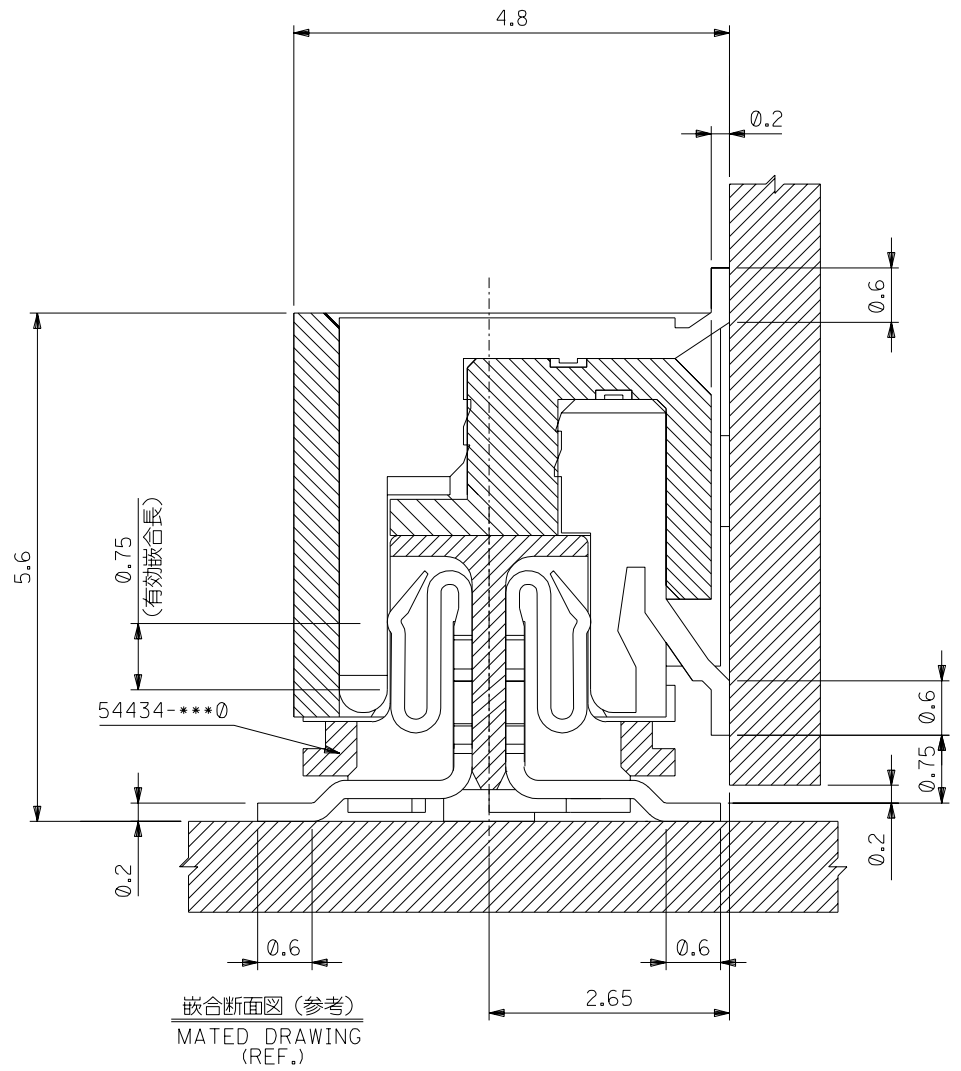
B

注記 NOTES:

- 材質 MATERIAL

ハウジング : LCP, (UL94V-0)	HOUSING : LCP, UL94V-0
ピン : 黄銅 (t=0.2)	PIN : BRASS
補強金具 : 黄銅 (t=0.2)	FITTING NAIL : BRASS
- メッキ仕様 PLATING

ピン : ニッケル下地金メッキ	
PIN : Au OVER Ni PLATING	
補強金具 : ニッケル下地錫メッキ	
FITTING NAIL: Sn OVER Ni PLATING	
- △ テールとネイルの相互のばらつきは0.1以下。
MISALIGNMENT OF SOLDER TAIL AND FITTING NAIL
OFFSET BETWEEN UPPER AND LOWER : 0.1 MAXIMUM.
- △ (極数/2) = 偶数の場合に適用。
APPLY FOR (CIRCUIT/2)=EVEN.
- 嵌合相手 : 54434シリーズ。
MATES WITH 54434 SERIES.
- 一对の基板の嵌合に於いて、本製品を2個以上使用することは推奨致し兼ねます。
MXJ DOES NOT RECOMMEND THE USAGE OF TWO OR MORE OF
THESE CONNECTORS BETWEEN A SINGLE PAIR OF P.C.BOARD.
- 本製品は55289-***0の鉛フリー製品です。



DO NOT SCALE DRAWING

164 NO. DRWN: CH'K: APPR:		163 NO. DRWN: CH'K: APPR:		162 NO. DRWN: CH'K: APPR:		161 NO. DRWN: CH'K: APPR:		RELEASED 160 NO. J2004-1427 DRWN: K.SUZUKI '03/12/09 CH'K: M.SASAO '03/12/09 APPR: M.SASAO '03/12/09		MATERIAL 材料 注記参照 SEE NOTES		GENERAL TOLERANCES: (UNLESS SPECIFIED) 一般公差		MODEL NO. 55289-***1		DIMENSIONS:		SHT REV					
										FINISH 仕上げ 注記参照 SEE NOTES		10 UNDER 未満 ±0.2 10 OVER 30 UNDER 未満 ±0.25 30 OVER 以上 ±0.3		SCALE -- DESIGN UNITS <input checked="" type="checkbox"/> mm <input type="checkbox"/> INCH		<input checked="" type="checkbox"/> FIRST ANGLE PROJECTION		<input type="checkbox"/> mm <input type="checkbox"/> INCH		<input checked="" type="checkbox"/> mm ONLY		<input type="checkbox"/> REVISE ON CAD ONLY	
										WIRE RANGE 適用電線範囲 //		ANGLE 角度 *3°		DRAWN BY & DATE K.SUZUKI '03/12/09		TITLE: 0.5 B-To-B Conn RA WAFER Assy W/NAIL W/LOCK -LEAD FREE-							
										INS. RANGE 被覆外径 //				CHECKED BY & DATE M.SASAO '03/12/09		MOLEX MOLEX INCORPORATED							
												CAD FILENAME SD-55289-009.s02		MATERIAL NO. SEE CHART		DRAWING NO. SD-55289-009		SHEET NO. 2 OF 2					
														2D/3D DRAWING CONTAINS INFORMATION THAT IS PROPRIETARY TO MOLEX INCORPORATED AND SHOULD NOT BE USED WITHOUT WRITTEN PERMISSION.				SIZE B					

8

7

6

5

4

3

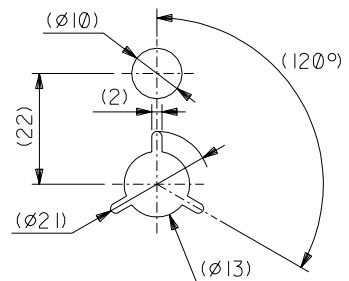
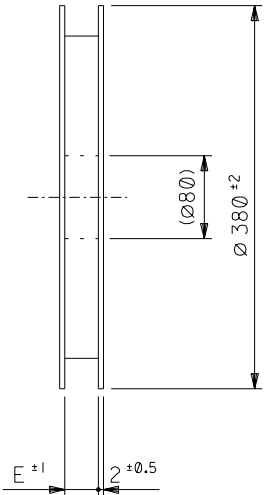
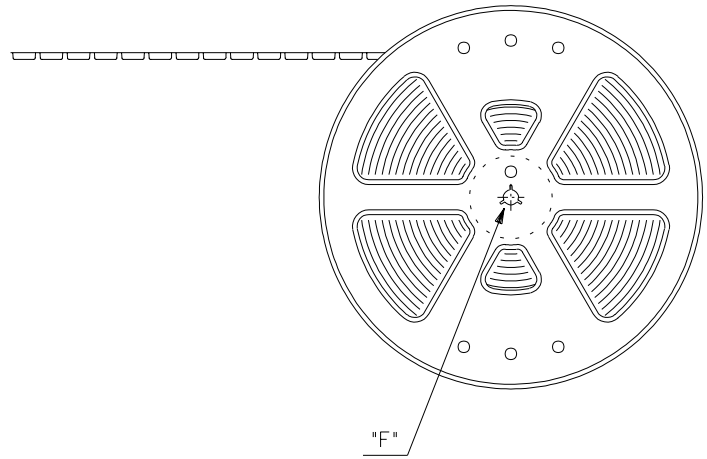
2

EN-02J(097) MXJ-54

SD-55289-009.s02

DWG. NO. SD-55289-010

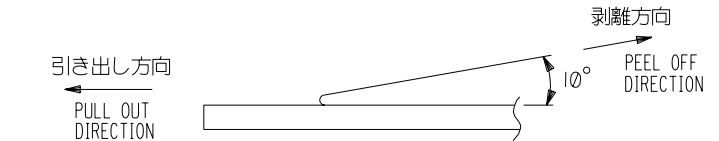
引き出し方向
PULL OUT
DIRECTION



DETAIL "F"

注記 NOTES

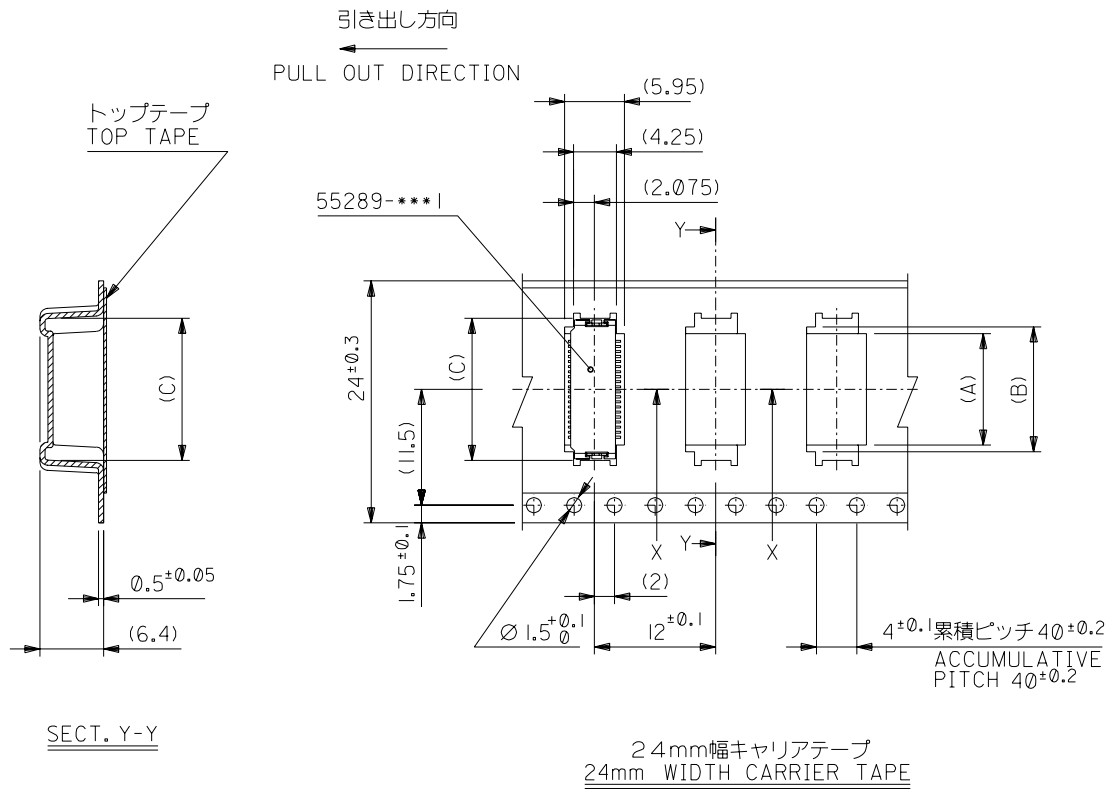
- 製品詳細寸法については図面 SD-55289-009 を参照下さい。
RE DETAILED DIMENSION, SEE SD-55289-009
- 梱包数量：1000個/リール
NUMBER OF CONNECTORS：1000PCS/REEL
- リードテープ長さ LEAD TAPE LENGTH
20PCS MINIMUM
トップテープ接着部 (空エンボス)
TOP TAPE BONDED PART. (EMPTY)
部品挿入部
COMPONENT
SUPPLIER
末端部 (空部)
TAIL PART
(EMPTY)
40 MINIMUM
- トップテープの剥離強度：0.1N ~ 1.3N (10gf ~ 130gf)
(剥離方向は下図参照)
尚、本規格値は出荷時に適用。(但し、輸送時に剥離が発生しないこと。)
PEELING OFF FORCE OF TOP TAPE：0.1N ~ 1.3N (10gf ~ 130gf)
(PEELING DIRECTION AS SHOWN IN FOLLOWING FIG.)
THIS REQUIREMENT SHOULD BE APPLIED AT SHIPMENT.
PEEL OFF SHOULD NOT BE ALLOWED, DURING TRANSPORTATION.
- 材料 (MATERIAL)
キャリアテープ (CARRIER TAPE)：ポリプロピレン (POLYPROPYLENE)
トップテープ (TOPTAPE)：PET, PE, PEF
リール (REEL)：ポリスチレン (PS) <リサイクル材を含む>
POLYSTYREN (PS) <RECYCLE MATERIAL CONTAINED>
- 本製品は 55289-***9 の鉛フリー製品です。



DO NOT SCALE DRAWING

164 NO. DRWN: CH'K: APPR: 163 NO. DRWN: CH'K: APPR: 162 NO. DRWN: CH'K: APPR: 161 NO. DRWN: CH'K: APPR:		160 NO. J2004-1427 DRWN: K.SUZUKI '03/12/09 CH'K: M.SASAO '03/12/09 APPR: M.SASAO '03/12/09 RELEASED	MATERIAL 材料 注記参照 SEE NOTES	GENERAL TOLERANCES: (UNLESS SPECIFIED) 一般公差 10 UNDER 未満 30 UNDER 未満 30 OVER 以上 ANGLE 角度	SCALE 1/1 DESIGN UNITS <input checked="" type="checkbox"/> mm <input type="checkbox"/> INCH DRAWN BY & DATE K.SUZUKI '03/12/09 CHECKED BY & DATE M.SASAO '03/12/09 APPROVED BY & DATE M.SASAO '03/12/09 CAD FILENAME SD-55289-010.S01	MODEL NO. 55289-***8 DIMENSIONS: <input type="checkbox"/> mm <input type="checkbox"/> INCH <input checked="" type="checkbox"/> mm <input type="checkbox"/> INCH ONLY SHT 1 OF 4 REV TITLE: 0.5 B+B Conn RA WAFER Assy W/NAIL W/LOCK Embstp pkg -LEAD FREE- MOLEX MOLEX INCORPORATED	MATERIAL NO. SEE CHART DRAWING NO. SD-55289-010 SHEET NO. 1 OF 4 SIZE B
WIRE RANGE 適用電線範囲 INS. RANGE 被覆外径		FINISH 仕上げ //	WIRE RANGE 適用電線範囲 //	ANGLE 角度 3°	DRAWING CONTAINS INFORMATION THAT IS PROPRIETARY TO MOLEX INCORPORATED AND SHOULD NOT BE USED WITHOUT WRITTEN PERMISSION.	EN-02J(097) MXJ-54	

DWG. NO.
SD-55289-010



SECT. Y-Y

SECT. X-X

24mm幅キャリアテープ
24mm WIDTH CARRIER TAPE

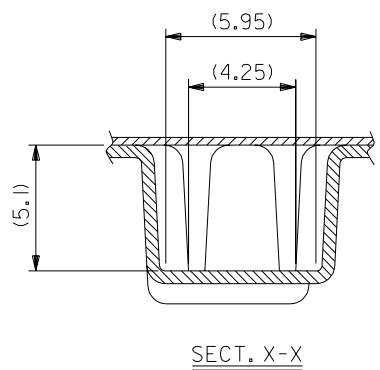
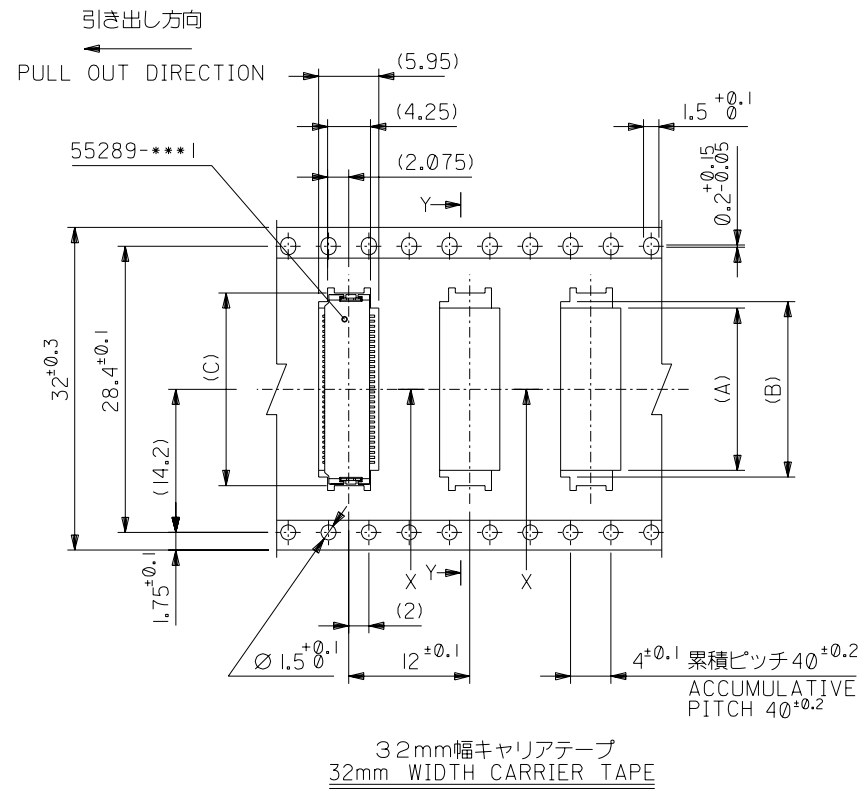
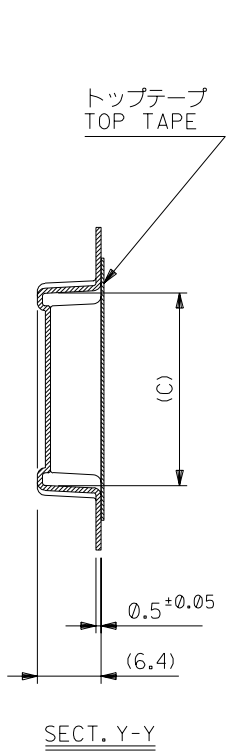
24	25.5	14.1	12.4	11.1	55289-0408	40
キャリアテープ幅	E	C	B	A	MATERIAL NO.	極数 CKT

DO NOT SCALE DRAWING

264 NO. DRWN: CH'K: APPR: 263 NO. DRWN: CH'K: APPR: 262 NO. DRWN: CH'K: APPR: 261 NO. DRWN: CH'K: APPR:	260 NO. J2004-1427 DRWN: K.SUZUKI '03/12/09 CH'K: M.SASAO '03/12/09 APPR: M.SASAO '03/12/09	MATERIAL 材料 FINISH 仕上げ WIRE RANGE 適用電線範囲 INS. RANGE 被覆外径	注記参照 SEE NOTES //	GENERAL TOLERANCES: (UNLESS SPECIFIED) 一般公差	SCALE //	DESIGN UNITS <input checked="" type="checkbox"/> mm <input type="checkbox"/> INCH	MODEL NO. 55289-***8	DIMENSIONS: <input type="checkbox"/> mm <input type="checkbox"/> INCH <input checked="" type="checkbox"/> mm ONLY	SHT 2 OF 4	REV B
				10 UNDER 未満 ±0.2 10 OVER 30 UNDER 未満 ±0.25 30 OVER 以上 ±0.3 ANGLE 角度 ±3°	DRAWN BY & DATE K.SUZUKI '03/12/09 CHECKED BY & DATE M.SASAO '03/12/09 APPROVED BY & DATE M.SASAO '03/12/09 CAD FILENAME SD-55289-010.S01	TITLE: 0.5 B+B Conn RA WAFER Assy W/NAIL W/LOCK Embstp pkg -LEAD FREE- MOLEX INCORPORATED	MATERIAL NO. SEE CHART	DRAWING NO. SD-55289-010	SHEET NO. 2 OF 4	SIZE B

THIS DRAWING CONTAINS INFORMATION THAT IS PROPRIETARY TO MOLEX INCORPORATED AND SHOULD NOT BE USED WITHOUT WRITTEN PERMISSION.

DWG. NO. SD-55289-010



32	33.5	19.1	17.4	16.1	55289-0608	60
キャリアテープ幅	E	C	B	A	MATERIAL NO.	極数 CKT

DO NOT SCALE DRAWING

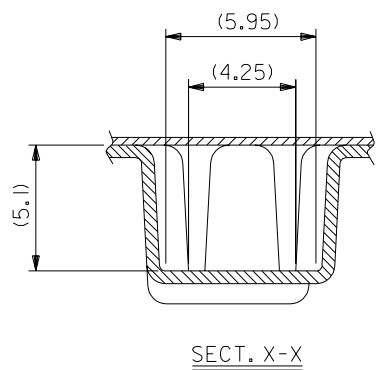
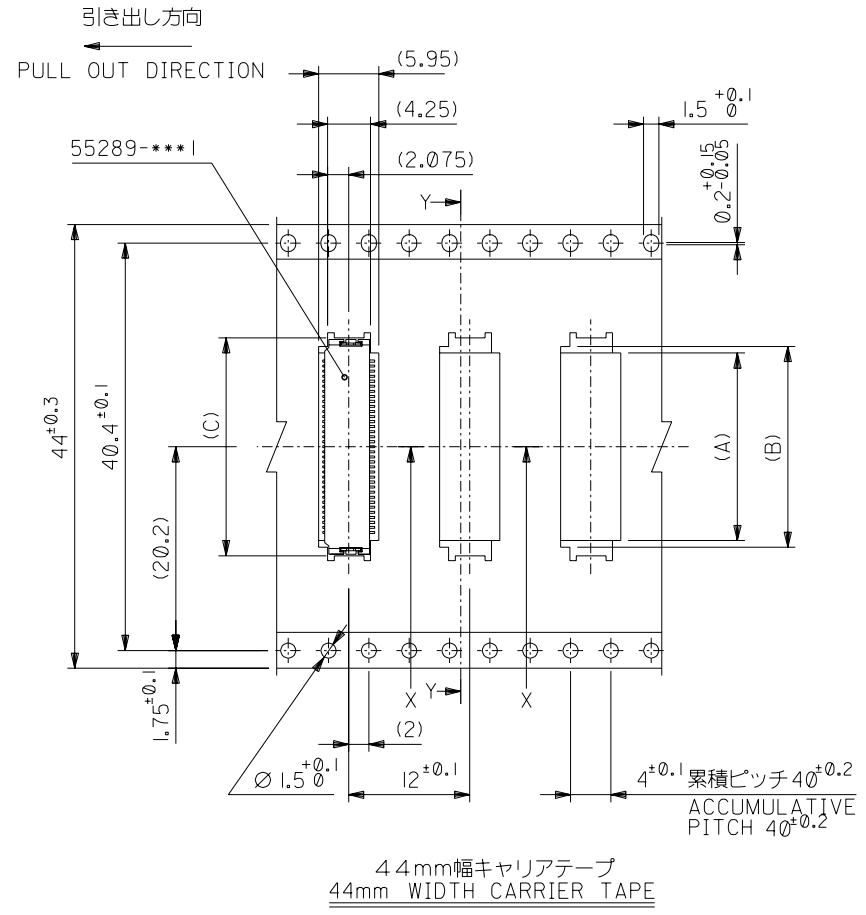
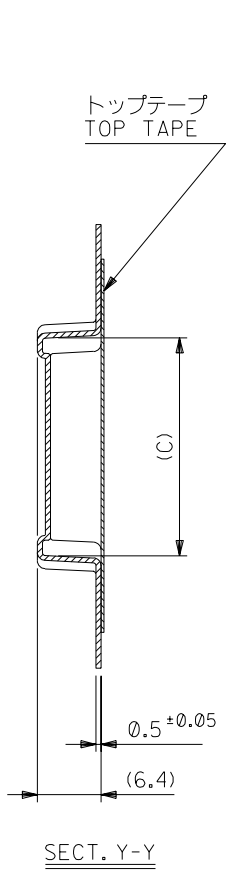
64 NO. DRWN: CH'K: APPR:	63 NO. DRWN: CH'K: APPR:	62 NO. DRWN: CH'K: APPR:	61 NO. DRWN: CH'K: APPR:	RELEASED 60 NO. J2004-1427 DRWN: K.SUZUKI '03/12/09 CH'K: M.SASAO '03/12/09 APPR: M.SASAO '03/12/09
-----------------------------	-----------------------------	-----------------------------	-----------------------------	---

MATERIAL 材料	注記参照 SEE NOTES
FINISH 仕上げ	//
WIRE RANGE 適用電線範囲	//
INS. RANGE 被覆外径	//

GENERAL TOLERANCES: (UNLESS SPECIFIED) 一般公差	SCALE //	DESIGN UNITS <input checked="" type="checkbox"/> mm <input type="checkbox"/> INCH	FORWARD ANGLE PROJECTION <input checked="" type="checkbox"/> FIRST ANGLE <input type="checkbox"/> THIRD ANGLE
10 UNDER 未満	±0.2	DRAWN BY & DATE K.SUZUKI '03/12/09	TITLE: 0.5 B+B Conn RA WAFER Assy W/NAIL W/LOCK Emb+tp pkg -LEAD FREE-
10 OVER 以上 30 UNDER 未満	±0.25	CHECKED BY & DATE M.SASAO '03/12/09	
30 OVER 以上	±0.3	APPROVED BY & DATE M.SASAO '03/12/09	
ANGLE 角度	±3°	CAD FILENAME SD-55289-010.S03	MATERIAL NO. SEE CHART

MODEL NO. 55289-***8	DIMENSIONS: <input type="checkbox"/> mm <input type="checkbox"/> INCH <input checked="" type="checkbox"/> mm ONLY	SHT 2	REV 1
MOLEX INCORPORATED DRAWING NO. SD-55289-010 SHEET NO. 3 OF 4			
THIS DRAWING CONTAINS INFORMATION THAT IS PROPRIETARY TO MOLEX INCORPORATED AND SHOULD NOT BE USED WITHOUT WRITTEN PERMISSION.			

DWG. NO. SD-55289-010



44	45.5	21.6	19.9	18.6	55289-0708	70
キャリアテープ幅	E	C	B	A	MATERIAL NO.	極数 CKT

DO NOT SCALE DRAWING

①64 NO. DRWN: CH'K: APPR:	①63 NO. DRWN: CH'K: APPR:	①62 NO. DRWN: CH'K: APPR:	①61 NO. DRWN: CH'K: APPR:	①60 NO. J2004-1427 DRWN: K.SUZUKI '03/12/09 CH'K: M.SASAO '03/12/09 APPR: M.SASAO '03/12/09 RELEASED
------------------------------	------------------------------	------------------------------	------------------------------	--

MATERIAL 材料 注記参照 SEE NOTES	GENERAL TOLERANCES: (UNLESS SPECIFIED) 一般公差	SCALE 1:1	DESIGN UNITS <input checked="" type="checkbox"/> mm <input type="checkbox"/> INCH	DIMENSIONS: <input type="checkbox"/> mm <input type="checkbox"/> INCH <input checked="" type="checkbox"/> mm ONLY	SHT 22	REV 01
FINISH 仕上げ //	WIRE RANGE 適用線径範囲 //	10 UNDER 未満 30 UNDER 未満	±0.2 ±0.25 ±0.3	DRAWN BY & DATE K.SUZUKI '03/12/09	CHECKED BY & DATE M.SASAO '03/12/09	APPROVED BY & DATE M.SASAO '03/12/09
INS. RANGE 被覆外径 //	ANGLE 角度 ±3°	30 OVER 以上	±0.5	TITLE: 0.5 BtB Conn RA WAFER Assy W/NAIL W/LOCK Embstp pkg -LEAD FREE-	MOLEX INCORPORATED	CAD FILENAME SD-55289-010.S04

MODEL NO. 55289-***8	MATERIAL NO. SEE CHART	DRAWING NO. SD-55289-010	SHEET NO. 4 OF 4
THIS DRAWING CONTAINS INFORMATION THAT IS PROPRIETARY TO MOLEX INCORPORATED AND SHOULD NOT BE USED WITHOUT WRITTEN PERMISSION.			