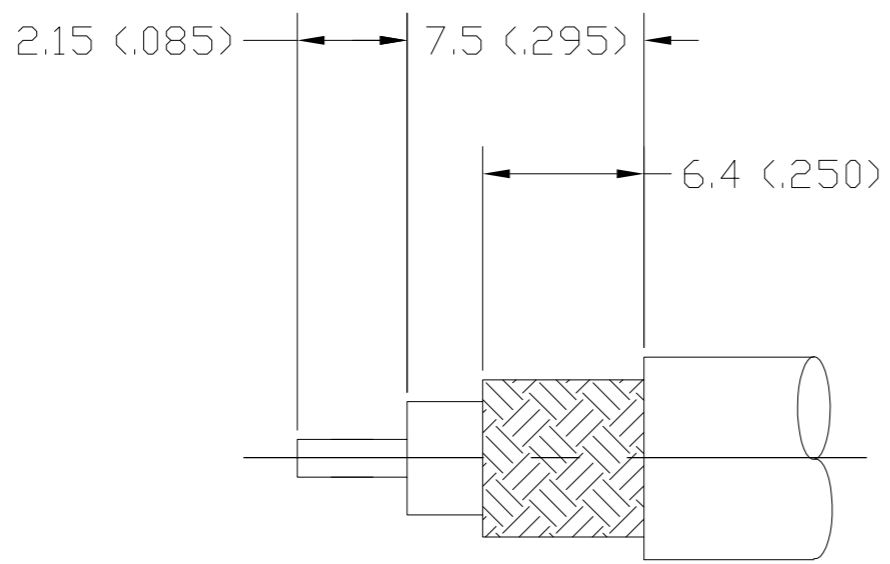
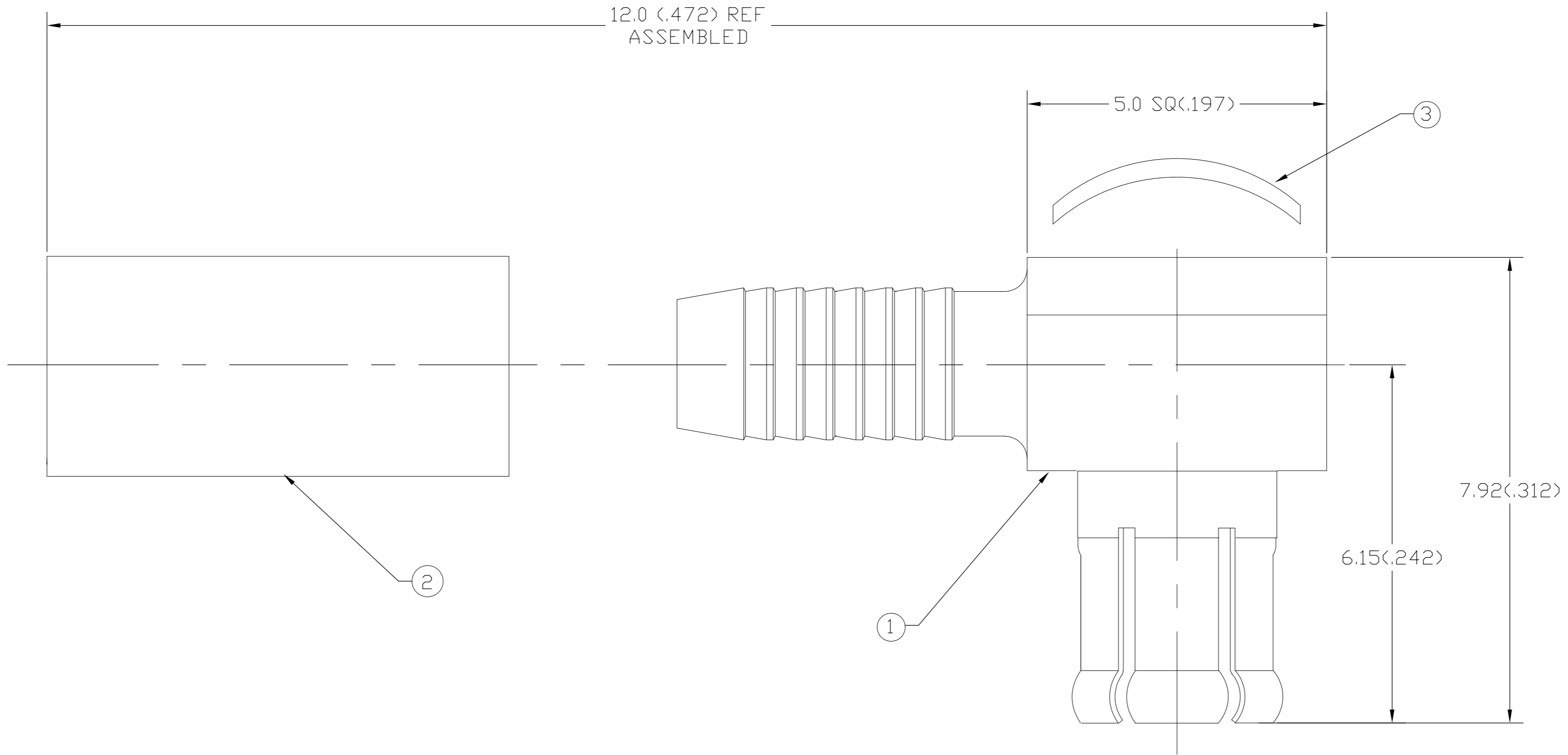


THIS DRAWING IS UNPUBLISHED. RELEASED FOR PUBLICATION
 © COPYRIGHT - By - ALL RIGHTS RESERVED.

LOC	DIST	REVISIONS			
P	LTR	DESCRIPTION	DATE	DWN	APVD
AJ	00	F	REV PER ECO-13-011283	09DEC2013	G.C M.Y



CABLE TRIM DIMENSIONS

	RD316	GOLD	3-1403081-6	3-413889-2	1408228-4	1363301-2
OBSOLETE	RD316	NICKEL	3-1403081-3	2-413889-7	1408228-3	1363301-1
	CABLE SIZE	HOUSING PLATE	CAP ③ QTY=1	FERRULE ② QTY=1	HSG ASSY ① QTY=1	PART NUMBER

THIS DRAWING IS A CONTROLLED DOCUMENT.		DWN	12MAR01	TE TE Connectivity
DIMENSIONS: mm [INCHES]		CHK	12MAR01	
TOLERANCES UNLESS OTHERWISE SPECIFIED:		APVD	12MAR01	
0 PLC ± - 1 PLC ± - 2 PLC ± .13 3 PLC ± - 4 PLC ± - ANGLES ± 1°		PRODUCT SPEC		
MATERIAL		APPLICATION SPEC	408-8328	NAME
FINISH		WEIGHT	-	MCX RIGHT ANGLE CABLE PLUG CRIMP/SOLDER
CUSTOMER DRAWING		SIZE	A2	RESTRICTED TO
		CAGE CODE	00779	
		DRAWING NO	C=1363301	
		SCALE	20:1	
		SHEET	1 of 1	
		REV	F	