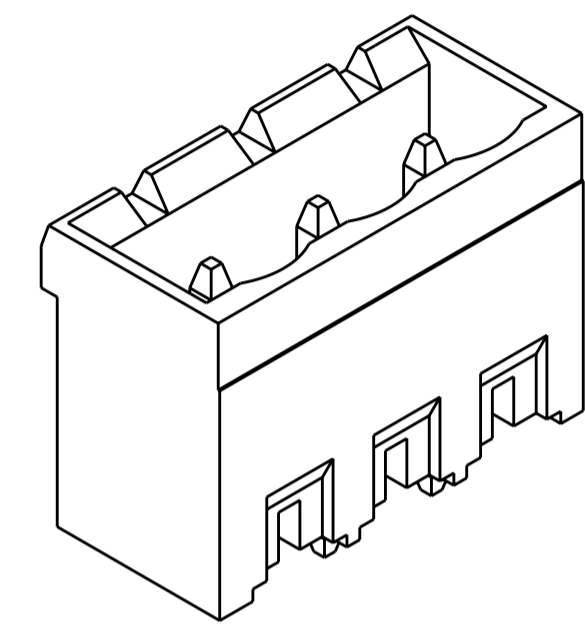
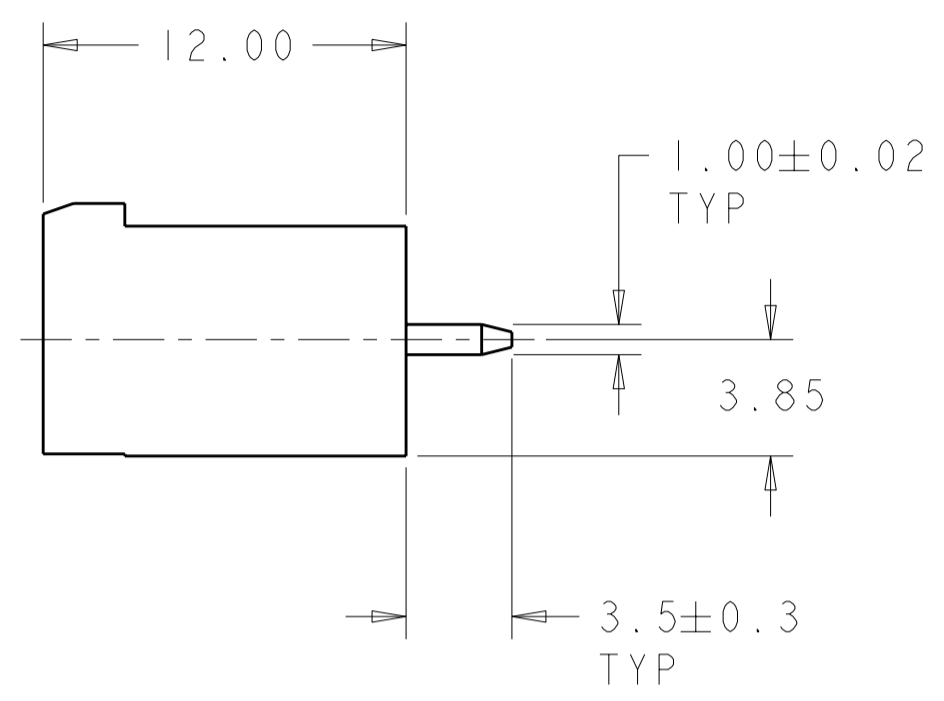
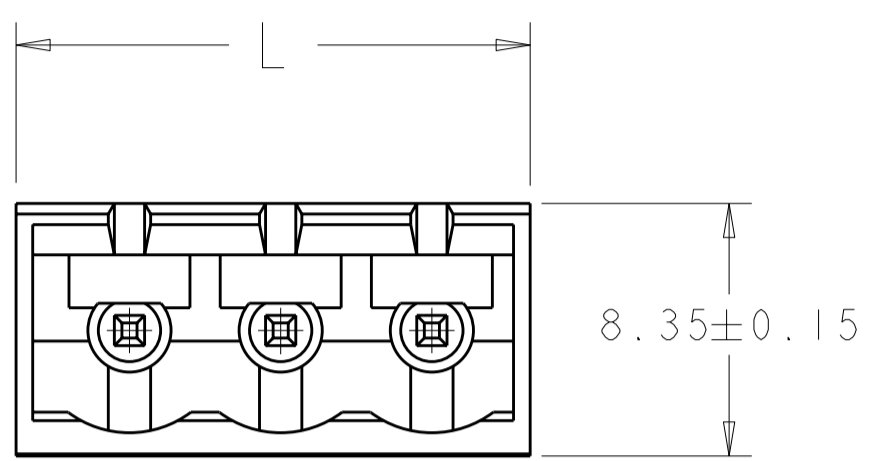
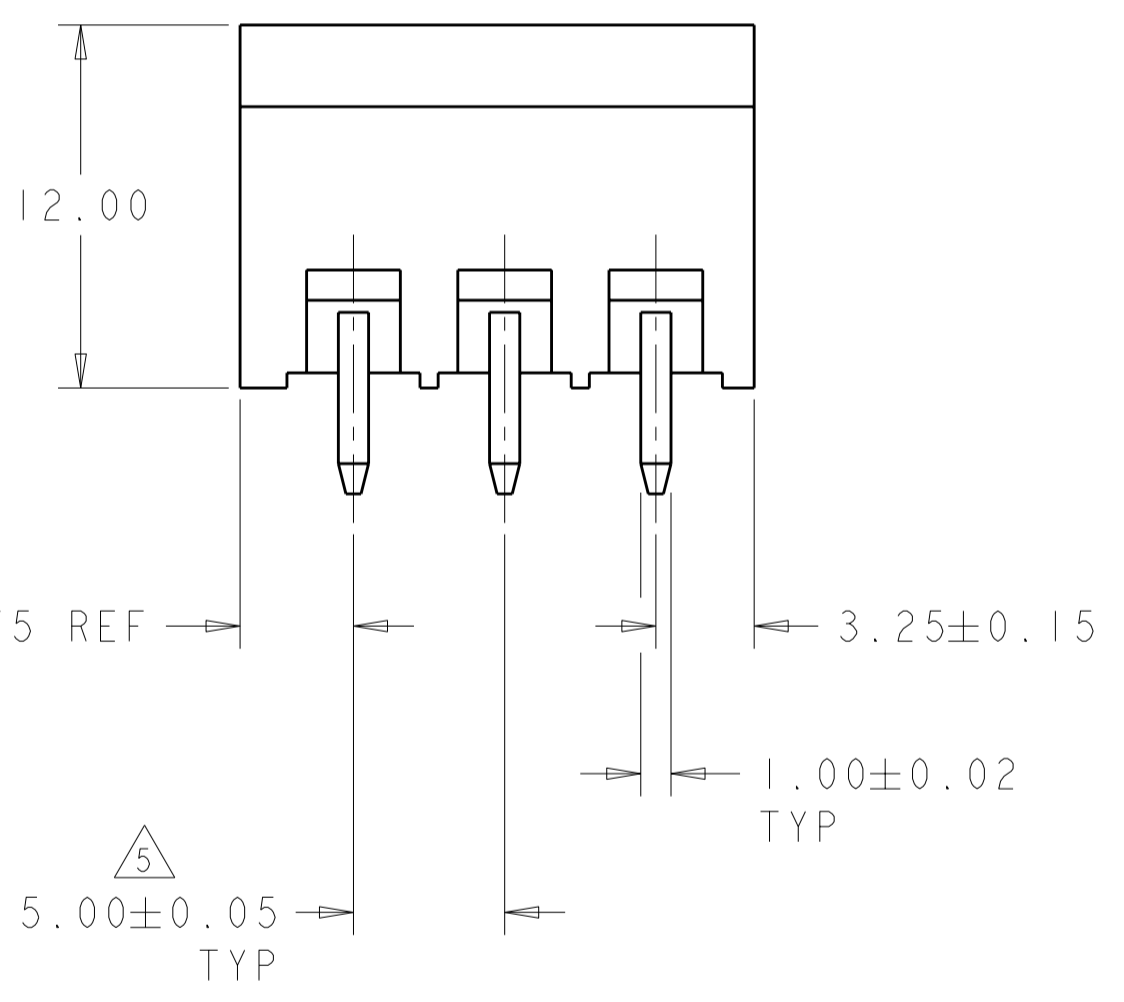


THIS DRAWING IS UNPUBLISHED. RELEASED FOR PUBLICATION 20
 © COPYRIGHT 20 BY - ALL RIGHTS RESERVED.

LOC		DIST		REVISIONS			
P	LTR	DESCRIPTION	DATE	DWN	APVD		
	A2	REVISED PER ECO-12-007711	25APR2012	KH	MS		



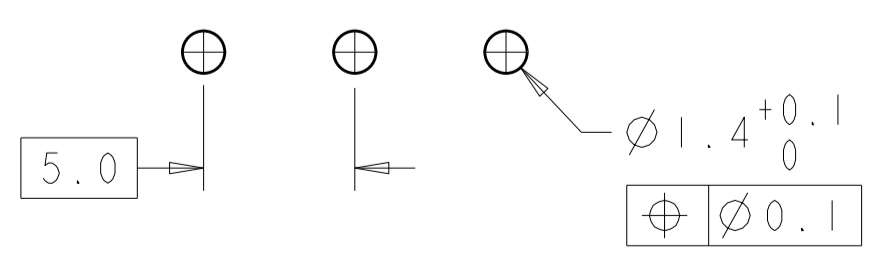
796643-3 AS SHOWN



- ⚠ MATERIALS AND FINISH:
 HOUSING: PA 6-6, UL 94-V0, COLOR: BLACK.
 TERMINAL: COPPER ALLOY, TIN PLATED.
- SUITABLE FOR 1,6-2, 4mm PC BOARD THICKNESS.
 - RECOGNIZED UNDER THE COMPONENT PROGRAM OF UNDERWRITERS LABORATORIES INC. FILE N° E60677.
 - IMQ CERTIFICATE WITH SURVEILLANCE IN CONFORMITY WITH IEC 998-1/998-2-1.)

⚠ NOT CUMULATIVE TOLERANCE

127.0	25	2-796643-5
122.0	24	2-796643-4
117.0	23	2-796643-3
112.0	22	2-796643-2
107.0	21	2-796643-1
102.0	20	2-796643-0
97.5	19	1-796643-9
92.0	18	1-796643-8
87.0	17	1-796643-7
82.0	16	1-796643-6
77.0	15	1-796643-5
72.0	14	1-796643-4
67.0	13	1-796643-3
62.0	12	1-796643-2
57.0	11	1-796643-1
52.0	10	1-796643-0
47.0	9	796643-9
42.0	8	796643-8
37.0	7	796643-7
32.0	6	796643-6
27.0	5	796643-5
22.0	4	796643-4
17.0	3	796643-3
12.0	2	796643-2
DIM L	NO OF POSN	PART NUMBER



RECOMMENDED PC BOARD LAYOUT

THIS DRAWING IS A CONTROLLED DOCUMENT.		DWN S.WELDON 19OCT2000	TE Connectivity	
DIMENSIONS: mm		CHK D.BIEVENOUR 19OCT2000		
TOLERANCES UNLESS OTHERWISE SPECIFIED:		APVD D.BIEVENOUR 19OCT2000		
0 PLC ±- 1 PLC ±0.2 2 PLC ±- 3 PLC ±- 4 PLC ±- ANGLES ±- FINISH ±-		PRODUCT SPEC - APPLICATION SPEC - WEIGHT -		
MATERIAL		CUSTOMER DRAWING	NAME: TERMI-BLOK HEADER ASSEMBLY, 180 DEGREE, CLOSED ENDS, 5.00mm PITCH	
		SCALE: 4:1	SIZE: A2	RESTRICTED TO: -
		SHEET: 1	DRAWING NO: 796643	REV: A2